

EXPLOSIONSZEICHNUNG



KBS Gastrotechnik GmbH – Schoßbergstraße 26 – 65201 Wiesbaden

3.4.2 TP-12/E Portable - TP-15/E Portable

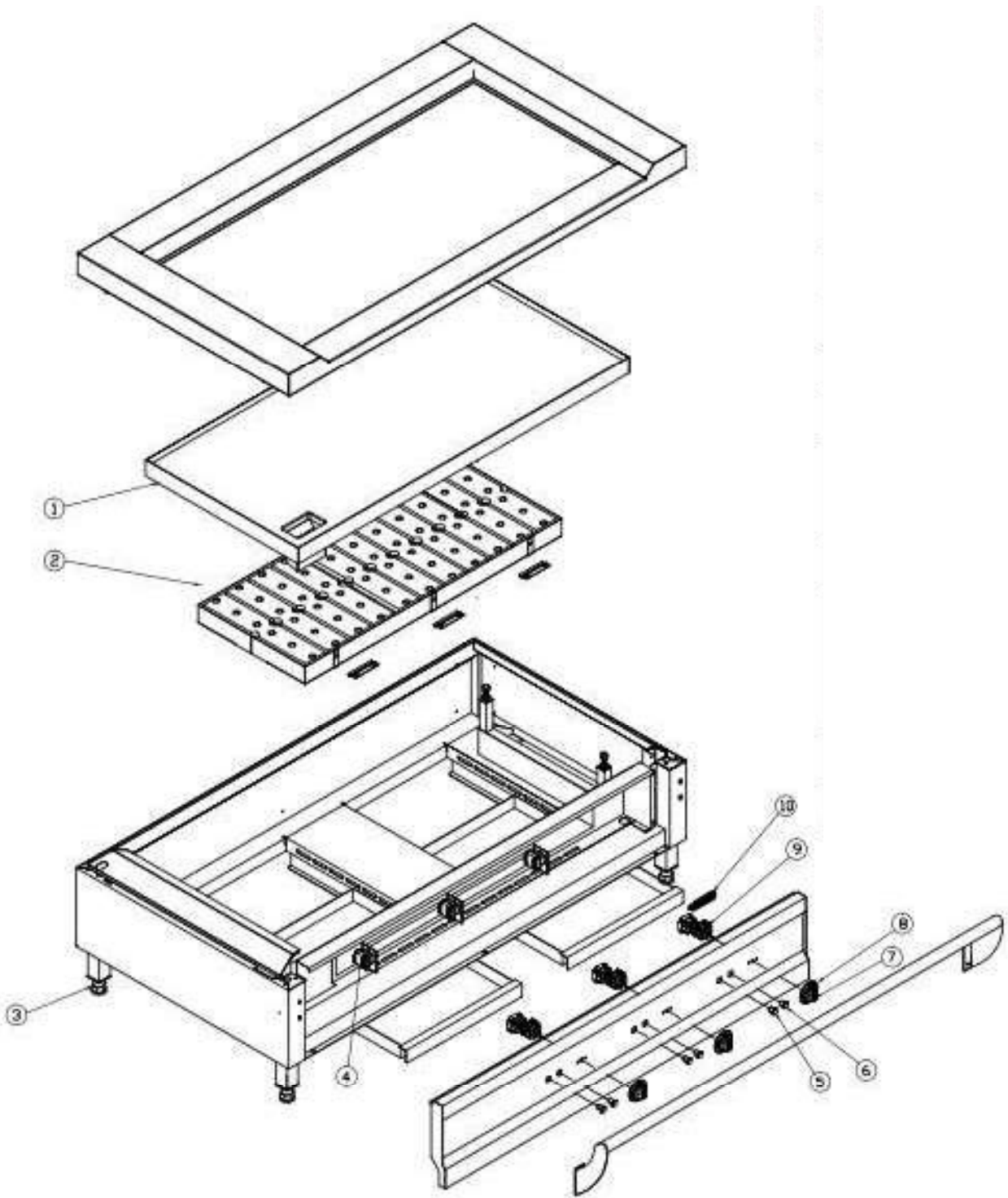


Abb. 7

Tabelle 4 :

NO	CODE	BAUTEIL	TP-12/E	TP-15/E
1	GS.4082D-1	Assy Electric Griddle Plate TP-12/E	1	-
	GS.4083E	Assy Electric Griddle Plate TP-15/E	-	1
2	PD.211J	Die Cast Heater 1.3 kW/230V	9	11
3	SS.2016	Adjustable Legs 40x40mm Grey Polyamide	4	4
4	PD.412GB	Safety Thermostat 3 Pole	2	3
5	PD.414KB-1	Pilot Light Green 230V	2	3
6	PD.414JB-1	Pilot Light Yelow 230V	2	3
7	PD.G021A	Nayati Electric Knob	2	3
	PD.G024	Seal f/ Electric Knob	2	3
8	PD.G021A-12	Ring Electric Knob 50-250°C	2	3
9	PD.412CG	Thermostat on-off 3 Pole	2	3
	PD.412Q-1	Rotary Switch 2 Pole	2	3
	PD.E041	Connecting Bow	2	3
10	SS.2039	Terminal Power	1	1