

EXPLOSIONSZEICHNUNG



KBS Gastrotechnik GmbH – Schoßbergstraße 26 – 65201 Wiesbaden

TP-JG-12/G P & TP-JG-15/G P

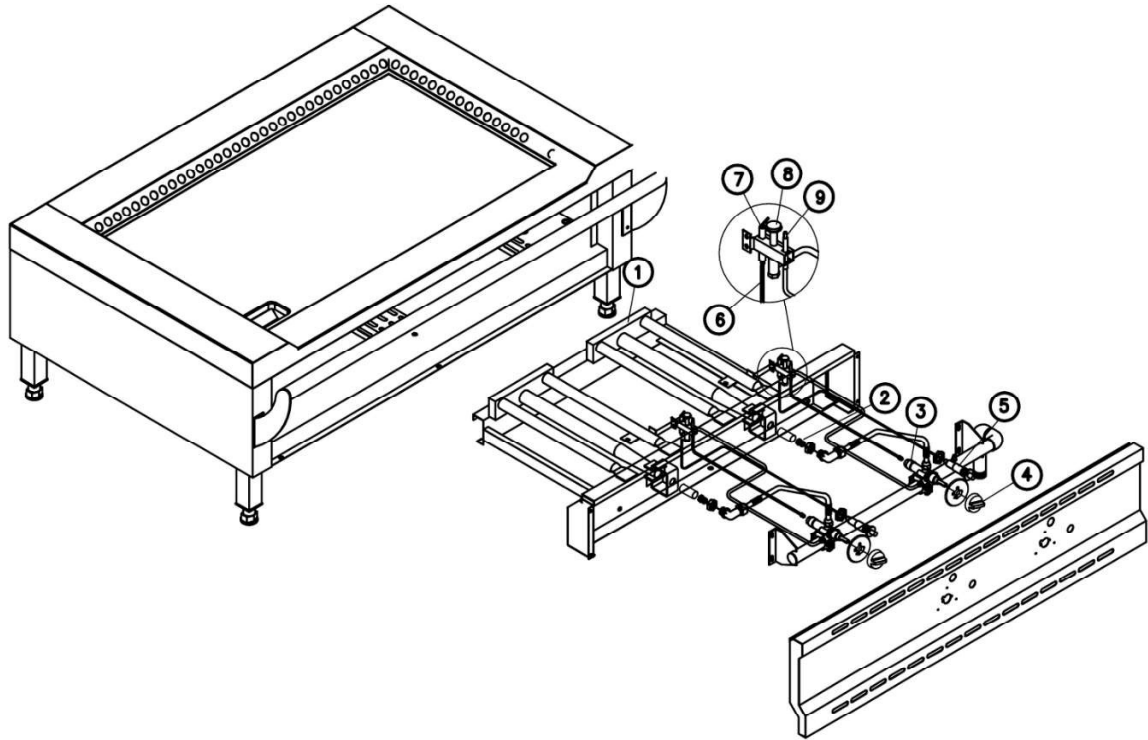


Abb. 6

Tabelle 9:

NO	CODE	BAUTEIL	ANZAHL	
			TP-JG-12/G P	TP-JG-15/G P
1	GS.3652	Burner NGFT NAY-0008	2	3
2	GS.2865	Nozzle w/ Stamp Oven Burner Ø 2.05 (Natural Gas)	2	3
	GS.2868	Nozzle w/ Stamp Oven Burner Ø 1.35 (LPG)	2	3
3	GS.387D	Gas Valve w/Bracket	2	3
4	PD.G019A	Gas Knob dia.8mm	2	3
	PD.G019A-1	Ring Gas Knob 21S	2	3
	PD.G025	Seal f/Gas Knob	2	3
5	GS.3720B	Piezzo Igniter dia.18mm	2	3
6	GS.3682A	Cable f/ Electrode Igniter 600mm	2	3
7	GS.3856	Piezzo Spark Plug	2	3
8	GS.3851	Bunsen Pilot 3F/ 3H 0.20 LPG	2	3
9	GS.3895B	Thermocouple 9x1 600 mm	2	3