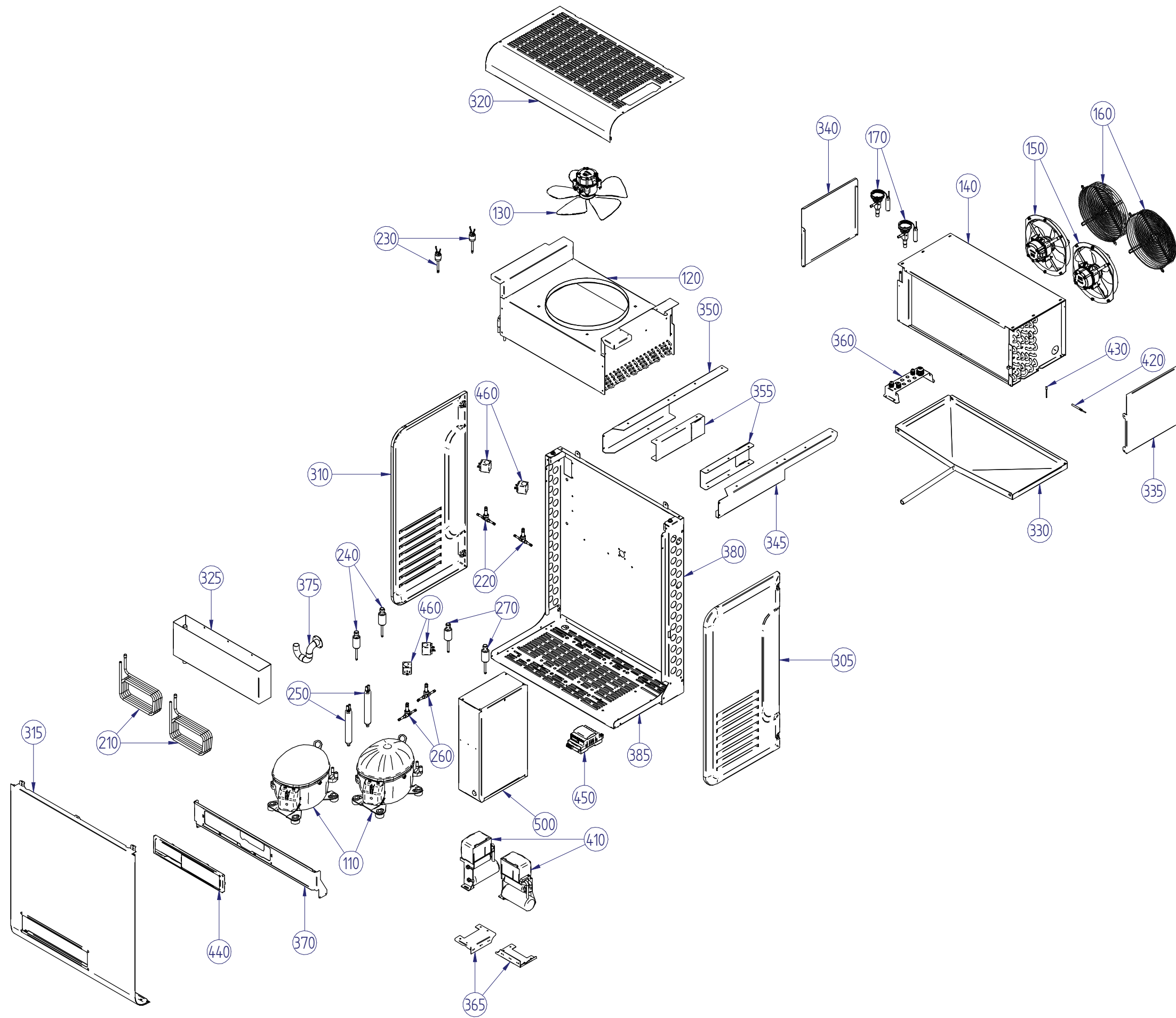


EXPLOSIONSZEICHNUNG



KBS Gastrotechnik GmbH – Schoßbergstraße 26 – 65201 Wiesbaden



RIVACOLD

MASTERING COLD

GRUPPO GROUP	POSIZIONE POSITION	COMPONENTE COMPONENT	BEWx302MA50P11	BEWx302LA50P11	BEWx302MA50P12	BEWx302LA50P12
			CODICE - CODE	CODICE - CODE	CODICE - CODE	CODICE - CODE
COMPONENTI PRINCIPALI PRINCIPAL COMPONENTS	110	COMPRESSORE - COMPRESSOR	NEU6220U-A-CSR	NT2180U-A-CSR	NEU6220U-A-CSR	NT2180U-A-CSR
	120	CONDENSATORE - CONDENSER	1840510PSOUL	1840510PSOUL	1840510PSOUL	1840510PSOUL
			1840510PSOUL-CN*	1840510PSOUL-CN*	1840510PSOUL-CN*	1840510PSOUL-CN*
	130	GRUPPO VENTOLA CONDENSATORE CONDENSER FAN GROUP	4319-0033	4319-0033	4319-0033	4319-0033
	140	EVAPORATORE - EVAPORATOR	1060525ND0UL	1060525ND0UL	1060525ND0UL	1060525ND0UL
			1060525ND0UL-CN*	1060525ND0UL-CN*	1060525ND0UL-CN*	1060525ND0UL-CN*
	150	GRUPPO VENTOLA EVAPORATORE EVAPORATOR FAN GROUP	4319-0032	4319-0032	4319-0032	4319-0032
160	GRIGLIA EVAPORATORE EVAPORATOR FAN GRID	G20052N	G20052N	G20052N	G20052N	
170	VALVOLA TERMOSTATICA THERMOSTATIC EXPANSION VALVE	7350-0029	7350-0028	7350-0029	7350-0028	
COMPONENTI DI LINEA LINE COMPONENTS	210	ASCIUGACONDENSE CONDENSATE DRYER	4319-0021	4319-0021	4319-0021	4319-0021
	220	VALVOLA SOLENOIDE GAS CALDO HOT GAS SOLENOID VALVE	CSV3-032B2001	CSV3-032B2001	CSV3-032B2001	CSV3-032B2001
	230	PRESSOSTATO - PRESSURE SWITCH	5605-0095	5605-0095	5605-0095	5605-0095
	240	SONDA ALTA PRESSIONE 0-30 bar HIGH PRESSURE PROBE 0-30 bar	YCQC03H101	YCQC03H101	YCQC03H101	YCQC03H101
	250	FILTRO - FILTER	GFSN40_62-62	GFSN40_62-62	GFSN40_62-62	GFSN40_62-62
	260	VALVOLA SOLENOIDE LIQUIDA LIQUID LINE SOLENOID VALVE	-	CSV3-032B2001	-	CSV3-032B2001
270	SONDA BASSA PRESSIONE 0-10 bar LOW PRESSURE PROBE 0-10 bar	YCQC01H101	YCQC01H101	YCQC01H101	YCQC01H101	
CARENATURA HOUSING	305	PANNELLO DESTRO - DX PANEL	92516903	92516903	92516903	92516903
	310	PANNELLO SINISTRO - SX PANEL	92516904	92516904	92516904	92516904
	315	PANNELLO FRONTALE FRONTAL PANEL	92506703	92506703	92506703	92506703
	320	PANNELLO SUPERIORE SUPERIOR PANEL	92506705	92506705	92506705	92506705

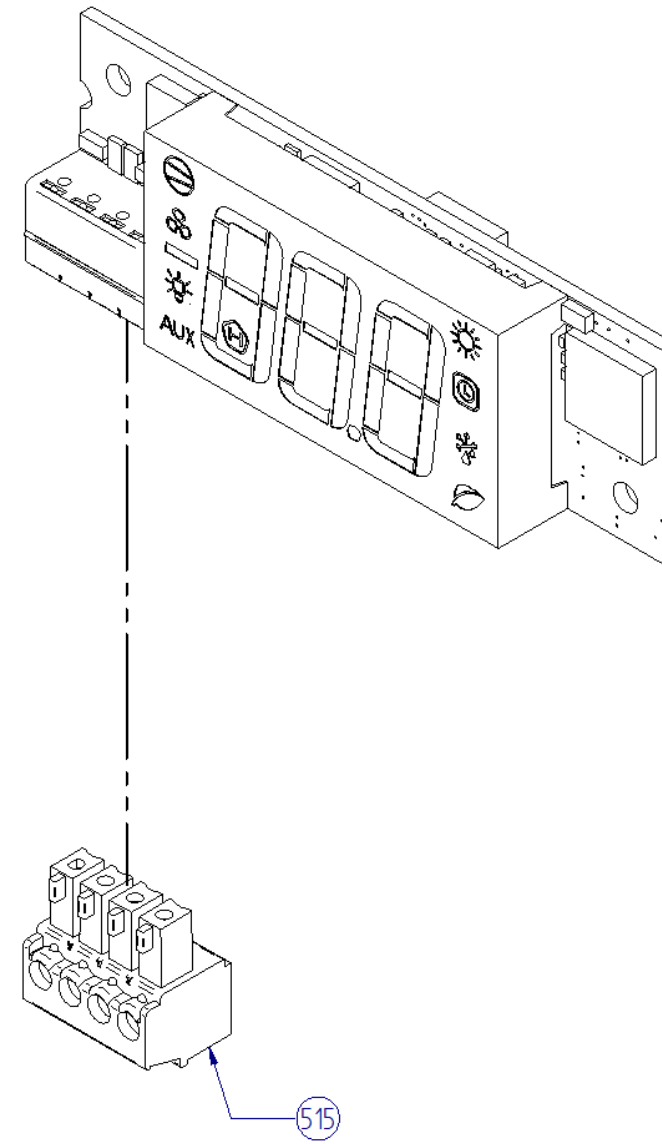
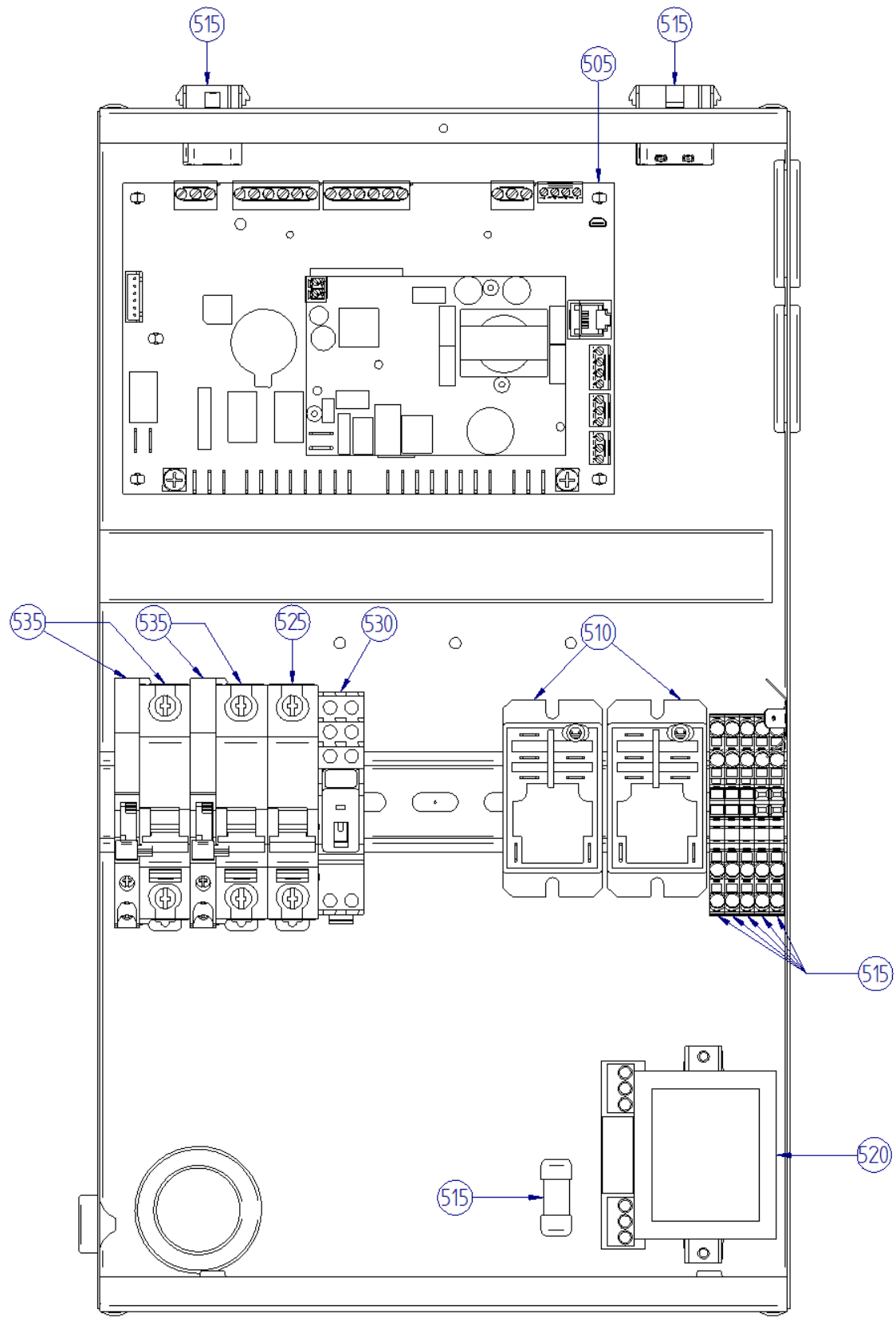
	325	VASCHETTA CONDENSATO <i>CONDENSATE TRAY</i>	92514574	92514574	92514574	92514574
	330	VASCHETTA EVAPORATORE <i>EVAPORATOR TRAY</i>	92516915	92516915	92516915	92516915
	335	PANNELLO EVAPORATORE DESTRO <i>DX EVAPORATOR PANEL</i>	92506615	92506615	92506615	92506615
	340	PANNELLO EVAPORATORE SINISTRO <i>SX EVAPORATOR PANEL</i>	92506616	92506616	92506616	92506616
	345	STAFFA EVAPORATORE DESTRA <i>DX EVAPORATOR BRACKET</i>	92506709	92506709	92506709	92506709
	350	STAFFA EVAPORATORE SINISTRA <i>SX EVAPORATOR BRACKET</i>	92506710	92506710	92506710	92506710
	355	CANALINA EVAPORATORE <i>PROTECTOR BRACKET</i>	92501197	92501197	92501197	92501197
	360	STAFFA PRESSACAVI <i>CABLE GLANDS BRACKET</i>	92506923	92506923	92506923	92506923
	365	STAFFA SCATOLA BOX <i>ELECTRICAL BOX BRACKET</i>	-	-	-	-
	370	STAFFA DISPLAY - <i>DISPLAY BRACKET</i>	92506706	92506706	92506706	92506706
	375	ASSIEME SIFONE - <i>SYPHON SET</i>	94220047	94220047	94220047	94220047
	380	SCHIENALE - <i>BACK STRUCTURE</i>	92516704	92516704	92516704	92516704
	385	BASE - <i>BASE</i>	92516700	92516700	92516700	92516700
COMPONENTI ELETTRICI/ELETTRONICI <i>ELECTRIC/ELECTRONIC COMPONENTS</i>	410	SCATOLA BOX <i>COMPRESSOR ELECTRICAL BOX</i>	7053-0031	55502550	7053-0031	55502550
	420	SONDA SBRINAMENTO <i>DEFROSTING PROBE</i>	NTC015WH01	NTC015WH01	NTC015WH01	NTC015WH01
	430	SONDA TEMPERATURA CELLA <i>COLD ROOM TEMPERATURE PROBE</i>	NTC015HP00	NTC015HP00	NTC015HP00	NTC015HP00
	440	KIT DISPLAY	56008229	56008229	56008229	56008229
	450	GATEWAY 2G	7899-0031**	7899-0031**	7899-0031**	7899-0031**
		GATEWAY Wi-Fi	7899-0032***	7899-0032***	7899-0032***	7899-0032***
460	BOBINA SOLENOIDE <i>SOLENOID COIL</i>	042N7601	042N7601	042N7601	042N7601	
QUADRO ELETTRICO <i>ELECTRICAL BOX</i>	500	QUADRO ELETTRICO <i>ELECTRICAL BOX</i>	5603-0029	5603-0036	5603-0227	5603-0230

Note:

* Batterie trattate in cataforesi - *Heat exchanger in cataphoresis*

** Gateway per collegamento IoT - 2G - *Gateway for IoT connection 2G*

*** Gateway per collegamento IoT - Wi-Fi - *Gateway for IoT connection WiFi*



RIVACOLD

MASTERING COLD

GRUPPO GROUP	POSIZIONE POSITION	COMPONENTE COMPONENT	BEWx302MA50P1x	BEWx302LA50P1x
			CODICE - CODE	CODICE - CODE
COMPONENTI QUADRO ELETTRICO ELECTRICAL BOX COMPONENTS	505	SCHEDA ELETTRONICA RIVACOLD - <i>ELECTRONIC BOARD</i>	RIV-EVO-BOARD	RIV-EVO-BOARD
	510	KL1 - RELÈ COMPRESSORE 1 - <i>COMPRESSOR RELAY</i>	99107038	99107038
	515	GRUPPO MATERIALE CONSUMO -	4001-0002	4001-0002
	520	TC1 - TRASFORMATORE - <i>POWER TRANSFORMER</i>	99107047	99107047
	525	QM2 - MAGNETOTERMICO CARICHI SECONDARI <i>MAGNETOTHERMIC SWITCH FOR SECONDARY LOAD</i>	99107037	99107037
	530	KL3 - RELE PRESSOSTATO DI ALTA PRESSIONE + ZOCCOLO <i>PRESSURE SWITCH RELAY + SOCKET</i>	99107039+99107040	99107039+99107040
	535	QM1 - MAGNETOTERMICO COMPRESSORE + CONTATORE AUX <i>COMPRESSOR MAGNETOTHERMIC SWITCH + AUXILIARY CONTACT</i>	99107034+99107036	99107034+99107036