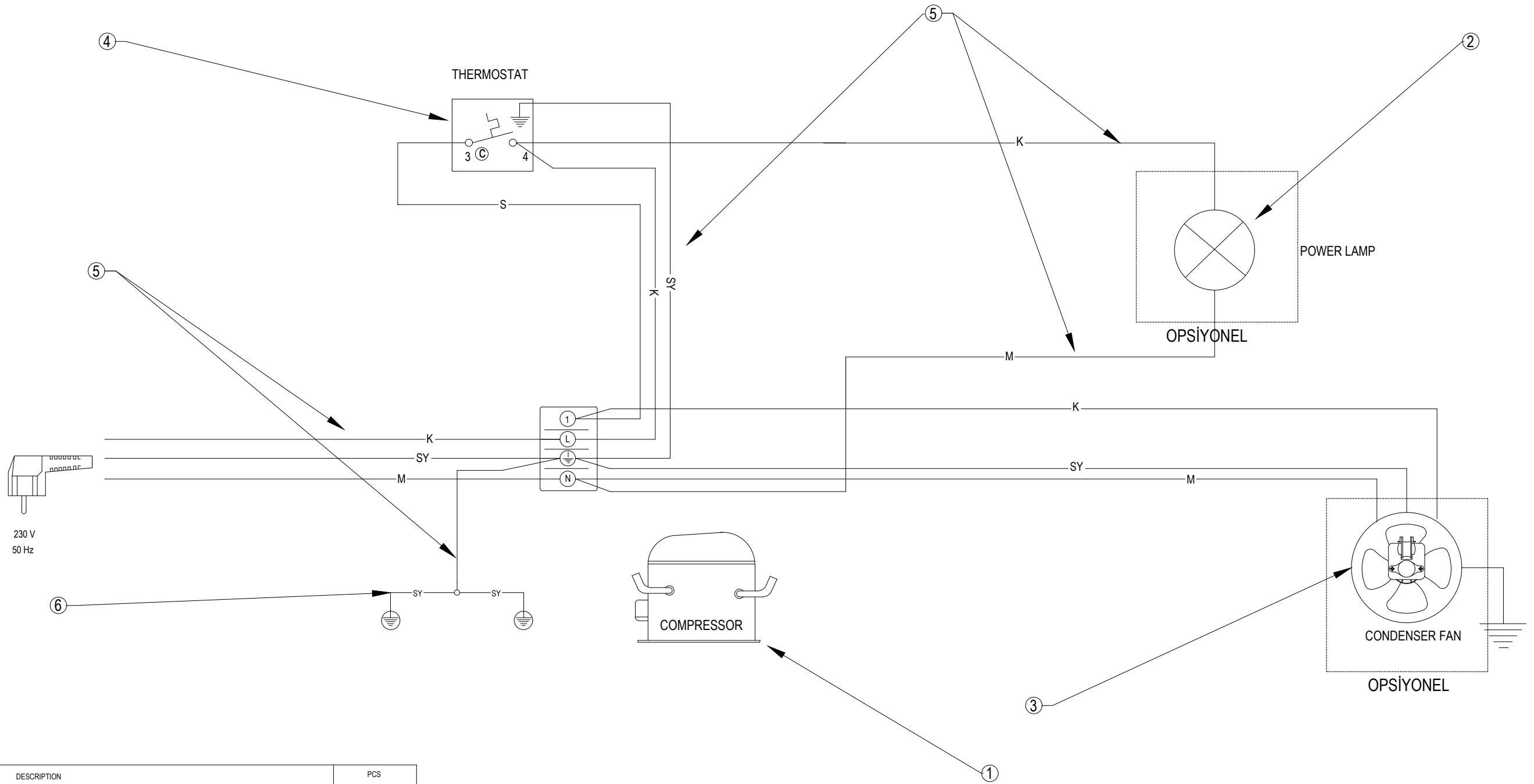


SCHALTPLAN



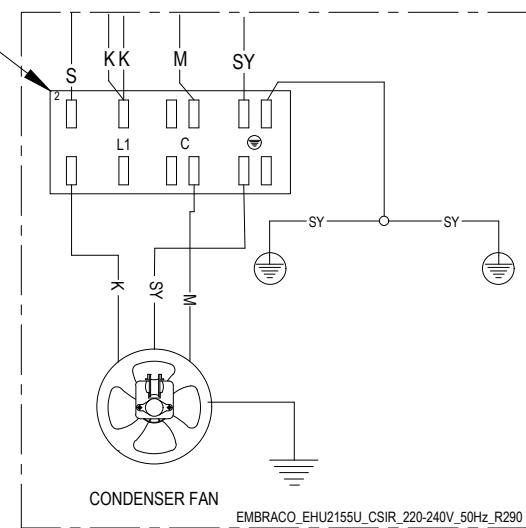
KBS Gastrotechnik GmbH – Schoßbergstraße 26 – 65201 Wiesbaden



NO	KLİMASAN CODE	DESCRIPTION	PCS
	STOK KODU	STOK TANIMI	KULLANIM MİKTARI (ADET)
1	A6001474	KOMPRESOR_EMBRACO_EMT2130U_220_240V_50Hz_R290_Muht	1
2	C6023090	SINYAL_LAMBASI_GUC_YUVARLAK_YESIL_DFSG_ANEL	1
3	A6002315	FAN_AKSIYEL_KONDENSER_AYAKSIZ_230V_43/10W_/7/31W_WEIGUANG	1
4	A6004537	TERMOSTAT_DF/DFSG_EXPROOF_(-20°C/-36°C)	1
5	B6009989	KABLO_BESLEME_200DFSG_FF_FISLI	1
6	Z0620085	KABLO SC45 KOMPRESOR TOPRAK 300mm	1

K : KAHVERENGİ / BROWN
M : MAVİ / BLUE
S : SIYAH / BLACK
SY : SARI - YEŞİL / YELLOW - GREEN

TERMINALLERE C6021125 KODLU KILIF TAKILMALIDIR



ITEM NO	SCALE	ÖLÇEK	DRAWING NO.	RESİM NO.	KL7950	CHANGE NO	CHANGE DATE	CUMHUR MEYDAN	AYFER YAZ	ONER AKTAS
1-6	1:000	±0.1	KL7950	DEVRE ŞEMASI	2020-0306	11.06.2020	DEĞ. YAPAN	CHECKED BY	APPROVED BY	ONAYLAYAN
6-30	±0.2									
30-100	±0.3									
100-300	±0.5									
300-1000	±0.8									
1000-2000	±1.2									
ANGLE/AÇI	±15°									



ISSUE NO/ YAYIN NO: 2014-4011
ISSUE DATE/ YAYIN TARİHİ: 29.12.2014

SHEET / SAYFA: 1 / 1
TOTAL / TAMAMI

MODELNAME: _____
DIRECTORY: \Klimasari\ortnk\ARGE\TEKNİKRESİMLER2\FELEKTRİK