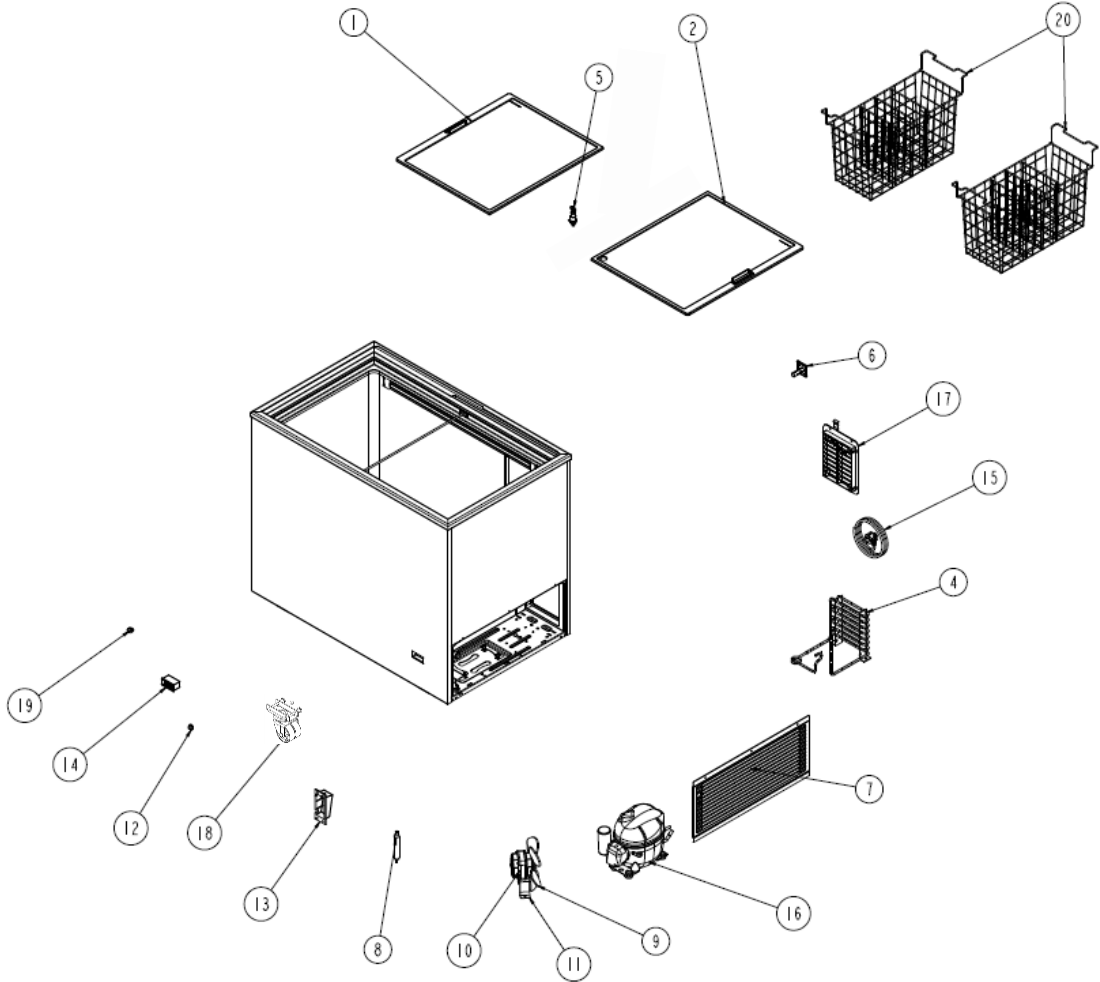


# EXPLOSIONSZEICHNUNG



KBS Gastrotechnik GmbH – Schoßbergstraße 26 – 65201 Wiesbaden

PRODUCT PIC. NO. : **SSH22TK526** CREATION DATE : **12.09.2022**  
 PRODUCT MODEL : **D500DFSG**  
 REFERENCE PRODUCT CODES : 308436 - D500DFSG\_FF\_R25\_KBS\_TEKER\_REINFORCED\_TERMOSTAT\_ONDE\_TERMOMETRELI\_C\_COND\_EU\_EHU\_R290\_2022


**Klimasan After Sales Service Department**

You can contact with After Sales Department by [servis@klimasan.com.tr](mailto:servis@klimasan.com.tr). Klimasan reserves the right to change information about all spare parts in this documents. Hardcopy document may not be up to date. Responsibility, arising from the use of this information, belongs to the user.

PRODUCT PIC. NO. : **SSH22TK526** CREATION DATE : **12.09.2022**  
PRODUCT MODEL : **D500DFSG**  
REFERENCE PRODUCT CODES : 308436 - D500DFSG\_FF\_R25\_KBS\_TEKER\_REINFORCED\_TERMOSTAT\_ONDE\_TERMOMETRELI\_C\_COND\_EU\_EHU\_R290\_2022

**KLIMASAN SPARE PART PRICE LIST**

SPARE PART CODE	DESCRIPTIONS	PRODUCT CODE	EXP. REF. NO
B6035847	COVER_BOTTOM_D500DFSG	308436	1
B6035879	COVER_TOP_D500DFSG	308436	2
A6005165	CONDENSER_SKIN	308436	4
B6021106	LOCK_SC	308436	5
Z0150858	DRAIN_OUTER_PLUG	308436	6
B6036682	SHUTTER_SIDE	308436	7
A6003168	DRIER 17 GR.(4.9X2.2mm)_STOPPING TUBE	308436	8
A6002306	PROPELLER_ALUMINUM_200MM_34_DEGREE_WEIGUANG	308436	9
A6002341	FAN_AXIAL_CONDENSER	308436	10
A6002101	FAN_CONNECTING_FEET	308436	11
Z0150266	THERMOSTAT_BUTTON	308436	12
B6030861	THERMOSTAT_BOX	308436	13
A6004537	THERMOSTAT_MECHANICAL	308436	14
B6018913	POWER_CORD_CABLE	308436	15
A6001609	COMPRESSOR_EMBRACO_EHU2155U_CSIR_220-240V_50Hz_R290	308436	16
B6036683	SHUTTER_BACK	308436	17
B6020147	WHEEL_MOVABLE	308436	18 (1)
B6020148	WHEEL_FIXED	308436	18 (2)
Z0150140	DRAIN_INSIDE_PLUG	308436	19
B6041218	BASKET_FF/FC	308436	20

**Klimasan After Sales Service Department**

You can contact with After Sales Department by [servis@klimasan.com.tr](mailto:servis@klimasan.com.tr). Klimasan reserves the right to change information about all spare parts in this documents. Hardcopy document may not be up to date. Responsibility, arising from the use of this information, belongs to the user.

