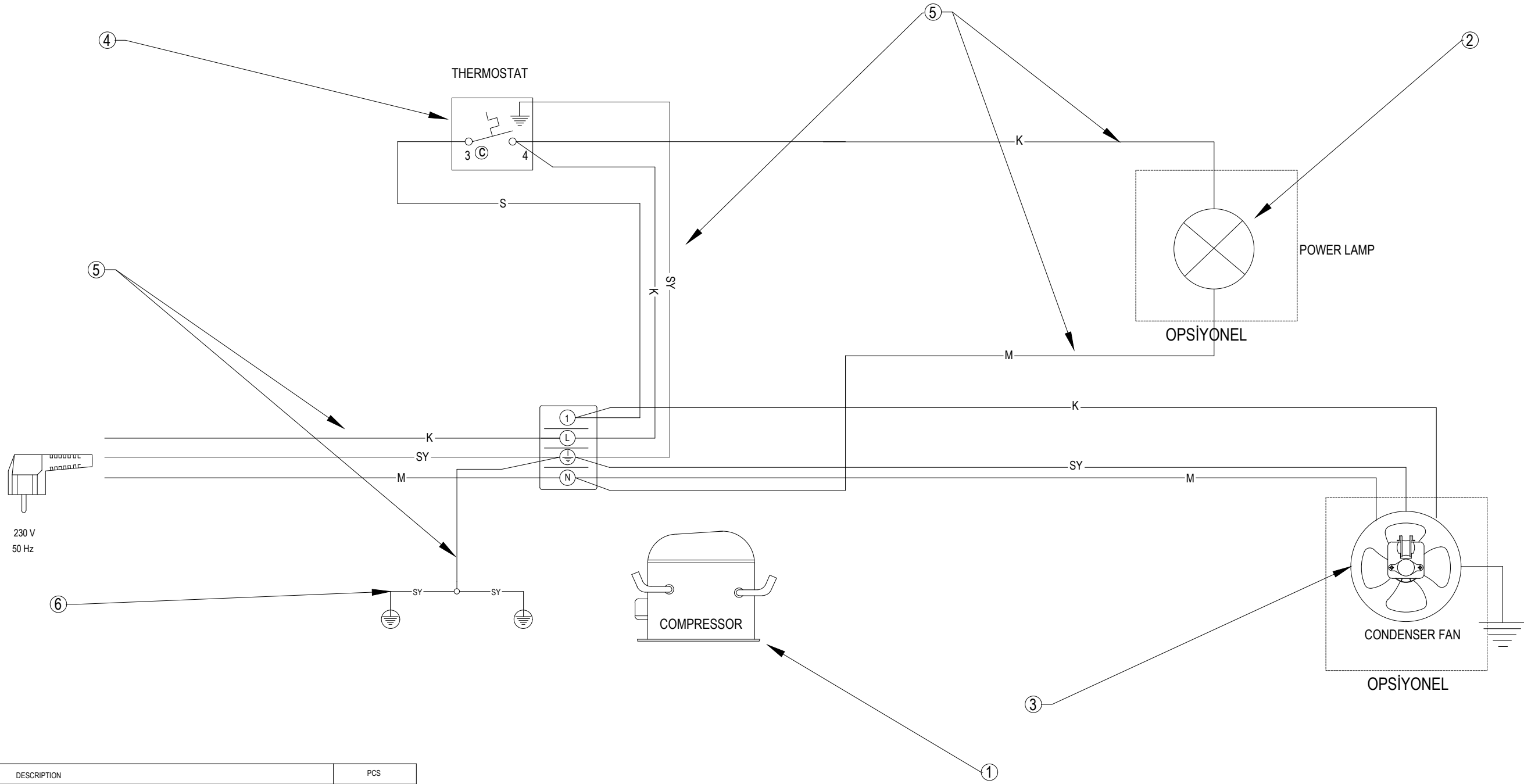


# SCHALTPLAN



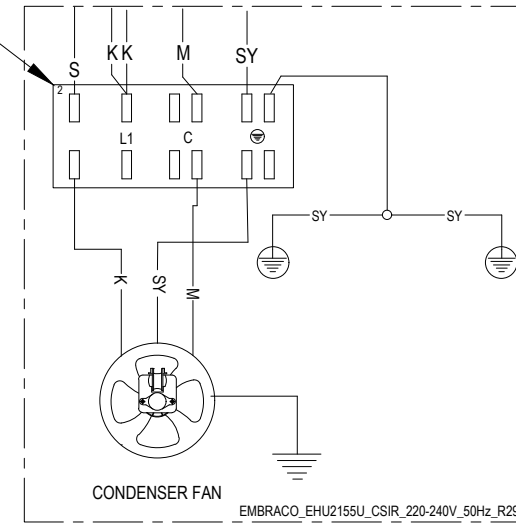
KBS Gastrotechnik GmbH – Schoßbergstraße 26 – 65201 Wiesbaden



NO	KLİMASAN CODE	DESCRIPTION	PCS
	STOK KODU	STOK TANIMI	KULLANIM MİKTARI (ADET)
1	A6001474	KOMPRESOR_EMBRACO_EMT2130U_220_240V_50Hz_R290_Muht	1
2	C6023090	SINYAL_LAMBASI_GUC_YUVARLAK_YESIL_DFSG_ANEL	1
3	A6002315	FAN_AKSIYEL_KONDENSER_AYAKSIZ_230V_43/10W_/7/31W_WEIGUANG	1
4	A6004537	TERMOSTAT_DF/DFSG_EXPROOF_(-20°C/-36°C)	1
5	B6009989	KABLO_BESLEME_200DFSG_FF_FISLI	1
6	Z0620085	KABLO SC45 KOMPRESOR TOPRAK 300mm	1

K : KAHVERENGİ / BROWN  
M : MAVİ / BLUE  
S : SIYAH / BLACK  
SY : SARI - YEŞİL / YELLOW - GREEN

TERMINALLERE C6021125 KODLU KILIF TAKILMALIDIR



ITEM NO	SCALE	ÖLÇEK	DRAWING NO:	RESİM NO:	KL7950	CHANGE NO	CHANGE DATE	CUMHUR MEYDAN	AYFER YAZ	ONER AKTAS
	1:000									
GENERAL TOLERANCES			PART NAME:			DEVRE ŞEMASI			KLİMASAN	
1-6	±0.1		PART CODE:			D 300 DFSG_GÜÇLENDİRİLMİŞ GÖVDE			Organize Sanayi Bölgesi Cumhuriyet Caddesi No:1 Tel: +90 (236) 236 22 33 45030 MANİSA	
6-30	±0.2		MATERIAL:			REFERANS ÜRÜN KODU : 285886-285887			ISSUE NO/ YAYIN NO:	ISSUE DATE/ YAYIN TARİHİ:
30-100	±0.3		PART CODE:						2014-4011	29.12.2014
100-300	±0.5		PAPER SIZE	A3	NAME/ADI-SOYADI	SIGNATURE/İMZA	DATE/TARİH	SHEET / SAYFA	TOTAL / TAMAMI	
300-1000	±0.8		DRAWN BY			ABDULLAH YILMAZ				
1000-2000	±1.2		CHECKED BY			SENCER BAŞARIR				
ANGLE/AÇI	±15°		APPROVED BY			ONER AKTAS			MODELNAME:	
DIRECTORY: \Klimasan\ortnk\ARGE\TEKNİKRESİMLER2\FELEKTRİK										