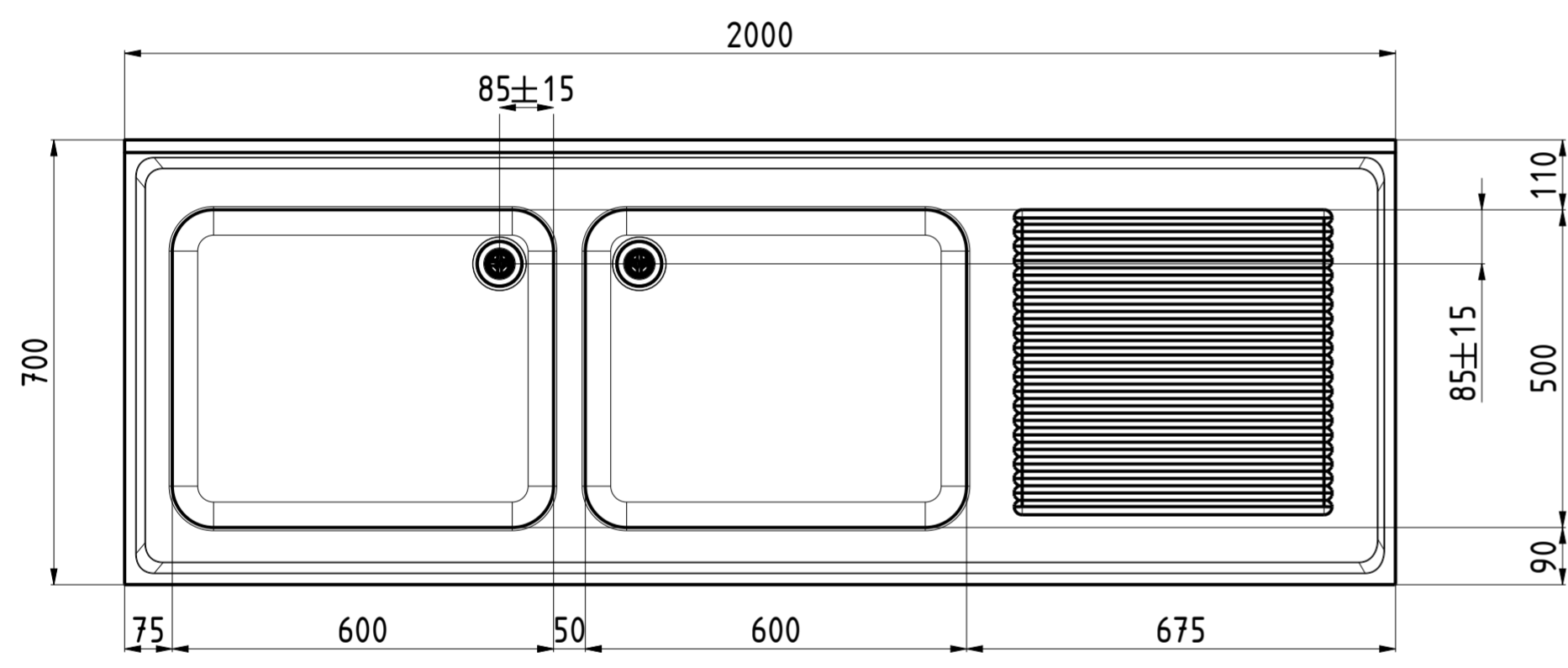
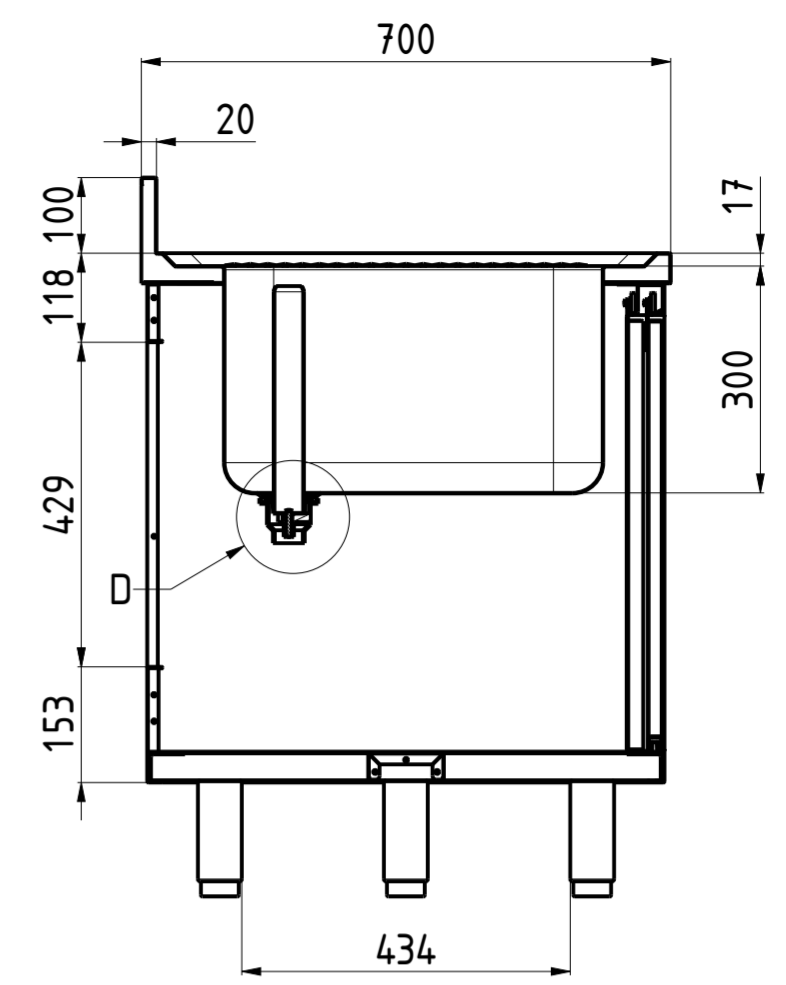
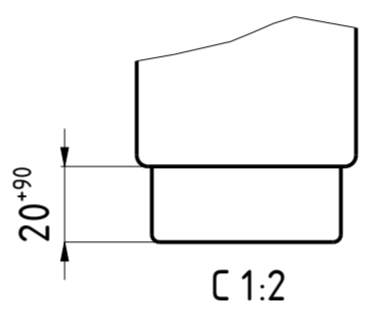
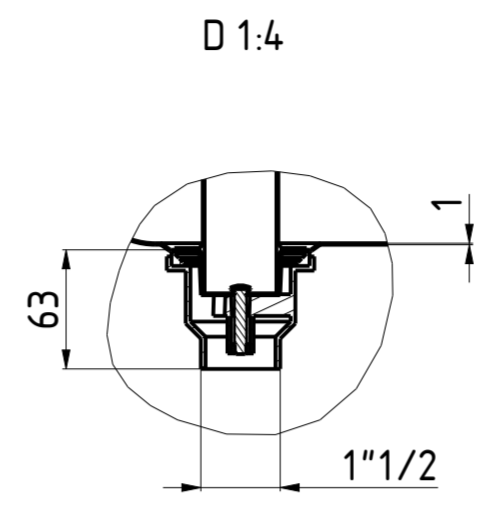
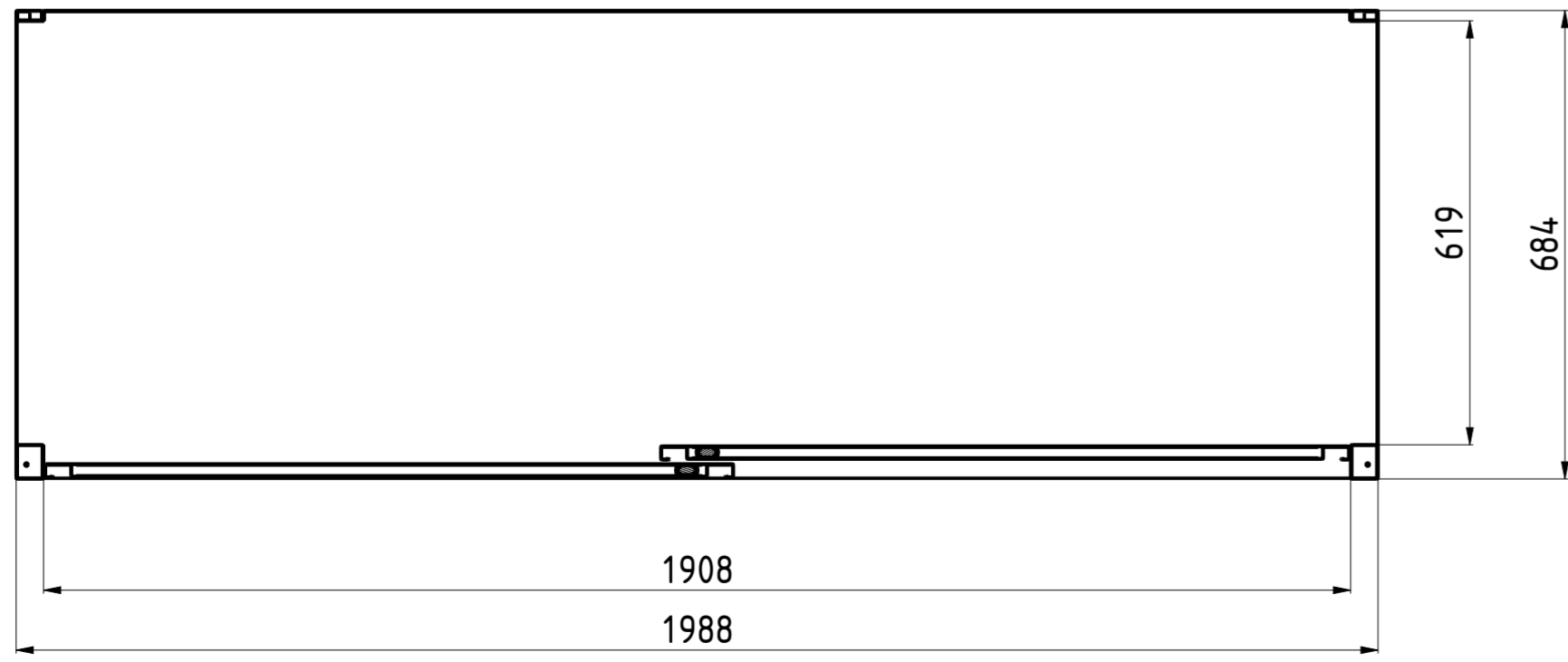


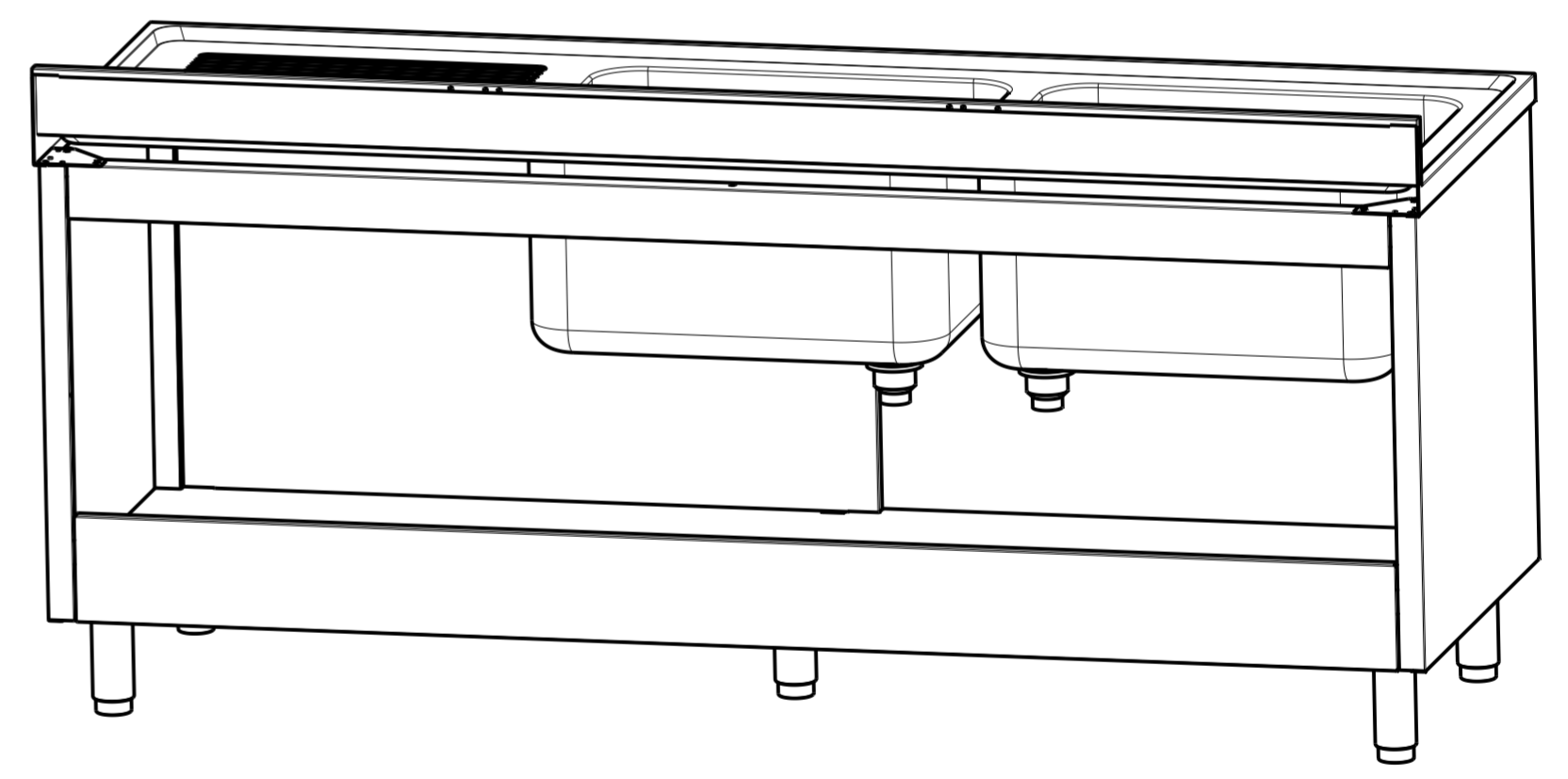
FRONT VIEW 1:10



INTERNAL DIM  
D-D



E-E



DATA DATE	MODIF. N. MODIF. NO.	DESCRIZIONE MODIFICHE MODIFICATION DESCRIPTION	DISegnATO DRAWN BY	APPROVATO APPROVED
MODELLO MODEL	LAV ARM 2 VAS 60x50x25 GOCC DX 200x70 SINK ON CABINET 2 BAS 60x50x25 RIGHT DRAINER 200x70		DISegno N. DRAWING NO.	SCALA SCALE
PARTICOLARE DETAIL	SCHEDA TECNICA DATA SHEET		M.PAPI	DATA DATE
MATERIALE MATERIAL	SPESs THICK.	-	APPROVATO APPROVED	SHEET 3 OF 4
FINITURA FINISH	PEZZI N. PIECES NO.		SOSTITUISCE IL DIS. N. IT REPLACES DRAWING NO.	ULTIMA EMISS. LAST EDITION
TRATTAMENTO TREATMENT	COLORE COLOUR		SOSTITUITO DAL DIS. N. REPLACED BY DRAWING NO.	
		RISTOPRO SRL FRAZ. BORGO TUFICO, 47 FABRIANO (AN) ITALY +39.732.043494 WWW.RISTOPRO.COM		 mm

ELABORATO CON SISTEMA CAD  
DESIGNED BY CAD/STEM

QUOTA PRIMARIA  
PRIMARY DIMENSION  
XX

ANGOLI  
Angles  
30° ±0.30°

>500 ±0.75  
400-500 ±0.65  
315-400 ±0.60  
250-315 ±0.55

180-250 ±0.50  
120-180 ±0.45  
80-120 ±0.40  
50-80 ±0.35

30-50 ±0.30  
10-30 ±0.25  
5-10 ±0.15

0-5 ±0.10

QUOTE SENZA TOLLERANZA  
TOLERANCE UNLESS OTHERWISE STATED

LUNGH. E DIAM.  
LENGHT AND DIAM.  
FORM.A-2