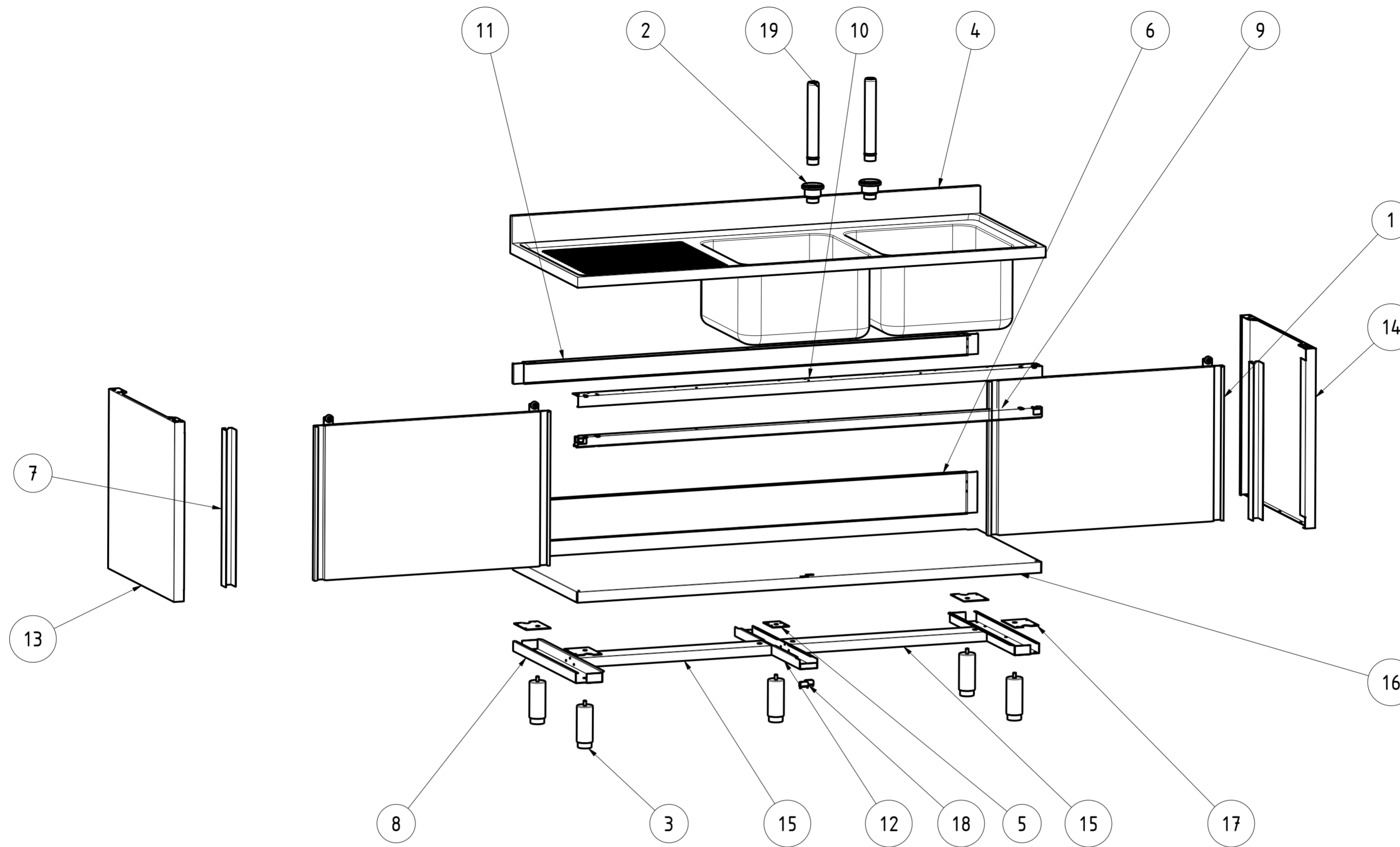


EXPLOSIONSZEICHNUNG



KBS Gastrotechnik GmbH – Schoßbergstraße 26 – 65201 Wiesbaden



19	TUBO LIVELLO_300	2	TUBO LIVELLO 300	OVERFLOW PIPE
18	TACCHDSTA	2	TACCHETTO GUIDA PORTE	SLIDING DOOR GUIDE
17	NT4144	4	PIASTRA RIV PIEDINO PORTA BATTENTE	PLATE EXTERNAL LEG HINGED DOOR
16	NT4081	1	PIANO BASE 180x70	BASE SHELF 180x70
15	NT4062	2	OMEGA LONGITUDINALE (DIV.2) L180	LONGITUDINAL OMEGA L180
14	NT4046	1	PANNELLO LATERALE DX P70 H85	RIGHT SIDE PANEL P70 H85
13	NT4044	1	PANNELLO LATERALE SX P70 H85	LEFT SIDE PANEL P70 H85
12	NT4033	1	OMEGA CENTR RIV. PIANO BASE P70	CENTRAL OMEGA BASE SHELF P70
11	NT3830	1	SCHIENALE SUPERIORE L180	UPPER BACK L180
10	NT3596	1	ANGOLARE SUPP. BINARIO L180	ANGULAR BINARY SUPPORT L180
9	NT3585	1	BINARIO TAVOLI ARMADIATI L180	BINARY L180
8	NT2450	2	OMEGA LATERALE PIANO BASE P70	LATERAL OMEGA BASE SHELF P70
7	NT502	2	MONTANTE ASOLATO PER LATERALI NEUTRO H85	NEUTRAL UPRIGHT H85
6	NT496	1	SCHIENALE INFERIORE L180	LOWER BACK L180
5	NT335	1	PIASTRA RINFORZO PER GAMBA CENTRALE	PLATE CENTRAL LEG
4	LAV_187_2_55_SX	1	LAVATOIO 180x70 2 VASCHE 50x50H30 GOCC. SX	SINK 180x70 2 BASIN 50x50H30 LEFT DRAINER
3	DSPIEDTA	5	PIEDINO PER TAVOLI ARMADIATI	FOOT FOR CABINET TABLES
2	ASS_PILETTA	2	PILETTA DI SCARICO 1" 1/2	WASTE DISCHARGE 1" 1/2
1	APS_L180_H85	2	ASSIEME PORTE SCORREVOLI L180 H85	SLIDING DOORS ASSEMBLY L180 H85
ITEM NO	PART NUMBER	QTY	DESCRIPTION	

DATA DATE	MODIF. N. MODIF. NO.	DESCRIZIONE MODIFICHE MODIFICATION DESCRIPTION	DISegnATO DRAWN BY	APPROVATO APPROVED
MODELLO MODEL	LAV ARM 2 VAS 50x50x30 GOCC SX 180x70 SINK ON CABINET 2 BAS 50x50x30 LEFT DRAINER 180x70		DISegno N. DRAWING NO.	SCALA SCALE
PARTICOLARE DETAIL	ESPLOSO EXPLODED VIEW		DISegnATO DRAWN BY	DATA DATE
MATERIALE MATERIAL	SPESS. THICK.		APPROVATO APPROVED	SHEET 4 OF 4
FINITURA FINISH	PEZZI N. PIECES NO.		SOSTITUISCE IL DIS. N. IT REPLACES DRAWING NO.	ULTIMA EMISS. LAST EDITION
TRATTAMENTO TREATMENT	COLORE COLOUR		SOSTITUITO DAL DIS. N. REPLACED BY DRAWING NO.	
		RISTOPRO SRL FRAZ. BORGO TUFICO, 47 FABRIANO (AN) ITALY +39.732.043494 WWW.RISTOPRO.COM		 mm

ELABORATO CON SISTEMA CAD
 DESIGNED BY CAD/STEM
 QUOTA PRIMARIA
 PRIMARY DIMENSION
 XX
 ANGOLI
 Angles
 >500
 >±0.75
 400-500
 >±0.65
 315-400
 >±0.60
 250-315
 >±0.55
 180-250
 >±0.50
 120-180
 >±0.45
 80-120
 >±0.40
 50-80
 >±0.35
 30-50
 >±0.30
 10-30
 >±0.25
 5-10
 >±0.15
 0-5
 >±0.10
 LUNGHEZZE E DIAM.
 LENGTH AND DIAM.
 TOLLERANZA UNLESS OTHERWISE STATED
 TOLERANCE UNLESS OTHERWISE STATED
 FORM.A-2