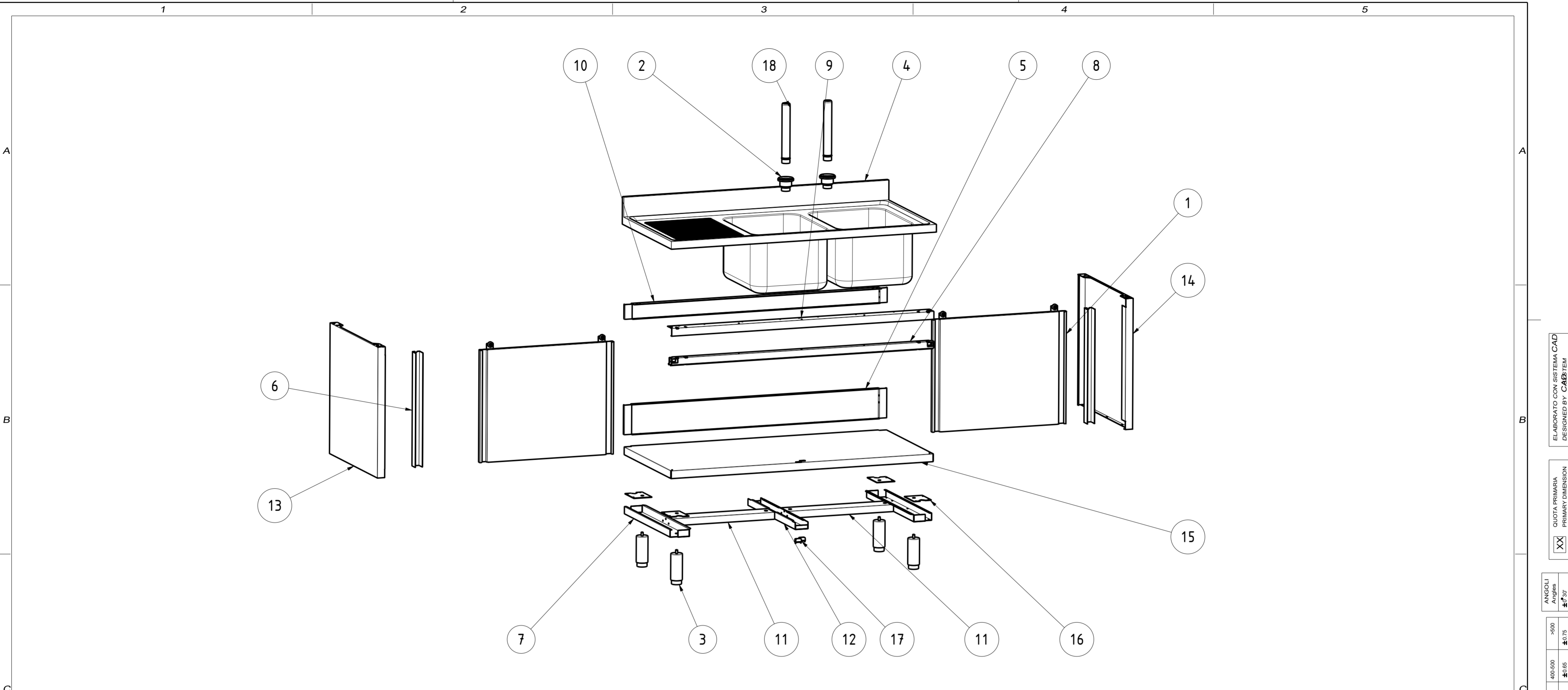


# EXPLOSIONSZEICHNUNG



KBS Gastrotechnik GmbH – Schoßbergstraße 26 – 65201 Wiesbaden



|         |                  |     |  |   |
|---------|------------------|-----|--|---|
| 18      | TUBO LIVELLO_300 | 2   | TUBO LIVELLO 300                           | OVERFLOW PIPE                             |
| 17      | TACCHDSTA        | 2   | TACCHETTO GUIDA PORTE                      | SLIDING DOOR GUIDE                        |
| 16      | NT4144           | 4   | PIASTRA RIV PIEDINO PORTA BATTENTE         | PLATE EXTERNAL LEG HINGED DOOR            |
| 15      | NT4078           | 1   | PIANO BASE 140x70                          | BASE SHELF 140x70                         |
| 14      | NT4046           | 1   | PANNELLO LATERALE DX P70 H85               | RIGHT SIDE PANEL P70 H85                  |
| 13      | NT4044           | 1   | PANNELLO LATERALE SX P70 H85               | LEFT SIDE PANEL P70 H85                   |
| 12      | NT4033           | 1   | OMEGA CENTR RIV. PIANO BASE P70            | CENTRAL OMEGA BASE SHELF P70              |
| 11      | NT4030           | 2   | OMEGA LONGITUDINALE (DIV.2) L140           | LONGITUDINAL OMEGA L140                   |
| 10      | NT3827           | 1   | SCHIENALE SUPERIORE L140                   | UPPER BACK L140                           |
| 9       | NT3592           | 1   | ANGOLARE SUPP. BINARIO L140                | ANGULAR BINARY SUPPORT L140               |
| 8       | NT3581           | 1   | BINARIO TAVOLI ARMADIATI L140              | BINARY L140                               |
| 7       | NT2450           | 2   | OMEGA LATERALE PIANO BASE P70              | LATERAL OMEGA BASE SHELF P70              |
| 6       | NT502            | 2   | MONTANTE ASOLATO PER LATERALI NEUTRO H85   | NEUTRAL UPRIGHT H85                       |
| 5       | NT493            | 1   | SCHIENALE INFERIORE L140                   | LOWER BACK L140                           |
| 4       | LAV_147_2_45_SX  | 1   | LAVATOIO 140x70 2 VASCHE 40x50H30 GOCC. SX | SINK 140x70 2 BASIN 40x50H30 LEFT DRAINER |
| 3       | DSPIEDTA         | 4   | PIEDINO PER TAVOLI ARMADIATI               | FOOT FOR CABINET TABLES                   |
| 2       | ASS_PILETTA      | 2   | PILETTA DI SCARICO 1" 1/2                  | WASTE DISCHARGE 1" 1/2                    |
| 1       | APS_L140_H85     | 2   | ASSIEME PORTE SCORREVOLI L140 H85          | SLIDING DOORS ASSEMBLY L140 H85           |
| ITEM NO | PART NUMBER      | QTY | DESCRIPTION                                |   |

| DATA DATE  | MODIF. N. MODIF. NO.   | DESCRIZIONE MODIFICHE MODIFICATION DESCRIPTION   | DISegnATO DRAWN BY                 | APPROVATO APPROVED |
|--|--|--|------------------------------------|--------------------|
|  |  |  |                                    |                    |
| MODELLO MODEL                                      | LAV ARM 2 VAS 40x50x30 GOCC SX 140x70 SINK ON CABINET 2 BAS 40x50x30 LEFT DRAINER 140x70 |  | DISEGNO N. DRAWING NO. DSLA2VGS147 | SCALA SCALE -      |
| PARTICOLARE DETAIL                                 | ESPLOSO EXPLODED VIEW  |  | DISEGNATO DRAWN BY M.PAPI          | DATA DATE -        |
| MATERIALE MATERIAL                                 | SPESS. THICK. -  | APPROVATO APPROVED   | SHEET 4 OF 4                       |                    |
| FINITURA FINISH                                    | PEZZI N. PIECES NO.  | SOSTITUISCE IL DIS. N. IT REPLACES DRAWING NO.   | ULTIMA EMISS. LAST EDITION         |                    |
| TRATTAMENTO TREATMENT                              | COLORE COLOUR  | SOSTITUITO DAL DIS. N. REPLACED BY DRAWING NO.   |                                    |                    |
| <b>RISTOPRO</b><br>PROFESSIONAL CATERING EQUIPMENT |  | RISTOPRO SRL<br>FRAZ. BORGO TUFICO, 47 FABRIANO (AN)<br>ITALY +39.732.043494<br>WWW.RISTOPRO.COM |                                    | mm                 |

ELABORATO CON SISTEMA CAD DESIGNED BY CADSTEM  
 QUOTA PRIMARIA PRIMARY DIMENSION XX  
 ANGOLI Angles 30°  
 TOLLERANZA UNLESS OTHERWISE STATED  
 >500 ±0.75  
 400-500 ±0.65  
 315-400 ±0.60  
 250-315 ±0.55  
 180-250 ±0.50  
 120-180 ±0.45  
 80-120 ±0.40  
 50-80 ±0.35  
 30-50 ±0.30  
 10-30 ±0.25  
 5-10 ±0.15  
 0-5 ±0.10  
 LUNGHEZZE E DIAM. LENGTH AND DIAM. mm  
 FORM.A-2