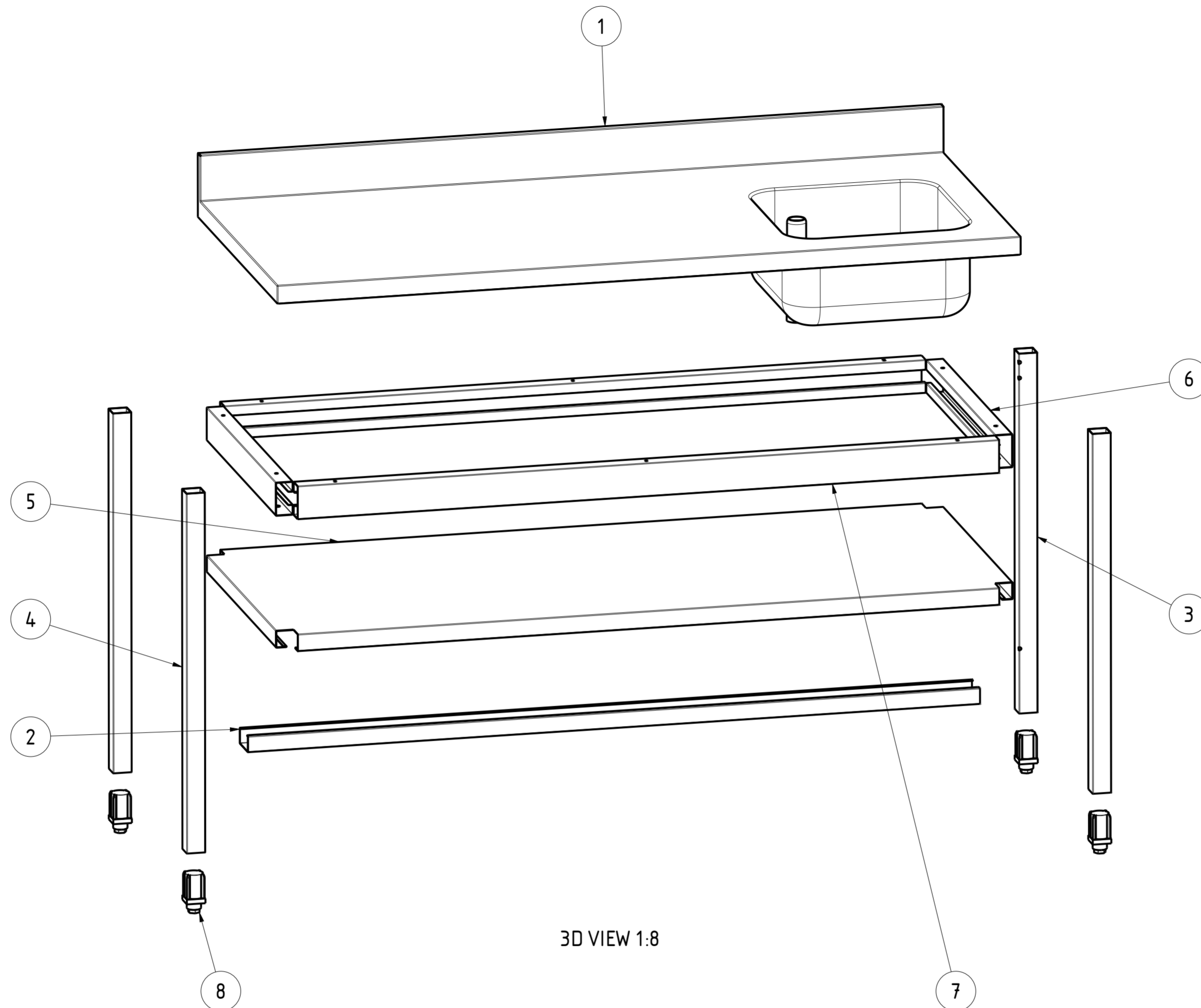


EXPLOSIONSZEICHNUNG



KBS Gastrotechnik GmbH – Schoßbergstraße 26 – 65201 Wiesbaden



3D VIEW 1:8

8	PIEDINO REGOLABILE	4	PIEDINO DSTG REGOLABILE	
7	NT10581	2	SEMICORNICE ANTER./POSTER. SALDATO L160	WELDED FRONT/REAR FRAME L160
6	NT10578	2	SEMICORNICE LATERALE P70 SALDATO	WELDED SIDE FRAME P70
5	NT10436	1	PIANO DI FONDO SALDATO 160x70	BASE WELDED SHELF 160x70
4	NT10263	3	GAMBA 40x40 0 FORI H780 DSNTG DSNLG	LEG 40x40 0 HOLES H780 DSNTG DSNLG
3	NT3716	1	GAMBA 40x40 TAVOLO 3 FORI H780 (COR RIP) DSTG	LEG 40x40 TABLES 3 HOLES H780 (COR RIP) DSTG
2	NT274	1	OMEGA PIANO FONDO L160	REINFORCEMENT L160
1	ASS_CHEF_167A_1VD_40_40_20	1	TABLE DU CHEF 160x70 ALZATINA 1 VASCA DX 40x40h20	TABLE DU CHEF 160x70 UPSTAND 1 BASIN RIGHT 40x40h20
ITEM NO	PART NUMBER	QTY	DESCRIPTION	

DATA DATE	MODIF. N. MODIF. NO.	DESCRIZIONE MODIFICHE MODIFICATION DESCRIPTION	DISegnATO DRAWN BY	APPROVATO APPROVED
MODELLO MODEL		TABLE DU CHEF GAMBE 160x70 1 VASCA SX 40x40x20 ALZ SILD TABLE DU CHEF LEGS 160x70 1 BASIN RIGHT 40x40x20 UPSTAND WELDED	DISegno N. DRAWING NO.	SCALA SCALE
PARTICOLARE DETAIL		ESPLOSO EXPLODED VIEW	DISegnATO DRAWN BY	DATA DATE
MATERIALE MATERIAL		SPESS. THICK.	APPROVATO APPROVED	SHEET 2 OF 2
FINITURA FINISH		PEZZI N. PIECES NO.	SOSTITUISCE IL DIS. N. IT REPLACES DRAWING NO.	ULTIMA EMISS. LAST EDITION
TRATTAMENTO TREATMENT		COLORE COLOUR	SOSTITUITO DAL DIS. N. REPLACED BY DRAWING NO.	
		RISTOPRO SRL		
		FRAZ. BORGO TUFICO, 47 FABRIANO (AN)		
		ITALY +39.732.043494		mm
		WWW.RISTOPRO.COM		FORM.A-2

ELABORATO CON SISTEMA CAD
DESIGNED BY CAD/STEM

QUOTA PRIMARIA
PRIMARY DIMENSION
XX

ANGOLI
Angles
30°

TOLLERANZA UNLESS OTHERWISE STATED	QUOTE SENZA TOLLERANZA
>500	±0.75
400-500	±0.65
315-400	±0.60
250-315	±0.55
180-250	±0.50
120-180	±0.45
80-120	±0.40
50-80	±0.35
30-50	±0.30
18-30	±0.25
10-18	±0.20
5-10	±0.15
0-5	±0.10

LUNGH. E DIAM.
LENGTH AND DIAM.