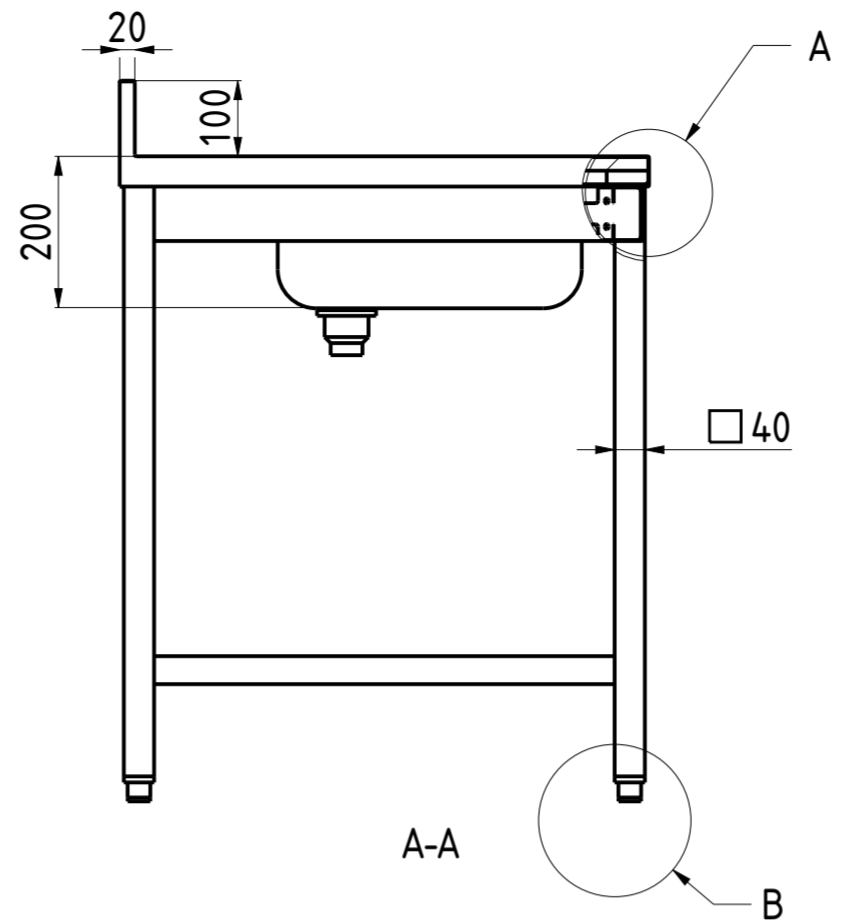
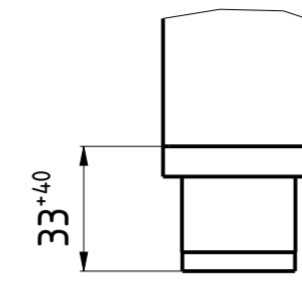


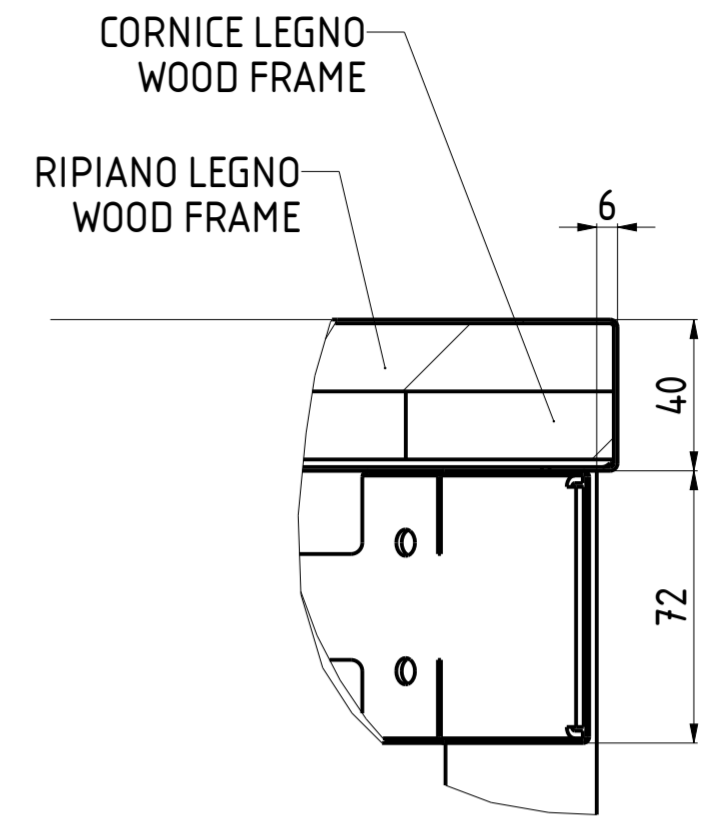
FRONT VIEW 1:10



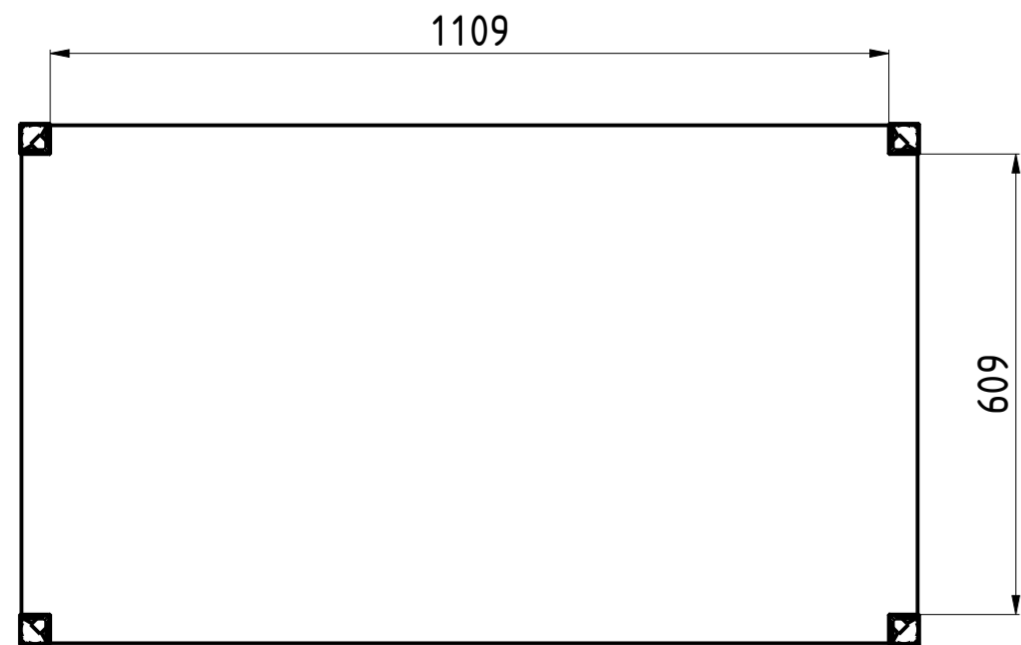
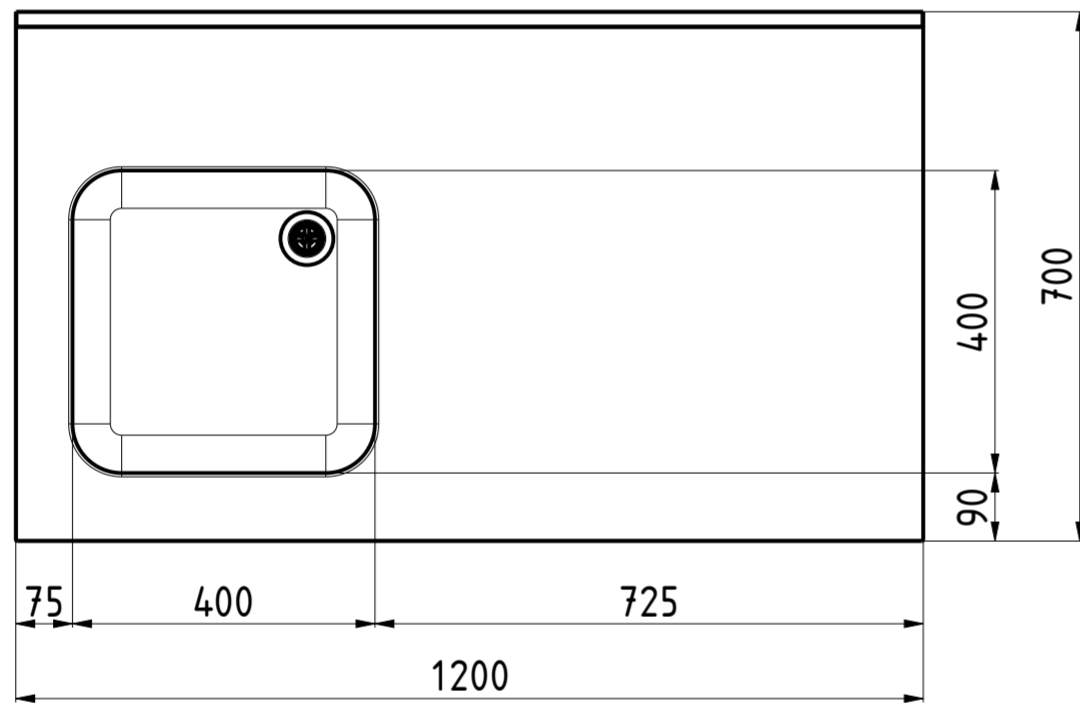
A-A



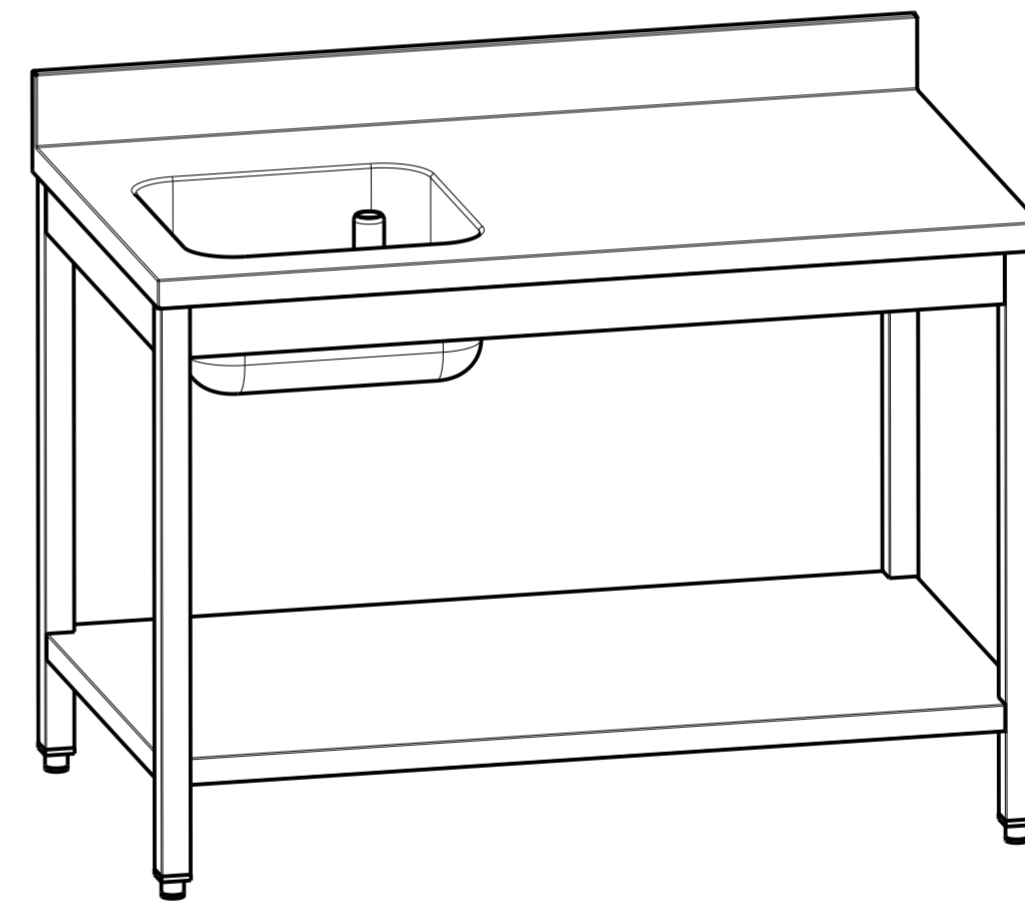
A-A 1:2



A 1:2



INTERNAL DIM B-B



3D VIEW 1:10

| DATA DATE | MODIF. N. MODIF. NO. | DESCRIZIONE MODIFICHE MODIFICATION DESCRIPTION | DISEGNATO DRAWN BY | APPROVATO APPROVED |
|--|---|--|-------------------------------------|--------------------|
| | | | | |
| MODELLO MODEL | TABLE DU CHEF 120x70 1 VASCA SX 40x40x20 ALZATINA TABLE DU CHEF 120x70 1 BASIN LEFT 40x40x20 UPSTAND | | DISEGNO N. DRAWING NO. DSTLG1VS127A | SCALA SCALE - |
| PARTICOLARE DETAIL | SCHEDE TECNICHE DATA SHEET | | DISEGNATO DRAWN BY M.PAPI | DATA DATE - |
| MATERIALE MATERIAL | SPESS. THICK. - | | APPROVATO APPROVED | SHEET 2 OF 3 |
| FINITURA FINISH | PEZZI N. PIECES NO. | SOSTITUISCE IL DIS. N. IT REPLACES DRAWING NO. | ULTIMA EMISS. LAST EDITION | |
| TRATTAMENTO TREATMENT | COLORE COLOUR | SOSTITUITO DAL DIS. N. REPLACED BY DRAWING NO. | | |
| RISTOPRO PROFESSIONAL CATERING EQUIPMENT | | RISTOPRO SRL FRAZ. BORGO TUFICO, 47 FABRIANO (AN) ITALY +39 732.043494 WWW.RISTOPRO.COM | | mm |

ELABORATO CON SISTEMA CAD
DESIGNED BY CADSYSTEM

QUOTA PRIMARIA
PRIMARY DIMENSION
XX

ANGOLI
Angles
30°

TOLLERANZA UNLESS OTHERWISE STATED

| | |
|---------|-------|
| >500 | ±0.75 |
| 400-500 | ±0.65 |
| 315-400 | ±0.60 |
| 250-315 | ±0.55 |
| 180-250 | ±0.50 |
| 120-180 | ±0.45 |
| 80-120 | ±0.40 |
| 50-80 | ±0.35 |
| 30-50 | ±0.30 |
| 18-30 | ±0.25 |
| 10-18 | ±0.20 |
| 5-10 | ±0.15 |
| 0-5 | ±0.10 |

QUOTE SENZA TOLLERANZA

LUNGH. E DIAM.
LENGTH AND DIAM.
FORM.A-2