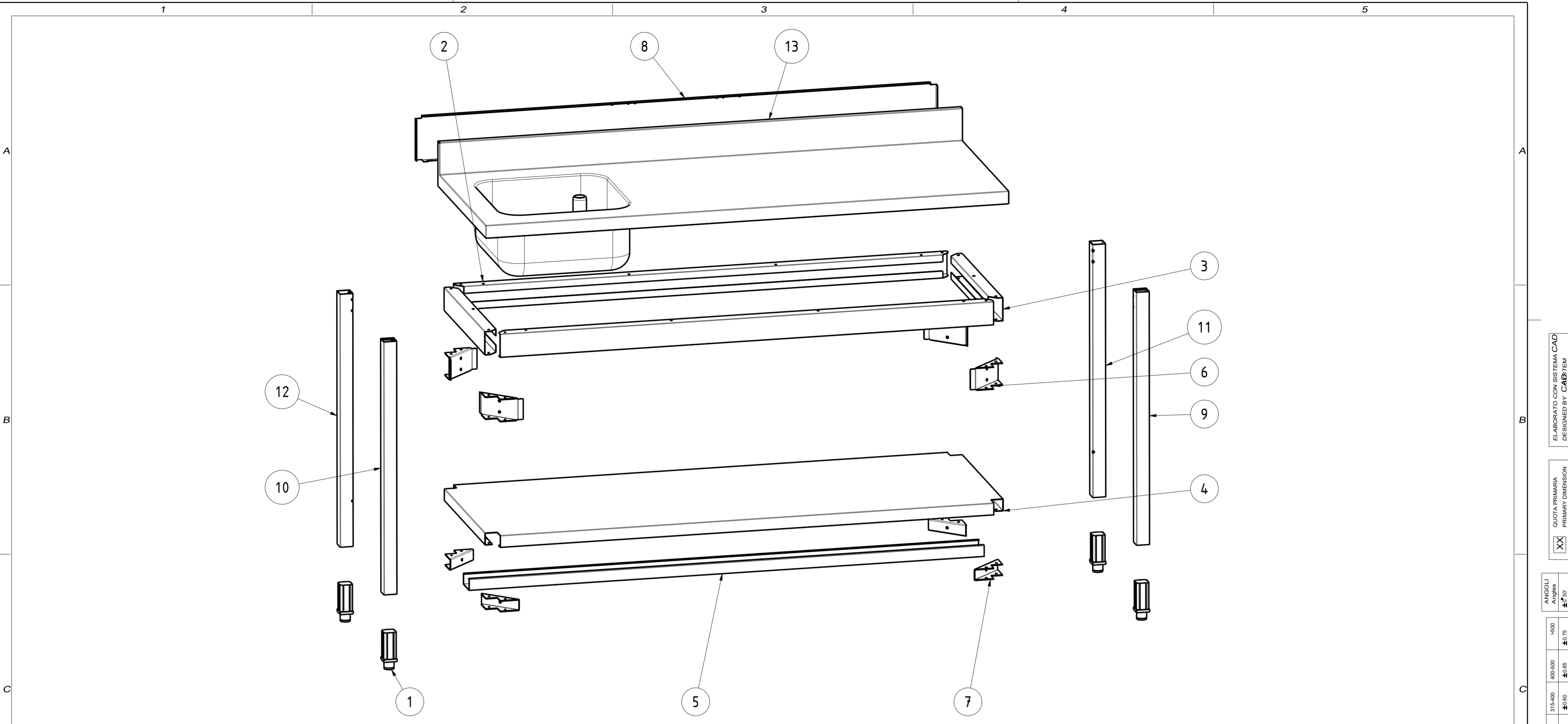


EXPLOSIONSZEICHNUNG



KBS Gastrotechnik GmbH – Schoßbergstraße 26 – 65201 Wiesbaden

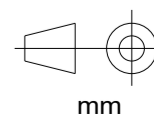


13	PIA_CHEF_166A_1VS_40-40-20	1	TABLE DU CHEF 160x60 ALZATINA - 1 VASCA SX 40x40h20	TABLE DU CHEF 160x60 UPSTAND - 1 BASIN LEFT 40x40h20
12	NT3716_PS	1	GAMBA 40x40 TAVOLO 3 FORI H780 (COR RIP) DSTG	LEG 40x40 TABLES 3 HOLES H780 (COR RIP) DSTG
11	NT3716_PD	1	GAMBA 40x40 TAVOLO 3 FORI H780 (COR RIP) DSTG	LEG 40x40 TABLES 3 HOLES H780 (COR RIP) DSTG
10	NT3716_AS	1	GAMBA 40x40 TAVOLO 3 FORI H780 (COR RIP) DSTG	LEG 40x40 TABLES 3 HOLES H780 (COR RIP) DSTG
9	NT3716_AD	1	GAMBA 40x40 TAVOLO 3 FORI H780 (COR RIP) DSTG	LEG 40x40 TABLES 3 HOLES H780 (COR RIP) DSTG
8	NT15551	1	CHIUSURA ALZATINA LAVATOI L160	SINK UPSTAND BACK L160
7	NT1980	4	PIASTRA ANGOLO FIX PIANO FONDO	CORNER PLATE FIXING SHELF BOTTOM
6	NT1979	4	PIASTRA ANGOLO CORN FIX GAMBE	CORNER PLATE FIXING LEGS
5	NT274	1	OMEGA PIANO FONDO L160	REINFORCEMENT L160
4	NT256	1	PIANO DI FONDO 160x60	BASE SHELF 160x60
3	NT248	2	SEMICORNICE LATERALE P60	LATERAL FRAME P60
2	NT245	2	SEMICORNICE ANTER/POSTER L160	FRONT/REAR FRAME L160
1	DSPIEDTG_3	4	PIEDINO GAMBA QUADRA 40x40	DSPIEDTG - SQUARE FOOT FOR LEG 40x40
ITEM NO	PART NUMBER	QTY	DESCRIPTION	

DATA DATE	MODIF. N. MODIF. NO.	DESCRIZIONE MODIFICHE MODIFICATION DESCRIPTION	DISegnATO DRAWN BY	APPROVATO APPROVED
MODELLO MODEL	TABLE DU CHEF 160x60 1 VASCA SX 40x40x20 ALZATINA TABLE DU CHEF 160x60 1 BASIN LEFT 40x40x20 UPSTAND		DISegno N. DRAWING NO. DSTLG1VS166A	SCALA SCALE -
PARTICOLARE DETAIL	VISTA ESPLOSA EXPLODED VIEW		DISegnATO DRAWN BY M.PAPI	DATA DATE -
MATERIALE MATERIAL	AISI 304 - AISI 430	SPess. THICK. -	APPROVATO APPROVED	SHEET 3 OF 3
FINITURA FINISH		PEZZI N. PIECES NO.	SOSTITUISCE IL DIS. N. IT REPLACES DRAWING NO.	ULTIMA EMISS. LAST EDITION
TRATTAMENTO TREATMENT	COLORE COLOUR		SOSTITUITO DAL DIS. N. REPLACED BY DRAWING NO.	

RISTOPRO
PROFESSIONAL CATERING EQUIPMENT

RISTOPRO SRL
FRAZ. BORGO TUFICO, 47 FABRIANO (AN)
ITALY +39.732.043494
WWW.RISTOPRO.COM



FORM.A-2

ELABORATO CON SISTEMA CAD
DESIGNED BY CAD/STEM
 QUOTA PRIMARIA
PRIMARY DIMENSION
 XX
 ANGOLI
Angles
 >500 ±0.75
 400-500 ±0.65
 315-400 ±0.60
 250-315 ±0.55
 180-250 ±0.50
 120-180 ±0.45
 80-120 ±0.40
 50-80 ±0.35
 30-50 ±0.30
 10-30 ±0.25
 5-10 ±0.15
 0-5 ±0.10
 LUNGH. E DIAM.
LENGTH AND DIAM.
 TOLLERANZA UNLESS OTHERWISE STATED
 TOLERANCE