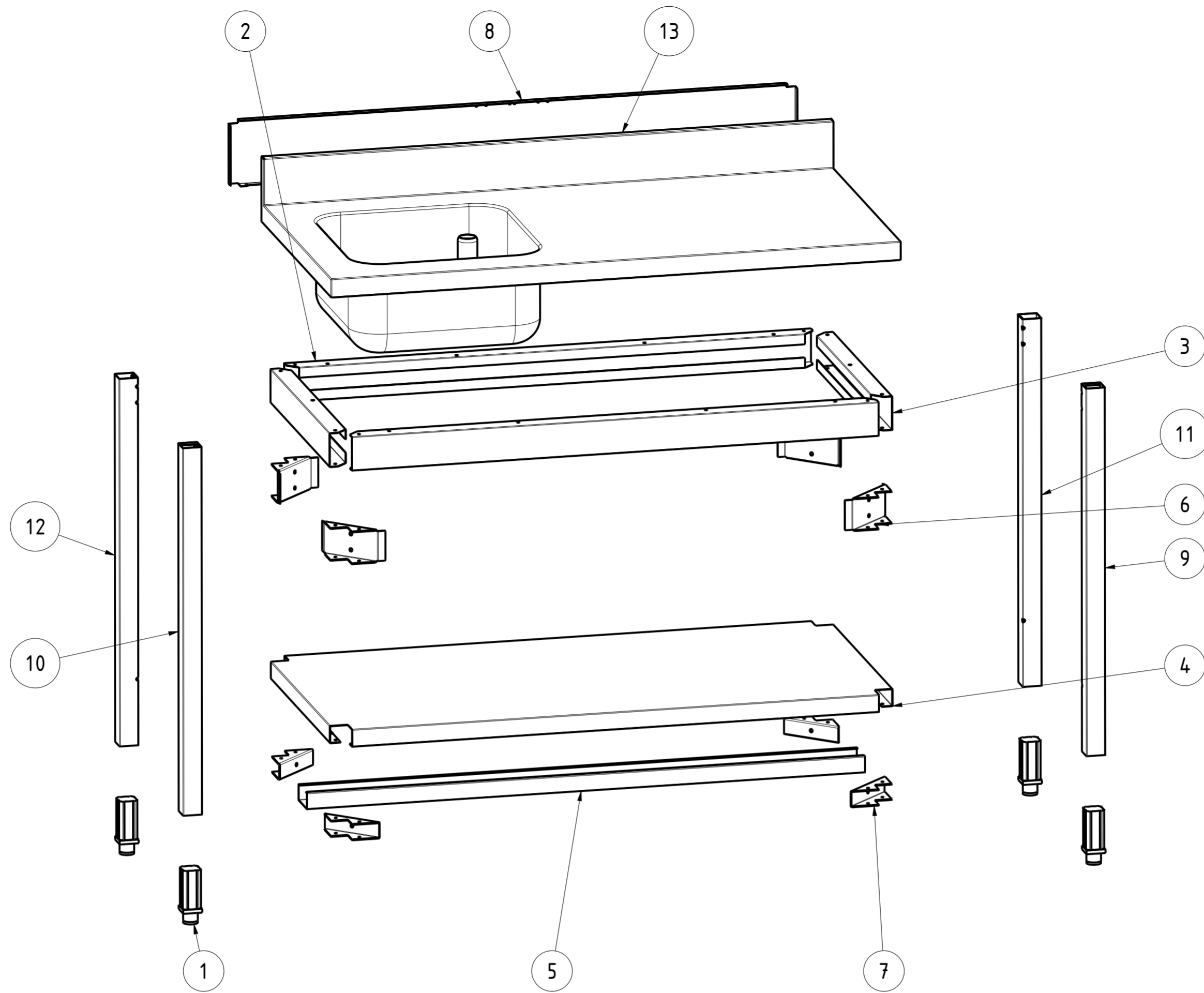


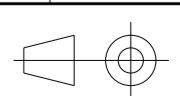
EXPLOSIONSZEICHNUNG



KBS Gastrotechnik GmbH – Schoßbergstraße 26 – 65201 Wiesbaden



13	PIA_CHEF_126A_1VS_40-40-20	1	TABLE DU CHEF 120x60 ALZATINA - 1 VASCA SX 40x40h20	TABLE DU CHEF 120x60 UPSTAND - 1 BASIN LEFT 40x40h20
12	NT3716_PS	1	GAMBA 40x40 TAVOLO 3 FORI H780 (COR RIP) DSTG	LEG 40x40 TABLES 3 HOLES H780 (COR RIP) DSTG
11	NT3716_PD	1	GAMBA 40x40 TAVOLO 3 FORI H780 (COR RIP) DSTG	LEG 40x40 TABLES 3 HOLES H780 (COR RIP) DSTG
10	NT3716_AS	1	GAMBA 40x40 TAVOLO 3 FORI H780 (COR RIP) DSTG	LEG 40x40 TABLES 3 HOLES H780 (COR RIP) DSTG
9	NT3716_AD	1	GAMBA 40x40 TAVOLO 3 FORI H780 (COR RIP) DSTG	LEG 40x40 TABLES 3 HOLES H780 (COR RIP) DSTG
8	NT15547	1	CHIUSURA ALZATINA LAVATOI L120	SINK UPSTAND BACK L120
7	NT1980	4	PIASTRA ANGOLO FIX PIANO FONDO	CORNER PLATE FIXING SHELF BOTTOM
6	NT1979	4	PIASTRA ANGOLO CORN FIX GAMBE	CORNER PLATE FIXING LEGS
5	NT271	1	OMEGA PIANO FONDO L120	REINFORCEMENT L120
4	NT253	1	PIANO DI FONDO 120x60	BASE SHELF 120x60
3	NT248	2	SEMICORNICE LATERALE P60	LATERAL FRAME P60
2	NT242	2	SEMICORNICE ANTER/POSTER L120	FRONT/REAR FRAME L120
1	DSPIEDTG_3	4	PIEDINO GAMBA QUADRA 40x40	DSPIEDTG - SQUARE FOOT FOR LEG 40x40
ITEM NO	PART NUMBER	QTY	DESCRIPTION	

DATA DATE	MODIF. N. MODIF. NO.	DESCRIZIONE MODIFICHE MODIFICATION DESCRIPTION	DISegnATO DRAWN BY	APPROVATO APPROVED
MODELLO MODEL	TABLE DU CHEF 120x60 1 VASCA SX 40x40x20 ALZATINA TABLE DU CHEF 120x60 1 BASIN LEFT 40x40x20 UPSTAND		DISegno N. DRAWING NO. DSTLG1VS126A	SCALA SCALE -
PARTICOLARE DETAIL	VISTA ESPLOSA EXPLODED VIEW		DISegnATO DRAWN BY M.PAPI	DATA DATE -
MATERIALE MATERIAL	AISI 304 - AISI 430	SPES.S. THICK. -	APPROVATO APPROVED	SHEET 3 OF 3
FINITURA FINISH		PEZZI N. PIECES NO.	SOSTITUISCE IL DIS. N. IT REPLACES DRAWING NO.	ULTIMA EMISS. LAST EDITION
TRATTAMENTO TREATMENT		COLORE COLOUR	SOSTITUITO DAL DIS. N. REPLACED BY DRAWING NO.	
RISTOPRO PROFESSIONAL CATERING EQUIPMENT		RISTOPRO SRL FRAZ. BORGO TUFICO, 47 FABRIANO (AN) ITALY +39.732.043494 WWW.RISTOPRO.COM		 mm

ELABORATO CON SISTEMA CAD
DESIGNED BY CAD/STEM

QUOTA PRIMARIA
PRIMARY DIMENSION
XX

ANGOLI
Angles
30°

>500
±0.75
400-500
±0.65
315-400
±0.60
250-315
±0.55

120-180
±0.45
80-120
±0.40
50-80
±0.35
30-50
±0.30

10-18
±0.20
5-10
±0.15

0-5
±0.10
LUNGH. E DIAM.
LENGHT AND DIAM.
FORM.A-2

TOLERANCE UNLESS OTHERWISE STATED