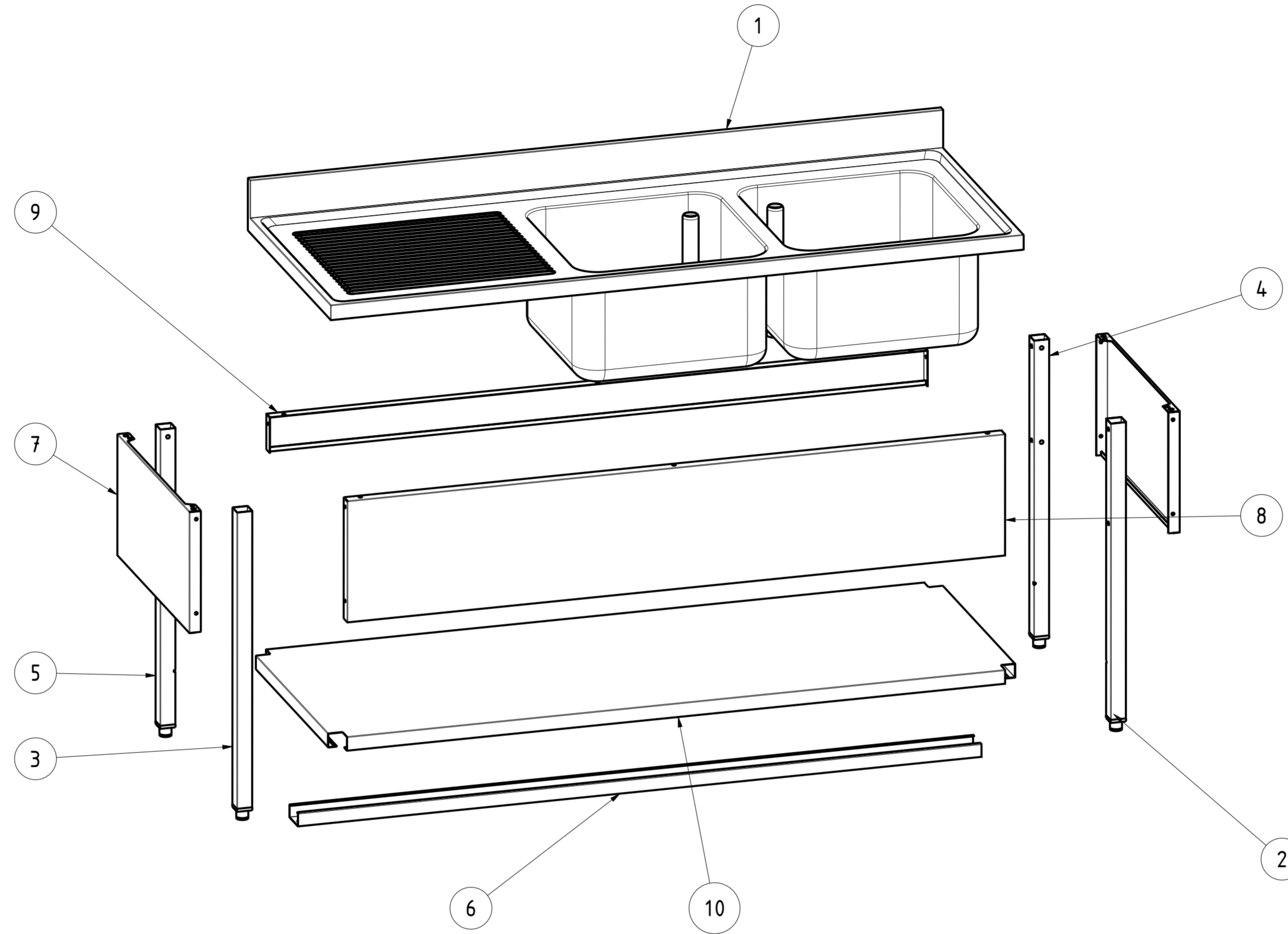


EXPLOSIONSZEICHNUNG



KBS Gastrotechnik GmbH – Schoßbergstraße 26 – 65201 Wiesbaden



ITEM NO	PART NUMBER	QTY	DESCRIPTION	
10	NT10717	1	PIANO DI FONDO SALDATO 180x70	BASE WELDED SHELF 180x70
9	NT412	1	PANNELLO CHIUSURA POSTER. L180	REAR CLOSURE PANEL L180
8	NT403	1	PANNELLO CHIUSURA ANTER. L180	FRONT PANEL SINK ON LEGS L180
7	NT395	2	PANNELLO CHIUSURA LATER. P70	LATERAL PANEL SINK ON SQUARE LEGS P70
6	NT275	1	OMEGA PIANO FONDO L180	REINFORCEMENT L180
5	ASS_LEG_ACQ_SINK_PS_1R	1	ASS LEG SINK BACK LEFT	ASS LEG SINK BACK LEFT
4	ASS_LEG_ACQ_SINK_PD_1R	1	ASS LEG SINK BACK RIGHT	ASS LEG SINK BACK RIGHT
3	ASS_LEG_ACQ_SINK_AS_1R	1	ASS LEG SINK FRONT LEFT	ASS LEG SINK FRONT LEFT
2	ASS_LEG_ACQ_SINK_AD_1R	1	ASS LEG SINK FRONT RIGHT	ASS LEG SINK FRONT RIGHT
1	ASS_LAV_2VGS187	1	ASS LAVELLO 180x70 2 VASCHE 50x50 GOCC SX	SINK ASSEMBLY 180x70 2 BASIN 50x50 LEFT DRAWER

DATA DATE	MODIF. N. MODIF. NO.	DESCRIZIONE MODIFICHE MODIFICATION DESCRIPTION	DISegnATO DRAWN BY	APPROVATO APPROVED
MODELLO MODEL		LAVATOIO 2 VASCHE GOCC SX 180x70 SALDATO SINK 2 BASIN DRAINER LEFT 180x70 WELDED	DISegno N. DRAWING NO. DSNLG2VGS187T	SCALA SCALE -
PARTICOLARE DETAIL		ESPLOSO EXPLODED VIEW	DISegnATO DRAWN BY M.PAPI	DATA DATE -
MATERIALE MATERIAL			APPROVATO APPROVED	SHEET 3 OF 3
FINITURA FINISH			PEZZI N. PIECES NO.	SOSTITUISCE IL DIS. N. IT REPLACES DRAWING NO.
TRATTAMENTO TREATMENT			COLORE COLOUR	SOSTITUITO DAL DIS. N. REPLACED BY DRAWING NO.
				ULTIMA EMISS. LAST EDITION

RISTOPRO PROFESSIONAL CATERING EQUIPMENT
 RISTOPRO SRL
 FRAZ. BORGO TUFICO, 47 FABRIANO (AN)
 ITALY +39.732.043494
 WWW.RISTOPRO.COM

mm
 FORM.A-2

ELABORATO CON SISTEMA CAD DESIGNED BY CADSTEM
 QUOTA PRIMARIA PRIMARY DIMENSION XX
 ANGOLI Angles 30°
 TOLLERANZA UNLESS OTHERWISE STATED
 QUOTE SENZA TOLLERANZA
 >500 ±0.75
 400-500 ±0.65
 315-400 ±0.60
 250-315 ±0.55
 180-250 ±0.50
 120-180 ±0.45
 80-120 ±0.40
 50-80 ±0.35
 30-50 ±0.30
 18-30 ±0.25
 10-18 ±0.20
 5-10 ±0.15
 0-5 ±0.10
 LUNGH. E DIAM. LENGTH AND DIAM.