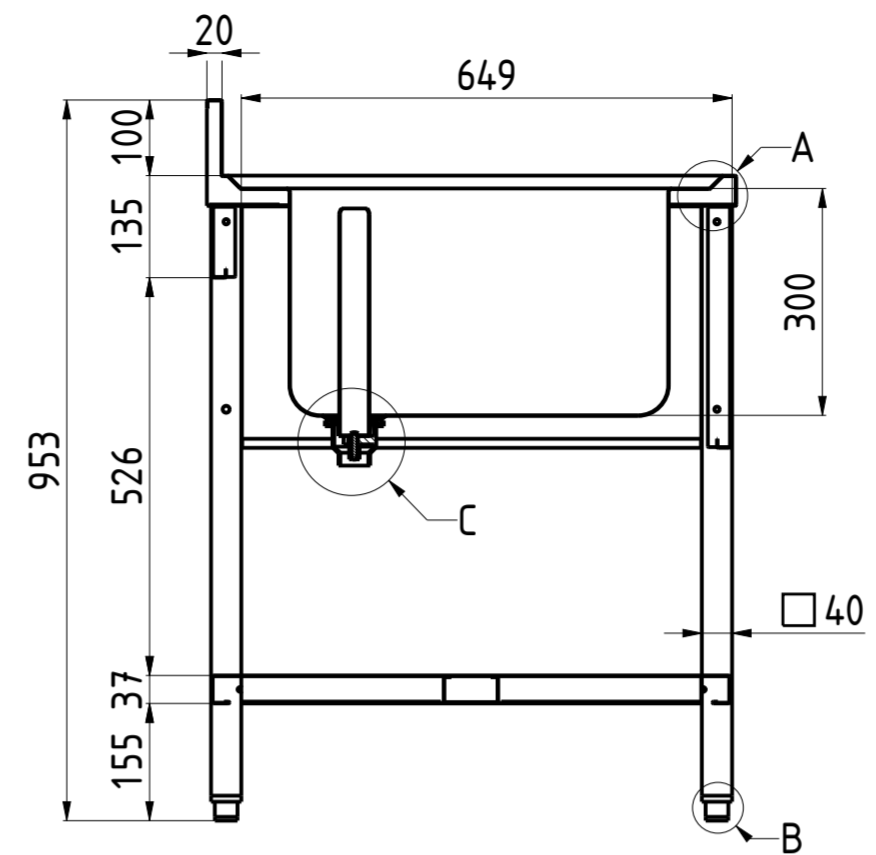
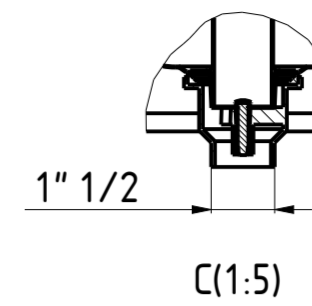


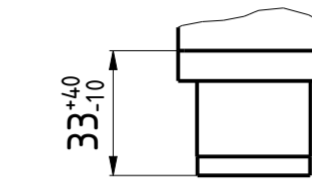
FRONT VIEW 1:10



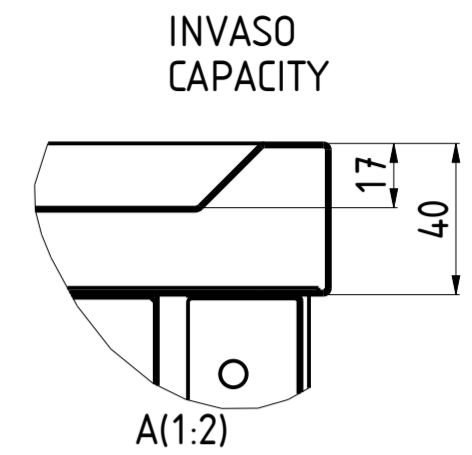
C-C



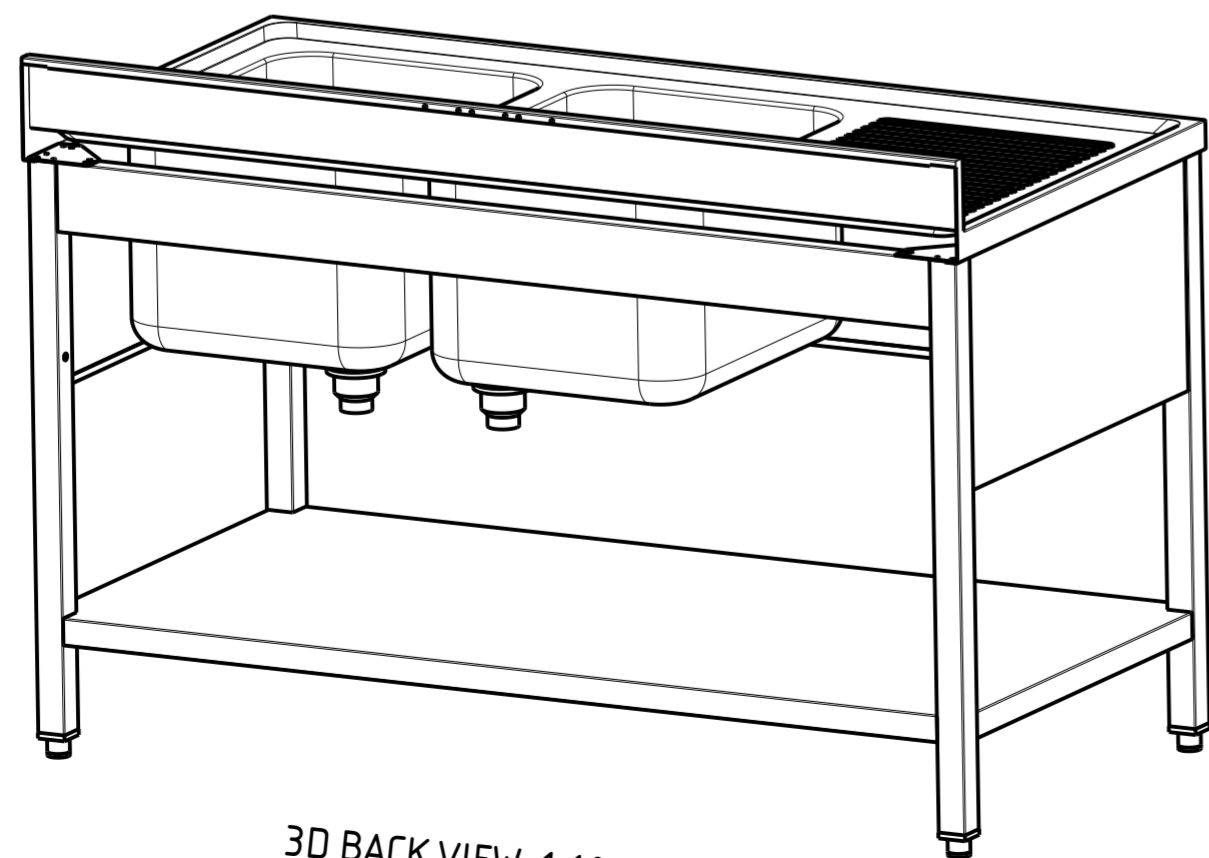
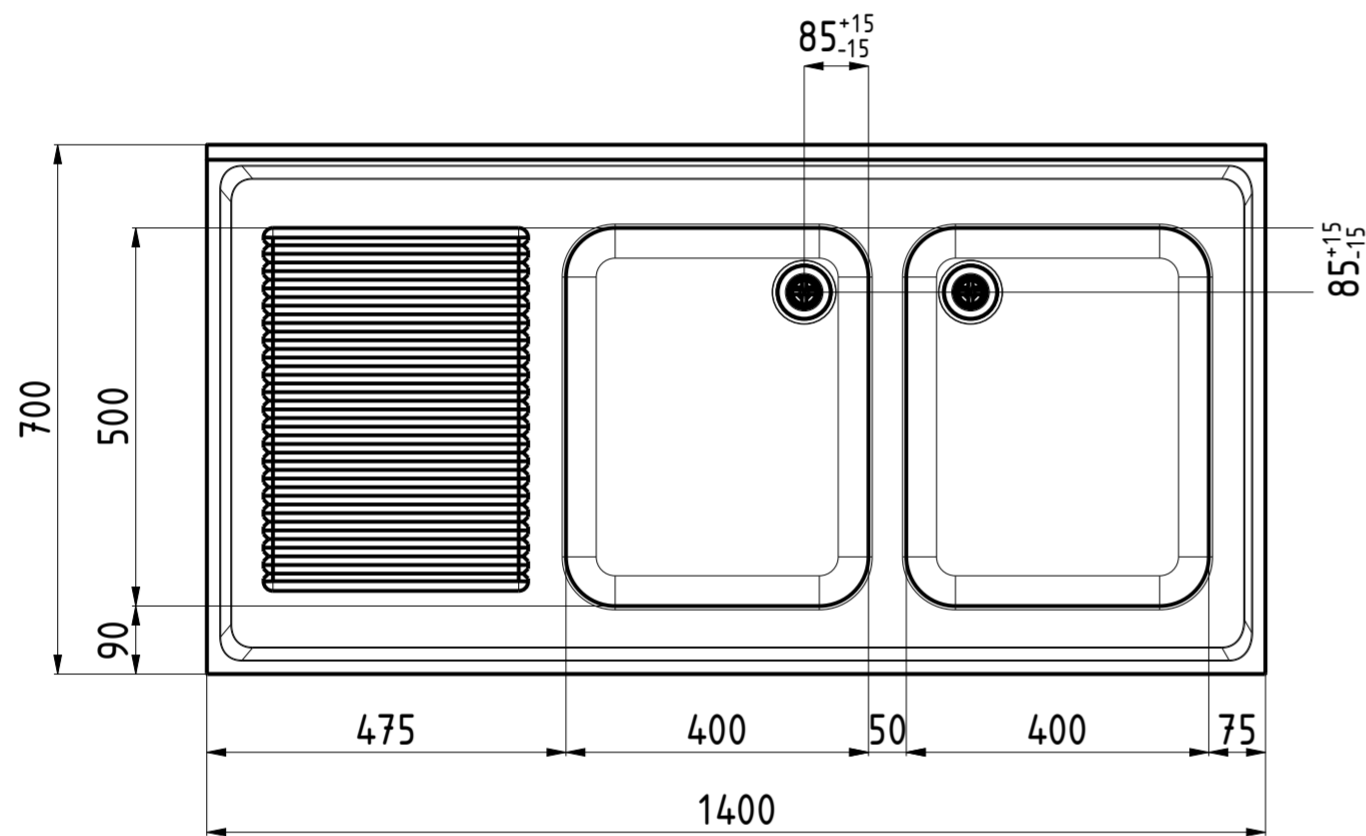
A(1:2)



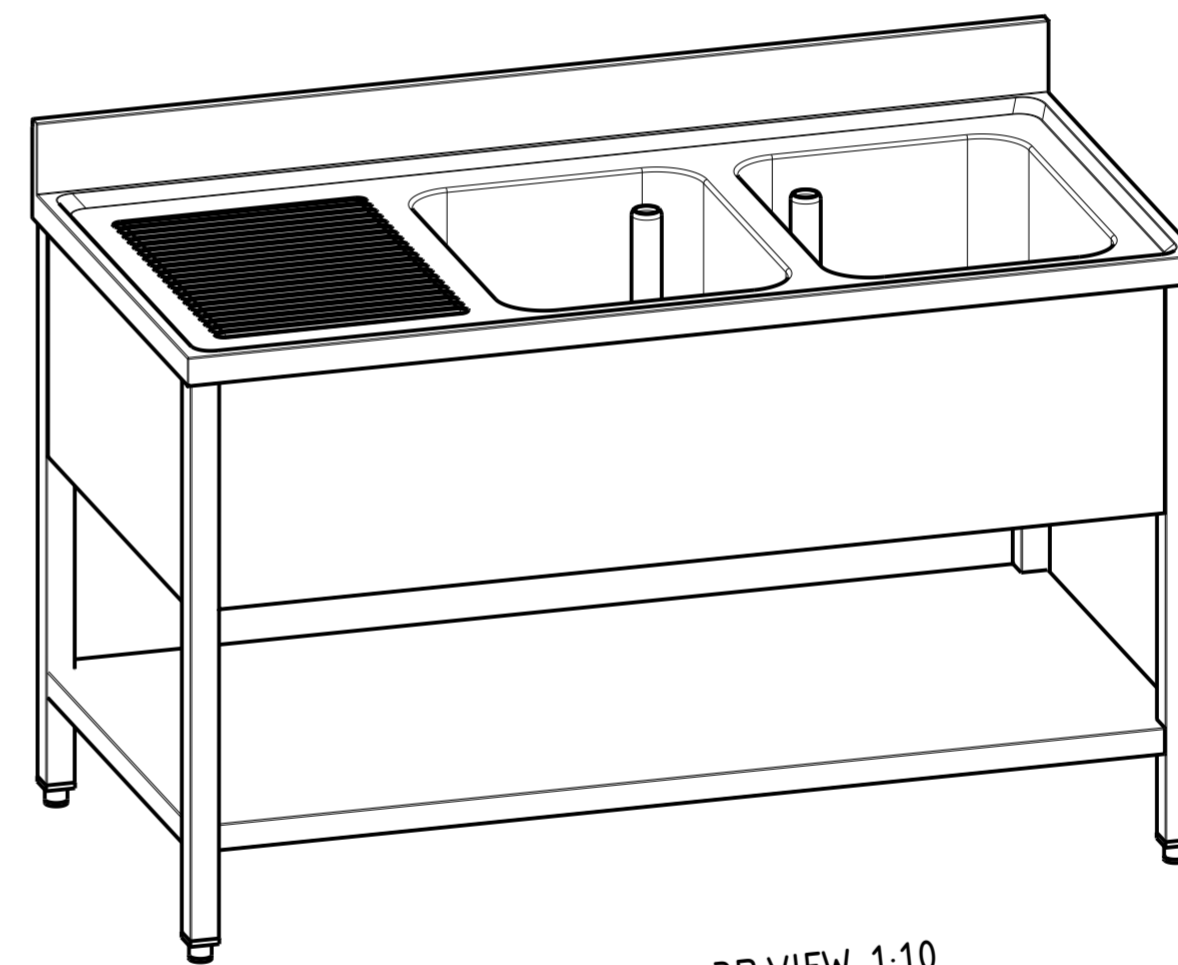
B(1:2)



A(1:2)



3D BACK VIEW 1:10



3D VIEW 1:10

DATA DATE	MODIF. N. MODIF. NO.	DESCRIZIONE MODIFICHE MODIFICATION DESCRIPTION	DISegnATO DRAWN BY	APPROVATO APPROVED
MODELLO MODEL	LAVATOIO 2 VASCHE GOCC SX 140x70 SALDATO SINK 2 BASIN DRAINER LEFT 140x70 WELDED		DISEGNO N. DRAWING NO.	SCALA SCALE
			DSNLG2VGS147T	-
PARTICOLARE DETAIL	SCHEDA TECNICA DATA SHEET		DISEGNATO DRAWN BY	DATA DATE
MATERIALE MATERIAL	SPESS. THICK.	APPROVATO APPROVED	SHEET 2 OF 3	
FINITURA FINISH	PEZZI N. PIECES NO.	SOSTITUISCE IL DIS. N. IT REPLACES DRAWING NO.	ULTIMA EMISS. LAST EDITION	
TRATTAMENTO TREATMENT	COLORE COLOUR	SOSTITUITO DAL DIS. N. REPLACED BY DRAWING NO.		
		RISTOPRO SRL FRAZ. BORGO TUFICO, 47 FABRIANO (AN) ITALY +39.732.043494 WWW.RISTOPRO.COM		
FORM.A-2				

ELABORATO CON SISTEMA CAD DESIGNED BY CADSYSTEM  
 QUOTA PRIMARIA PRIMARY DIMENSION XX  
 ANGOLI Angles 30° ±0.30°  
 TOLLERANZA UNLESS OTHERWISE STATED  
 QUOTE SENZA TOLLERANZA  
 >500 ±0.75  
 400-500 ±0.65  
 315-400 ±0.60  
 250-315 ±0.55  
 180-250 ±0.50  
 120-180 ±0.45  
 80-120 ±0.40  
 50-80 ±0.35  
 30-50 ±0.30  
 18-30 ±0.25  
 10-18 ±0.20  
 5-10 ±0.15  
 0-5 ±0.10  
 LUNGH. E DIAM. LENGTH AND DIAM.