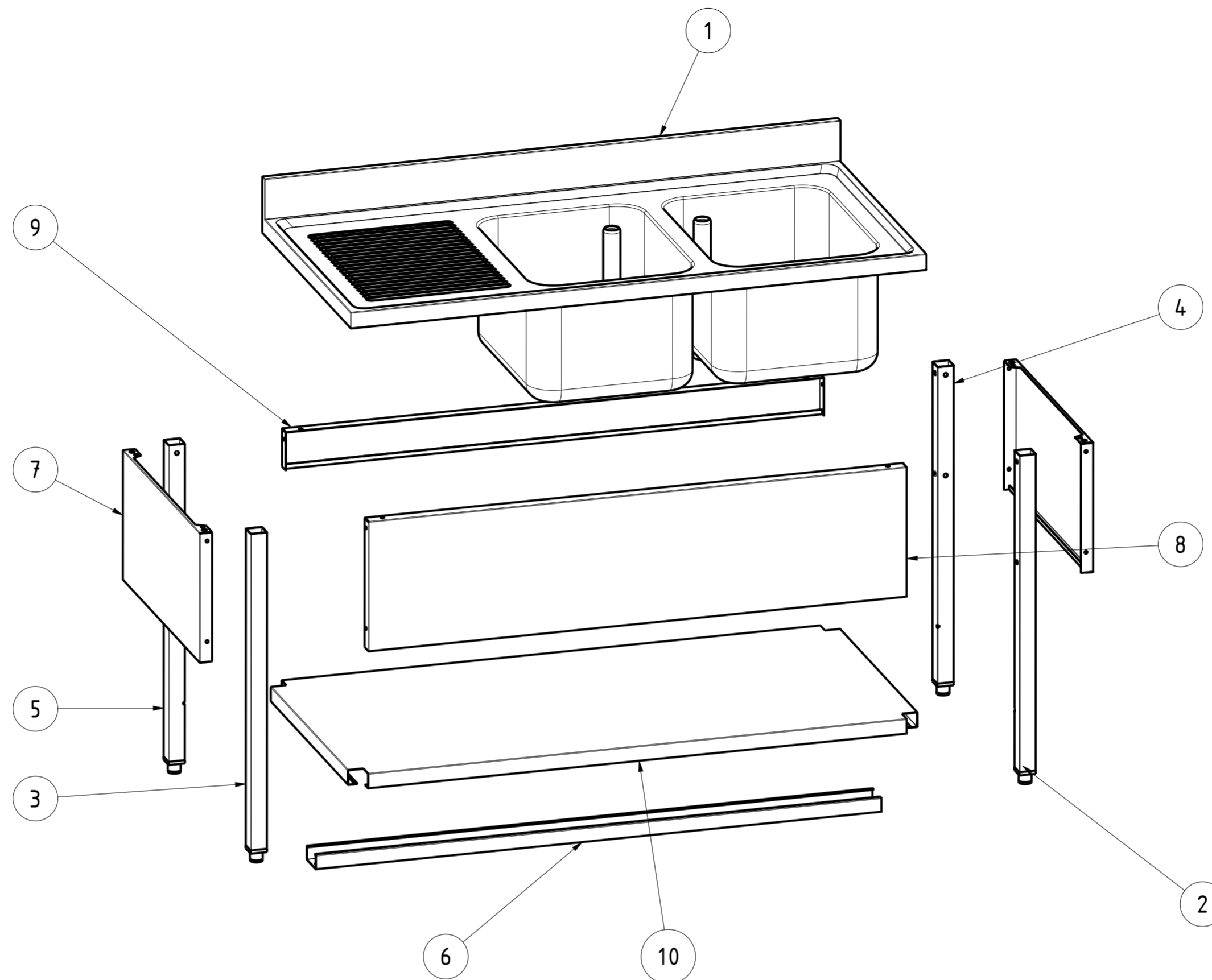


EXPLOSIONSZEICHNUNG



KBS Gastrotechnik GmbH – Schoßbergstraße 26 – 65201 Wiesbaden



ITEM NO	PART NUMBER	QTY	DESCRIPTION	
10	NT10622	1	PIANO DI FONDO SALDATO 140x70	BASE WELDED SHELF 140x70
9	NT409	1	PANNELLO CHIUSURA POSTER. L140	REAR CLOSURE PANEL L140
8	NT400	1	PANNELLO CHIUSURA ANTER. L140	FRONT PANEL SINK ON LEGS L140
7	NT395	2	PANNELLO CHIUSURA LATER. P70	LATERAL PANEL SINK ON SQUARE LEGS P70
6	NT272	1	OMEGA PIANO FONDO L140	REINFORCEMENT L140
5	ASS_LEG_ACQ_SINK_PS_1R	1	ASS LEG SINK BACK LEFT	ASS LEG SINK BACK LEFT
4	ASS_LEG_ACQ_SINK_PD_1R	1	ASS LEG SINK BACK RIGHT	ASS LEG SINK BACK RIGHT
3	ASS_LEG_ACQ_SINK_AS_1R	1	ASS LEG SINK FRONT LEFT	ASS LEG SINK FRONT LEFT
2	ASS_LEG_ACQ_SINK_AD_1R	1	ASS LEG SINK FRONT RIGHT	ASS LEG SINK FRONT RIGHT
1	ASS_LAV_2VGS147	1	ASS LAVELLO 140x70 2 VASCHE 40x50 GOCC SX	SINK ASSEMBLY 140x70 2 BASIN 40x50 LEFT DRAWER

DATA DATE	MODIF. N. MODIF. NO.	DESCRIZIONE MODIFICHE MODIFICATION DESCRIPTION	DISegnATO DRAWN BY	APPROVATO APPROVED
MODELLO MODEL		LAVATOIO 2 VASCHE GOCC SX 140x70 SALDATO SINK 2 BASIN DRAINER LEFT 140x70 WELDED	DISegno N. DRAWING NO. DSNLG2VGS147T	SCALA SCALE -
PARTICOLARE DETAIL		ESPLOSO EXPLODED VIEW	DISegnATO DRAWN BY M.PAPI	DATA DATE -
MATERIALE MATERIAL		SPESS. THICK.	APPROVATO APPROVED	SHEET 3 OF 3
FINITURA FINISH		PEZZI N. PIECES NO.	SOSTITUISCE IL DIS. N. IT REPLACES DRAWING NO.	ULTIMA EMISS. LAST EDITION
TRATTAMENTO TREATMENT		COLORE COLOUR	SOSTITUITO DAL DIS. N. REPLACED BY DRAWING NO.	

RISTOPRO PROFESSIONAL CATERING EQUIPMENT
 RISTOPRO SRL
 FRAZ. BORGO TUFICO, 47 FABRIANO (AN)
 ITALY +39.732.043494
 WWW.RISTOPRO.COM

mm

FORM.A-2

ELABORATO CON SISTEMA CAD
DESIGNED BY CADSTEM

QUOTA PRIMARIA
PRIMARY DIMENSION
XX

ANGOLI
Angles
30°

TOLLERANZA UNLESS OTHERWISE STATED

>500	±0.75
400-500	±0.65
315-400	±0.60
250-315	±0.55
180-250	±0.50
120-180	±0.45
80-120	±0.40
50-80	±0.35
30-50	±0.30
18-30	±0.25
10-18	±0.20
5-10	±0.15
0-5	±0.10

QUOTE SENZA TOLLERANZA
DIMENSIONS WITHOUT TOLERANCES

LUNGH. E DIAM.
LENGTH AND DIAM.