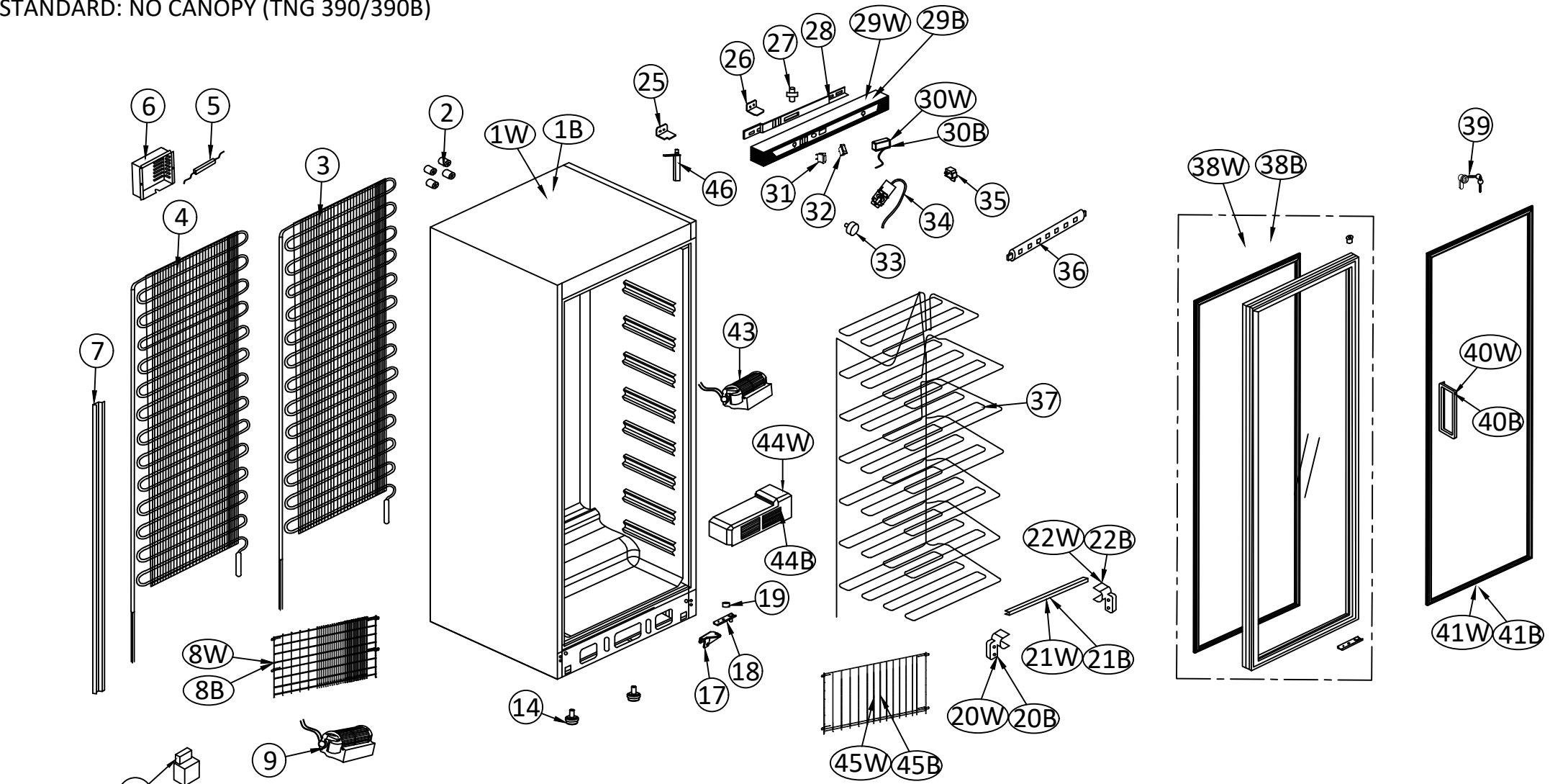


EXPLOSIONSZEICHNUNG



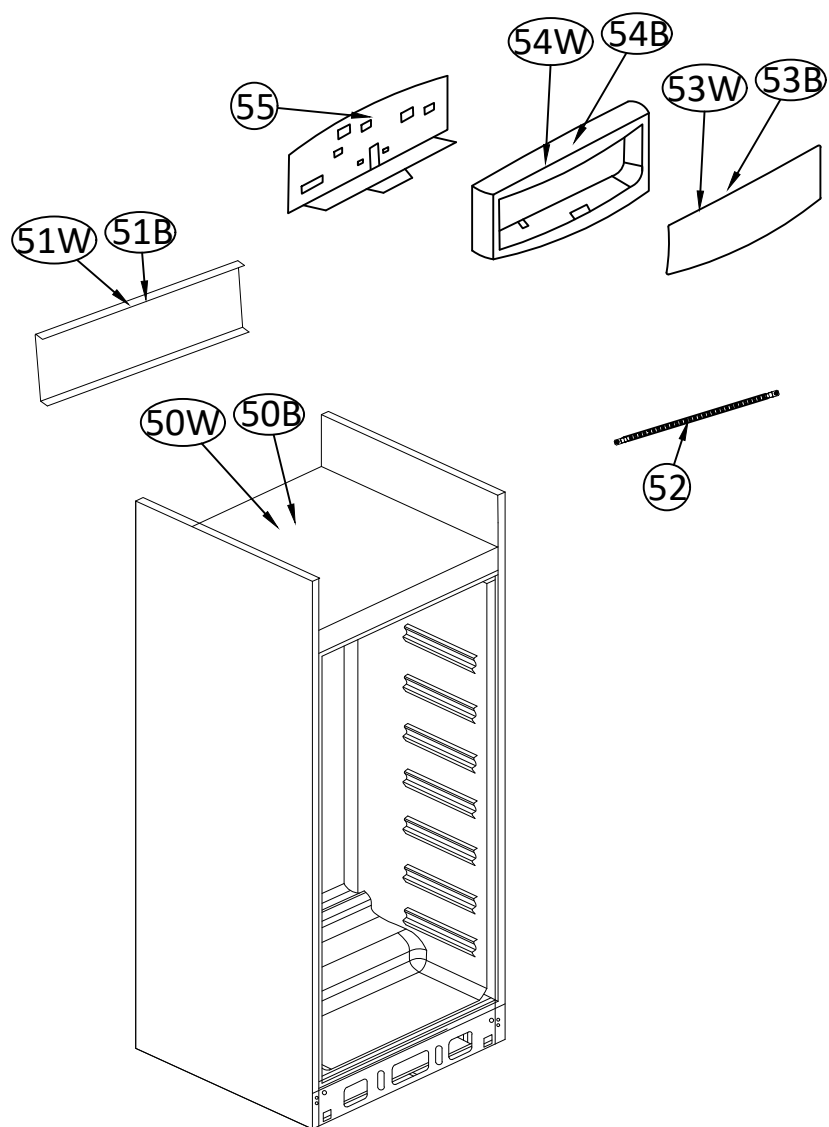
KBS Gastrotechnik GmbH – Schoßbergstraße 26 – 65201 Wiesbaden

STANDARD: NO CANOPY (TNG 390/390B)

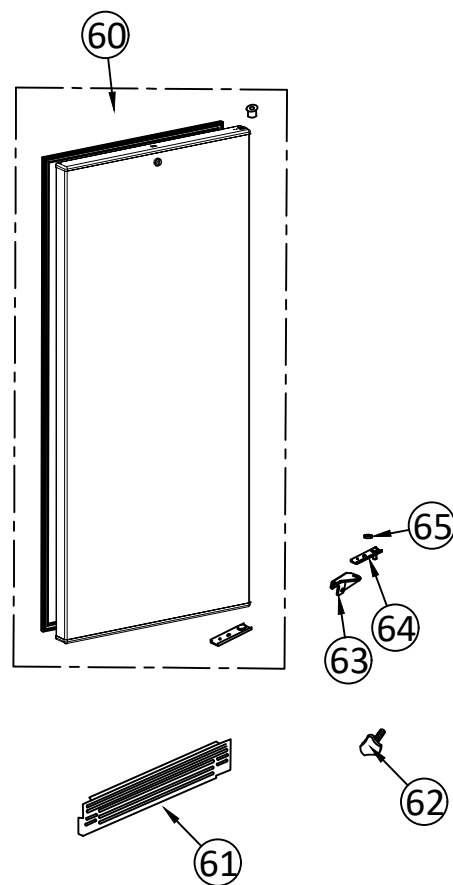



DATE:2023/02/28	VERSION:A3	Hinge spares part correction Deleted gasket TK 390	DESIGN BY: Alberto		
DATE:2020/09/14	VERSION:A2	New bottom front panel design/New LED light Unify the drawing for TNG/TN (White/Black)	DESIGN BY: Alberto		
DATE:2019/04/13	VERSION:A1	ADD NEW EVAPORATOR NET	DESIGN BY: Alberto		
		SCALE	MODEL	Q.TY	REMARKS
		1:1			
MATERIAL: S4		TN 390 - TNG 390/390B - TNG 390C/390CB			
DESIGN BY: Camilla		EXPLODED VIEW (Black and White)			
APPROVED BY: Alberto		CATEGORY	TYPE	GROUP	PART N°
DATE:2018/02/05		EV	1AF6	A3	0300

SPARES for ITEMS WITH CANOPY
(TNG 390C - TNG 390CB)



SPARES for ITEMS with SOLID DOOR
(TN 390)



DATE:2023/02/28	VERSION:A3	Hinge spares part correction Deleted gasket TK 390			DESIGN BY: Alberto
DATE:2020/09/14	VERSION:A2	New bottom front panel design/New LED light Unify the drawing for TNG/TN (White/Black)			DESIGN BY: Alberto
DATE:2019/04/13	VERSION:A1	ADD NEW EVAPORATOR NET			DESIGN BY: Alberto
		SCALE	MODEL	Q.TY	REMARKS
		1:1			
MATERIAL: S4		TN 390 - TNG 390/390B - TNG 390C/390CB			
DESIGN BY: Camilla		EXPLODED VIEW (Black and White)			
APPROVED BY: Alberto		CATEGORY	TYPE	GROUP	PART N°
DATE:2018/02/05		EV	1AF6	A3	0300

DRAWINGNO	DESCRIPTION	QTY
Disegno	Descrizione	Qta
	TNG 390/B/390C/CB - TN 390 - E XPLODED VIEW (Ver.A3 - S03)	1
1W	TNG 390/TN 390 - FOAMED ASSEMB LED BODY - (WHITE Col.-S03)	1
1B	TNG 390B - FOAMED ASSEMBLED BO DY (BLACK - S03)	1
2	TW Ser./TMG 390/TK Ser. - REAR HOLDER FOR CONDENSER-(S03)	4
3	TN 390/TNG 390/TNG 390C - WIRE CONDENSER N.1 (INNER SIDE)	1
4	TN 390/TNG 390/TNG 390C - WIRE CONDENSER N.2 (OUTER SIDE)	1
5	POWER SUPPLY MEANWELL LPH-18-1 2 (12V - 18W)	1
6	TW/TMG/TN/TNG 390/TK 388/390 - REAR BOX FOR LED CONV.(S03)	1
7	TW 400-TN/TNG 390/C-TMG 390/TK Series - REAR WIRE DUCT-(S03)	1
8W	TN/TNG/TMGTK Ser.TWS 400-REAR SAFETY EN.ROOM GRID(White-S03)	1
8B	TW/TWN 400 - REAR SAFETY ENGINE ROOM GRID- (Black-S03)	1
43	YJ61-16A-HZ03 HUNAN KELI TANGENTIAL FAN:220/240V,50/60Hz-27W	1
9	YJ61-16A-HZ03 HUNAN KELI TANGENTIAL FAN:220/240V,50/60Hz-27W	1
10	TW/TMG/TN/TNG/TK Series - ENGINE PLATE - (S03)	1
11	TW/TMG/TN/TNG 390/TK Ser.- ROLLER POSTERIORE FISSO	1
12	TW/TMG/TN/TNG 390/TK Ser. - BOTTOM WIRING HOLDER - (S03)	1
13A	EMTE2134U COMP.EMBRACO R290-22 0/240V 50Hz-3/8 HP CSIR:	1
13B	NEU2155U COMP.EMBRACO R290 - 2 20/240V 50Hz- 5/8 HP CSR:	1
14	TN/TNG/TK/TKG/TW Series - SET N.2 PIEDI FRONTALE	1
15	POWER CORD 3x1 mmq - EU PLUG - WHITE COLOR 3,0 Mt.	1
16	TW/TMG/TN/TNG 390/TK Ser. - FILTER DRIER 20g - (S03)	1
17	TNG Ser.- BOTTOM/RIGHT DOOR HINGE (FREEZER Glass Range-S03)	1
18	TNG Ser.- DOOR BOTTOM SEAT (FREEZER Glass Range - S03)	1
19	TNG Ser.- BOTTOM DOOR HINGE SPACER (FREEZER Glass Range-S03)	1
20W	TN 390/TNG 390/TNG 390C - LEFT SUPP.SHELVES EVAP.(WHITE-S03)	7
20B	TNG 390B/390CB - LEFT SUPP.FOR SHELVES EVAP.(BLACK-S03)	7
21W	TN 390/TNG 390/TNG 390C - FRONTAL EVAP.STRIPES (WHITE - S03)	7
21B	TNG 390B/390CB - FRONTAL EVAPORATORE STRIPES (BLACK-S03)	7
22W	TN 390/TNG 390/TNG 390C - RIGHT SUPP.SHELVES EVAP.(WHITE-S03)	7
22B	TNG 390B/390CB - RIGHT SUPP.FOR SHELVES EVAP.(BLACK-S03)	7
23W	TN/TNG 390 Ser.- BOTTOM FRONT PANEL (CURVE shape-GRAY - S03)	1
23B	TN/TNG 390B Ser.- BOTTOM FRONT PANEL (CURVE shape-BLACK-S03)	1
24W	TN/TNG 390/390C - THREAD PIVOT FOR BOTTOM FRONT PANEL	1
62	TN/TNG 390/390C - THREAD PIVOT FOR BOTTOM FRONT PANEL	1
24B	TNG 390B - THREAD PIVOT FOR BOTTOM FRONT PANEL (BLACK -S03)	1
25	TW 400/TN/TNG/TMG 390 - LEFT/UPPER HINGE - (S03)	1
26	TW 400/TK/TN/TNG/TMG 390 - RIG HT/UPPER HINGE - (S03)	1
27	TNG/TK/TKG/TMG 390 -TW 400 - U PPER DOOR PIVOT - (S03)	1
28	TW 400/TN/TNG 390-UPPER FRONT PANEL SUPPORT(BlackColor-S03)	1
29W	TN/TNG 390-FRONT PANEL(Digital Thermom.+ Knob hole GRAY-S03)	1
29B	TN/TNG 390B-FRONT PANEL(Digital Therm.+ Knob hole BLACK-S03)	1

DRAWINGNO	DESCRIPTION	QTY
Disegno	Descrizione	Qta
30W	WHITE DIG.THERMOM.-Dim.46X26-R ANGE -50~+80C-ELITECH:TPM-10F	1
30B	BLACK DIG.THERMOM.-Dim.46X26-R ANGE -50~+80C-ELITECH:TPM-10F	1
31	TW 400/TN/TK Series LIGHT SWIT CH: 250Vac (10A)/125Vac (20A)	1
32	LIGHT INDICATOR (GREEN COLOR - BLACK BODY) 250V-10A	1
33	TK Ser. TN/TNG 390/C - MANOPOLA TERMOSTATO	1
34	K50-L3459000 RANCO THERMOSTAT	1
35	UPRIGHT IC FAN SWITCH (2P) 250 VAC-0,26A, CONTACT NC	1
36	LED STRIPES LAMP-12VDC 5W-N.36 HIGH BRIGT+COVER and SUPPORT	1
37	TN 390 - TNG 390/C - EVAPORATORE A GRIGLIA	1
38W	TNG 390/TNG 390C - GLASS DOOR SET(Inc.GASKET/NO HANDLE -S03)	1
38B	TNG 390B/TNG 390CB - GLASS DOOR SET(BLACK/GASKET/NO HANDLE)	1
39	TNG 390 - LOCK + N.2 KEYS - (S03)	1
40W	TN/TNG/TMG/TKG 390/C - MANIGLIA	1
40B	TKG 390B/TKG 390CB -ALUMINIUM RECTANGULAR HANDLE (BLACK-S03)	1
41W	TNG 390/TNG 390C - GUARNIZIONE PORTA)	1
41B	TNG 390B/TNG 390CB - DOOR GASKET - (BLACK Color - S03)	1
42	MECS0150VAL-0003 TRANSFORMER (5 4V - 100W)+HEATING WIRE	1
43	YJ61-16A-HZ03 HUNAN KELI TANGENTIAL FAN:220/240V,50/60Hz-27W	1
9	YJ61-16A-HZ03 HUNAN KELI TANGENTIAL FAN:220/240V,50/60Hz-27W	1
44W	TNG 390 - INNER AIR CONVEYOR (WHITE Color - S03)	1
44B	TNG 390B - INNER AIR CONVEYOR (BLACK Color - S03)	1
45W	TNG 390/C - FRONTAL EVAPORATOR NET - (WHITE Col - S03)	6
45B	TNG 390B/CB - FRONTAL EVAPORATOR NET - (BLACK - S03)	6
46	TKG 388/390/TW Series - SELF CLOSING - (S03)	1
50W	TNG 390C - FOAMED ASSEMBLED BO DY - (WHITE Col.-S03)	1
50B	TNG 390CB - FOAMED ASSEMBLED B ODY - (BLACK Col-S03)	1
51W	TNG/TMG 390C -TKG 388C/390C - REAR/UPPER COVER PANEL - (S03)	1
51B	TKG 408CB-TKG 388CB/390CB -REAR/UPPER COVER PANEL(Black-S03)	1
52	LED STRIPES LAMP-12VDC 5W-N.42 HIGH BRIGHTNESS	1
53W	TKG 388C/390C - FRONTAL COVER for CURVE CANOPY (White - S03)	1
53B	TKG 388CB/390CB - FRONTAL COVER for CURVE CANOPY (Black-S03)	1
54W	TNG 390C - CURVE CANOPY FRAME (Gray/RAL9006 - S03)	1
54B	TNG 390CB - CURVE CANOPY FRAME (Black/RAL9005 - S03)	1
55	TKG 388C/390C - LIGHT/FRAME HOLDER for CURVE CANOPY - (S03)	1
60	TN/TK 390 - SOLID DOOR SET(Inc.GASKET+ NO HANDLE) - (S03)	1
61	TN 390 - FLAT BOTTOM PANEL with HOLE for PIVOT (GRAY - S03)	1
24W	TN/TNG 390/390C - THREAD PIVOT FOR BOTTOM FRONT PANEL	1
62	TN/TNG 390/390C - THREAD PIVOT FOR BOTTOM FRONT PANEL	1
63	TNG/TK/TKG - BOTTOM/RIGHT DOOR HINGE - (S03)	1
64	TW/TNG/TMG/TK Series - UPPER AND BOTTOM DOOR PIVOT - (S03)	1
65	TW/TNG/TK Series - INSERT FOR DOOR PIVOT - (S03)	1