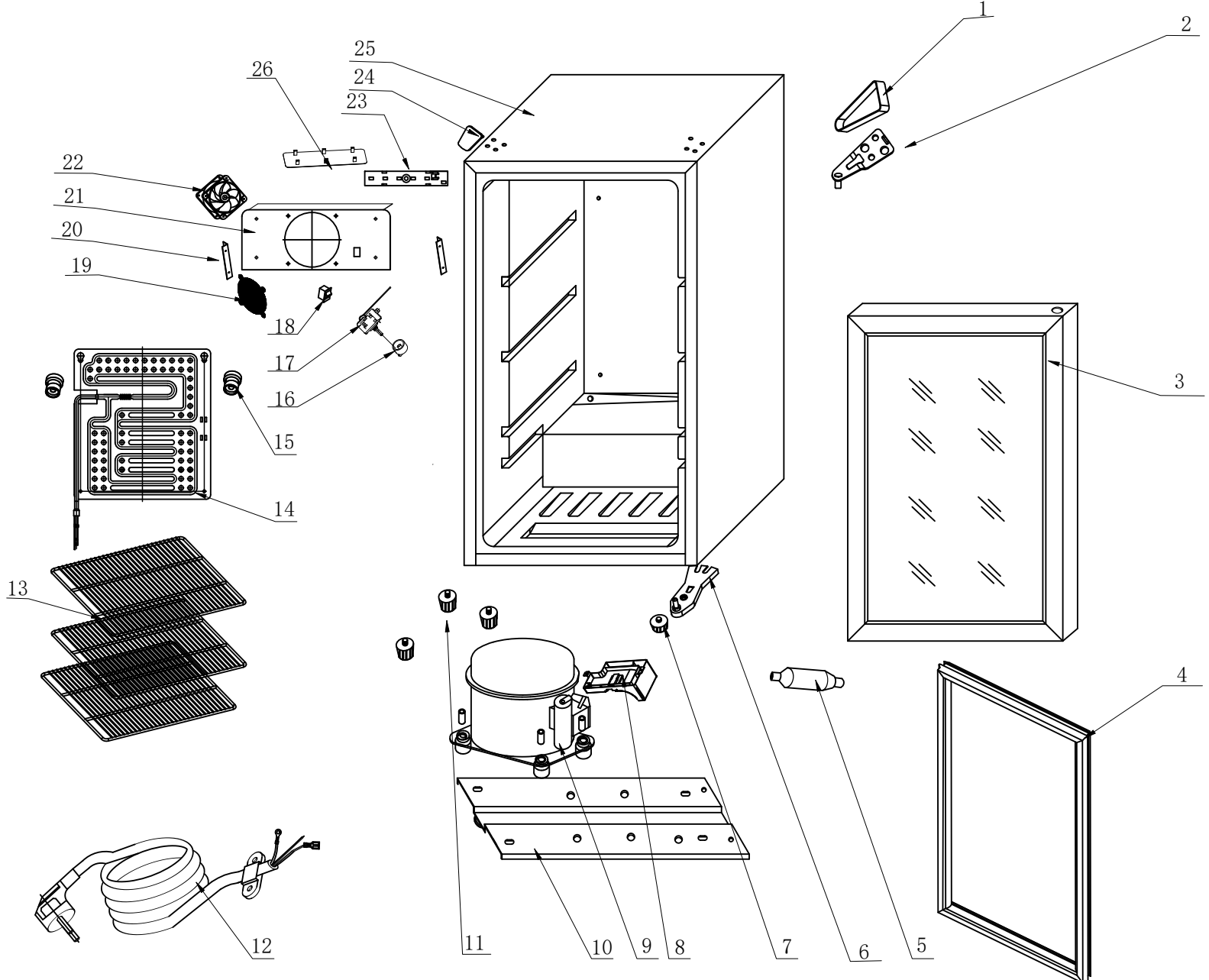


# EXPLOSIONSZEICHNUNG



KBS Gastrotechnik GmbH – Schoßbergstraße 26 – 65201 Wiesbaden



## 7. List of Parts

serial no		material no	qty
1	upper door hinge cover	SC13004A10	1
2	upper door hinge	SC70004010	1
3	glass door	SC98004J02	1
4	gasket	SC98004A03	1
5	dryer filter	SC46005029	1
6	bottom door hinge	SC98B04011	1
7	front foot	SC46005A37	1
8	drip tray	SC13005025	1
9	compressor component	D53CY1	1
10	compressor installation plate	SC98005017	1
11	back feet	SC46005037	3
12	power cable	SC13006A06	1
13	upper shelf	SC98009007	3
14	evaporator	SC98005001	1
15	Evaporator fan mounting plate fixing plate 2	SC13005006	2
16	controller knob	C4NH006015	1
17	controller	C500006001	1
18	LED switch	C800006B02	1
19	evapoartor fan case	C390F05003	1
20	Evaporator fan mounting plate fixing plate	SC70005035	2
21	evaporator fan installation plate	SC98005004	1
22	evaporator fan	SC130F-DQ00-02	1
23	LED	SC11706003	1
24	upper door hinge cover	SC13004B10	1
25	cabinet	SC98ZZ0000	1
26	LED cover	SC11705011	1