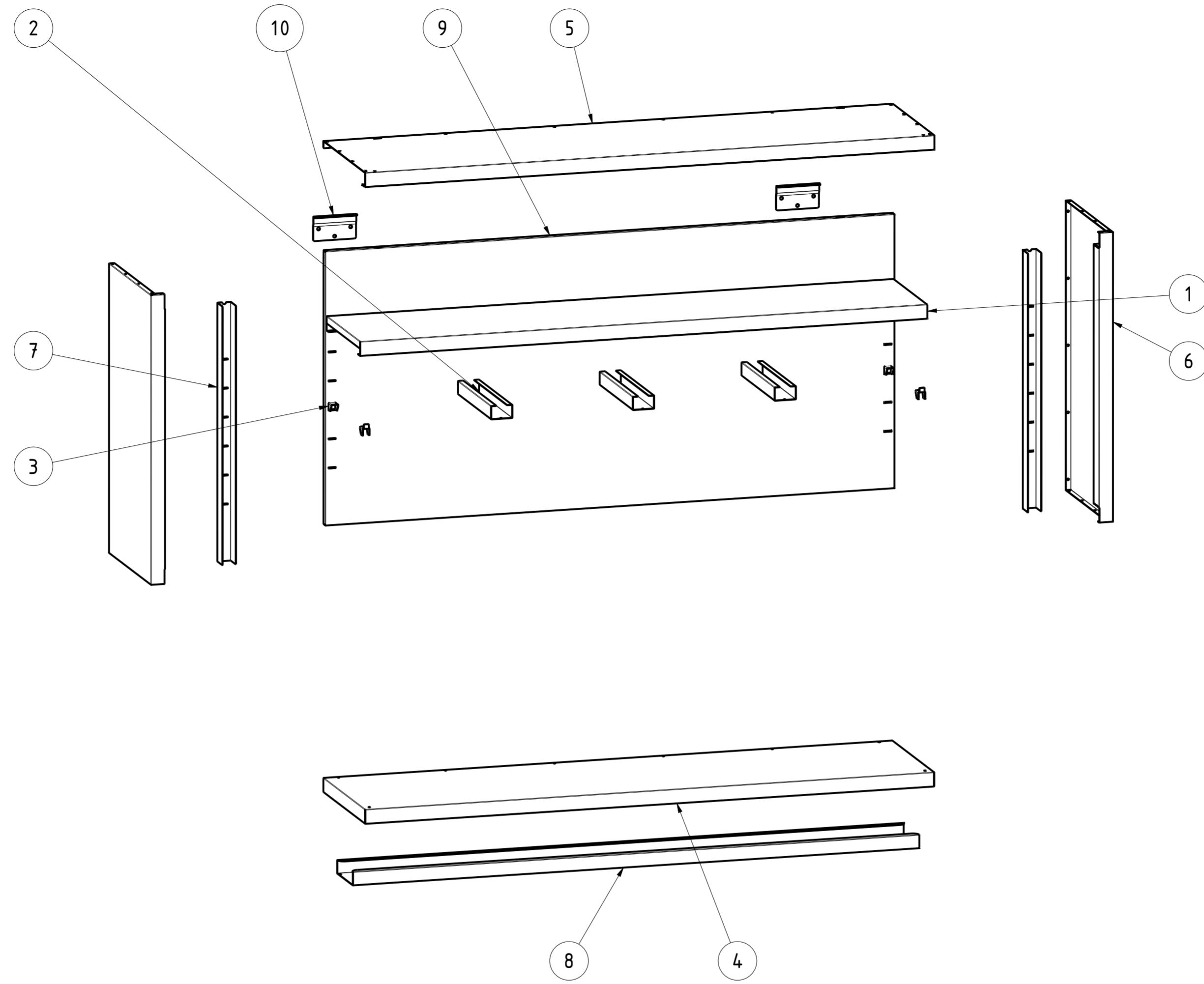


# EXPLOSIONSZEICHNUNG



KBS Gastrotechnik GmbH – Schoßbergstraße 26 – 65201 Wiesbaden



10	SF234	2	STAFFA POSTERIORE FISSAGGIO A MURO	FIXING BRACKET
9	NT9617	1	SCHIENALE PENSILE L160 H80	CABINET BACK L160 H80
8	NT5814	1	OMEGA RINFORZO PIANO BASE L160	REINFORCEMENT L160
7	NT4051	2	MONTANTE ASOLATO H80	SLOTTED UPRIGHT H80
6	NT4050	2	FIANCO SX/DX PENSILI PORTE BATT/GIOR P40 H80	LEFT/RIGHT SIDE HING DOORS/OPEN P40 H80
5	NT2498	1	TOP PENSILE GIORNO L160 P40	OPEN CABINET TOP L160 P40
4	NT2457	1	PIANO BASE PENSILI GIORNO L160 P40	BASE SHELF OPEN L160 P40
3	NT330	4	STAFFA SUPPORTO RIPIANO INTERNO	GANCRIP - INTERNAL SHELF SUPPORT BRACKET
2	NT228	3	OMEGA RIPIANO MOBILE PENSILE P40	OMEGA INTERNAL SHELF P40
1	NT225	1	RIPIANO MOBILE PENSILE L160 P40	ADJUSTABLE SHELF L160 P40
ITEM NO	PART NUMBER	QTY	DESCRIPTION	

DATA DATE	MODIF. N. MODIF. NO.	DESCRIZIONE MODIFICHE MODIFICATION DESCRIPTION	DISEGNATO DRAWN BY	APPROVATO APPROVED
MODELLO MODEL		PENSILE GIORNO 160x40x80 HANGING CABINET OPEN 160x40x80	DISSEGNO N. DRAWING NO. DSPG1648	SCALA SCALE -
PARTICOLARE DETAIL		SCHEDA TECNICA DATA SHEET	DISEGNATO DRAWN BY M.PAPI	DATA DATE -
MATERIALE MATERIAL		SPESS. THICK. -	APPROVATO APPROVED	SHEET 3 OF 3
FINITURA FINISH		PEZZI N. PIECES NO.	SOSTITUISCE IL DIS. N. IT REPLACES DRAWING NO.	ULTIMA EMISS. LAST EDITION
TRATTAMENTO TREATMENT		COLORE COLOUR	SOSTITUITO DAL DIS. N. REPLACED BY DRAWING NO.	
<b>RISTOPRO</b> PROFESSIONAL CATERING EQUIPMENT		RISTOPRO SRL FRAZ. BORGO TUFICO, 47 FABRIANO (AN) ITALY +39.732.043494 WWW.RISTOPRO.COM		 mm

ELABORATO CON SISTEMA CAD  
 DESIGNED BY CAD/STEM  
 QUOTA PRIMARIA  
 PRIMARY DIMENSION  
 XX  
 ANGOLI  
 Angles  
 >500 ±0.75  
 400-500 ±0.65  
 315-400 ±0.60  
 250-315 ±0.55  
 180-250 ±0.50  
 120-180 ±0.45  
 80-120 ±0.40  
 50-80 ±0.35  
 30-50 ±0.30  
 18-30 ±0.25  
 10-18 ±0.20  
 5-10 ±0.15  
 0-5 ±0.10  
 LUNGH. E DIAM.  
 LENGTH AND DIAM.  
 TOLLERANCE UNLESS OTHERWISE STATED  
 QUOTE SENZA TOLLERANZA