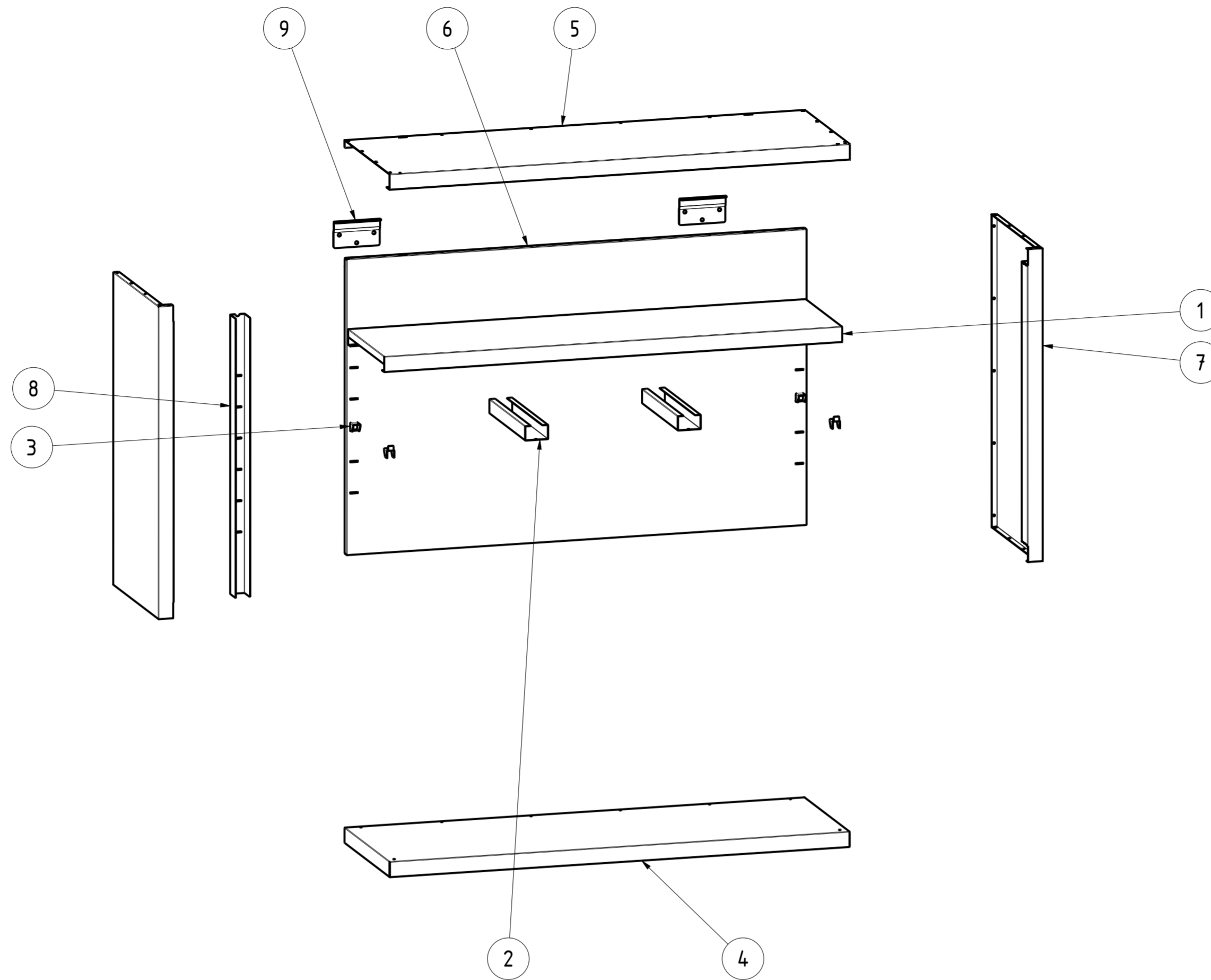


EXPLOSIONSZEICHNUNG



KBS Gastrotechnik GmbH – Schoßbergstraße 26 – 65201 Wiesbaden



9	SF234	2	STAFFA POSTERIORE FISSAGGIO A MURO	FIXING BRACKET
8	NT4051	2	MONTANTE ASOLATO H80	SLOTTED UPRIGHT H80
7	NT4050	2	FIANCO SX/DX PENSILI PORTE BATT/GIOR P40 H80	LEFT/RIGHT SIDE HING DOORS/OPEN P40 H80
6	NT4035	1	SCHIENALE PENSILE L120 H80	CABINET BACK L120 H80
5	NT2495	1	TOP PENSILE GIORNO L120 P40	OPEN CABINET TOP L120 P40
4	NT2454	1	PIANO BASE PENSILI GIORNO L120 P40	BASE SHELF OPEN L120 P40
3	NT330	4	STAFFA SUPPORTO RIPIANO INTERNO	GANCRIP - INTERNAL SHELF SUPPORT BRACKET
2	NT228	2	OMEGA RIPIANO MOBILE PENSILE P40	OMEGA INTERNAL SHELF P40
1	NT222	1	RIPIANO MOBILE PENSILE L120 P40	ADJUSTABLE SHELF L120 P40
ITEM NO	PART NUMBER	QTY	DESCRIPTION	

DATA DATE	MODIF. N. MODIF. NO.	DESCRIZIONE MODIFICHE MODIFICATION DESCRIPTION	DISegnATO DRAWN BY	APPROVATO APPROVED
			M.PAPI	
MODELLO MODEL	PENSILE GIORNO 120x40x80 HANGING CABINET OPEN 120x40x80		DISEGNO N. DRAWING NO. DSPG1248	SCALA SCALE -
PARTICOLARE DETAIL	SCHEDA TECNICA DATA SHEET		DISegnATO DRAWN BY M.PAPI	DATA DATE -
MATERIALE MATERIAL	SPESS. THICK. -	APPROVATO APPROVED	SHEET 3 OF 3	
FINITURA FINISH	PEZZI N. PIECES NO.	SOSTITUISCE IL DIS. N. IT REPLACES DRAWING NO.	ULTIMA EMISS. LAST EDITION	
TRATTAMENTO TREATMENT	COLORE COLOUR	SOSTITUITO DAL DIS. N. REPLACED BY DRAWING NO.		
RISTOPRO PROFESSIONAL CATERING EQUIPMENT		RISTOPRO SRL FRAZ. BORGO TUFICO, 47 FABRIANO (AN) ITALY +39.732.043494 WWW.RISTOPRO.COM		
				mm

ELABORATO CON SISTEMA CAD
DESIGNED BY CAD/STEM

QUOTA PRIMARIA
PRIMARY DIMENSION
XX

ANGOLI
Angles
30°

TOLLERANCE UNLESS OTHERWISE STATED

>500	±0.75
400-500	±0.65
315-400	±0.60
250-315	±0.55
180-250	±0.50
120-180	±0.45
80-120	±0.40
50-80	±0.35
30-50	±0.30
18-30	±0.25
10-18	±0.20
5-10	±0.15
0-5	±0.10

QUOTE SENZA TOLLERANZA

LUNGH. E DIAM.
LENGHT AND DIAM.
mm