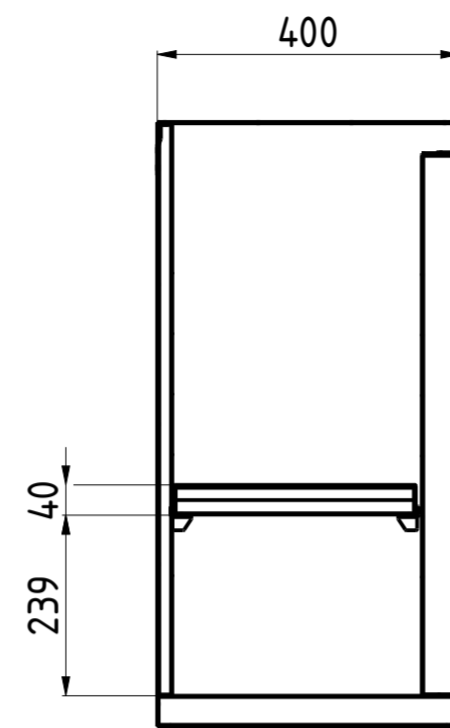
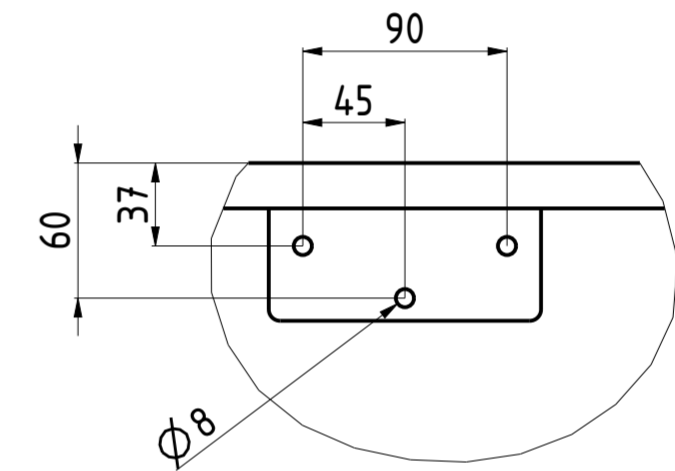
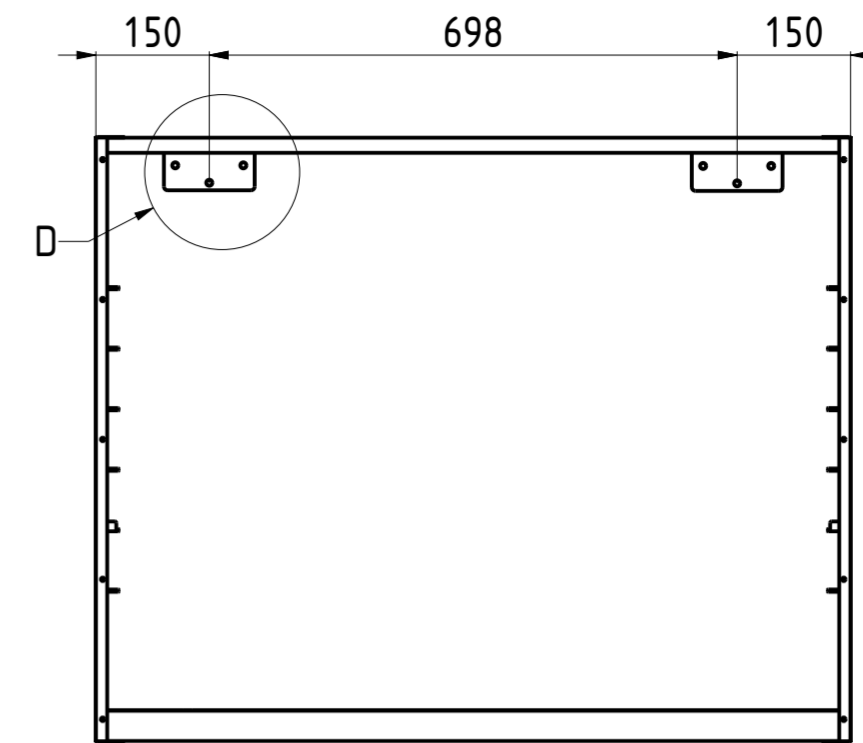


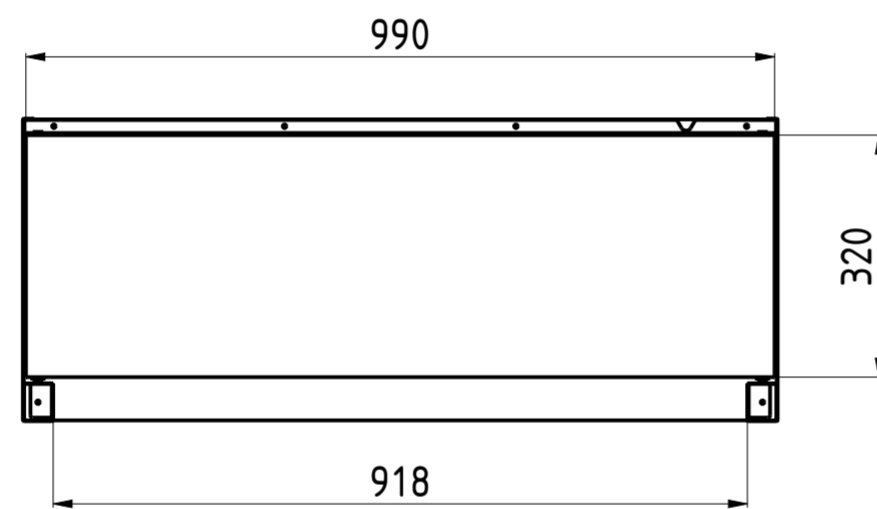
FRONT VIEW B-B 1:10



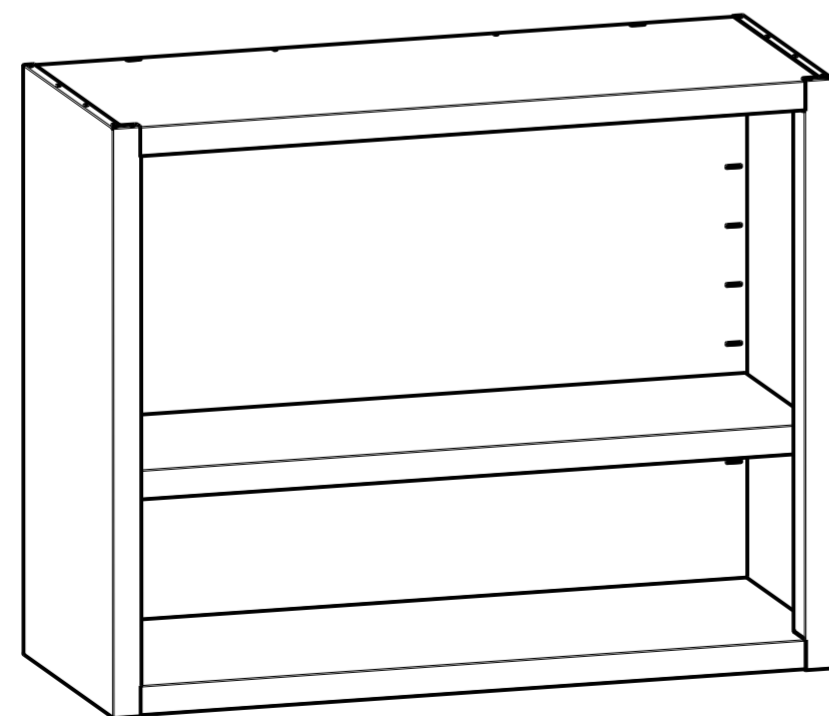
A-A



D(3:10)



INTERNAL DIM C-C



3D VIEW 1:10

| DATA DATE             | MODIF. N. MODIF. NO.                                    | DESCRIZIONE MODIFICHE MODIFICATION DESCRIPTION   | DISegnATO DRAWN BY              | APPROVATO APPROVED |
|-----------------------|---|--|---------------------------------|--------------------|
|                       |   |  |                                 |                    |
| MODELLO MODEL         | PENSILE GIORNO 100x40x80 HANGING CABINET OPEN 100x40x80 |  | DISEGNO N. DRAWING NO. DSPG1048 | SCALA SCALE -      |
| PARTICOLARE DETAIL    | SCHEDA TECNICA DATA SHEET                               |  | DISEGNATO DRAWN BY M.PAPI       | DATA DATE -        |
| MATERIALE MATERIAL    | SPESS. THICK.   | APPROVATO APPROVED   | SHEET 2 OF 3                    |                    |
| FINITURA FINISH       | PEZZI N. PIECES NO.                                     | SOSTITUISCE IL DIS. N. IT REPLACES DRAWING NO.   | ULTIMA EMISS. LAST EDITION      |                    |
| TRATTAMENTO TREATMENT | COLORE COLOUR   | SOSTITUITO DAL DIS. N. REPLACED BY DRAWING NO.   |                                 |                    |
|                       |   | RISTOPRO SRL<br>FRAZ. BORGO TUFICO, 47 FABRIANO (AN)<br>ITALY +39.732.043494<br>WWW.RISTOPRO.COM |                                 | <br>mm             |

ELABORATO CON SISTEMA CAD DESIGNED BY CADSTEM  
 QUOTA PRIMARIA PRIMARY DIMENSION XX  
 ANGOLI Angles 30°  
 TOLLERANZA UNLESS OTHERWISE STATED  
 QUOTE SENZA TOLLERANZA  
 >500 ±0.75  
 400-500 ±0.65  
 315-400 ±0.60  
 250-315 ±0.55  
 180-250 ±0.50  
 120-180 ±0.45  
 80-120 ±0.40  
 50-80 ±0.35  
 30-50 ±0.30  
 18-30 ±0.25  
 10-18 ±0.20  
 5-10 ±0.15  
 0-5 ±0.10  
 LUNGH. E DIAM. LENGTH AND DIAM.