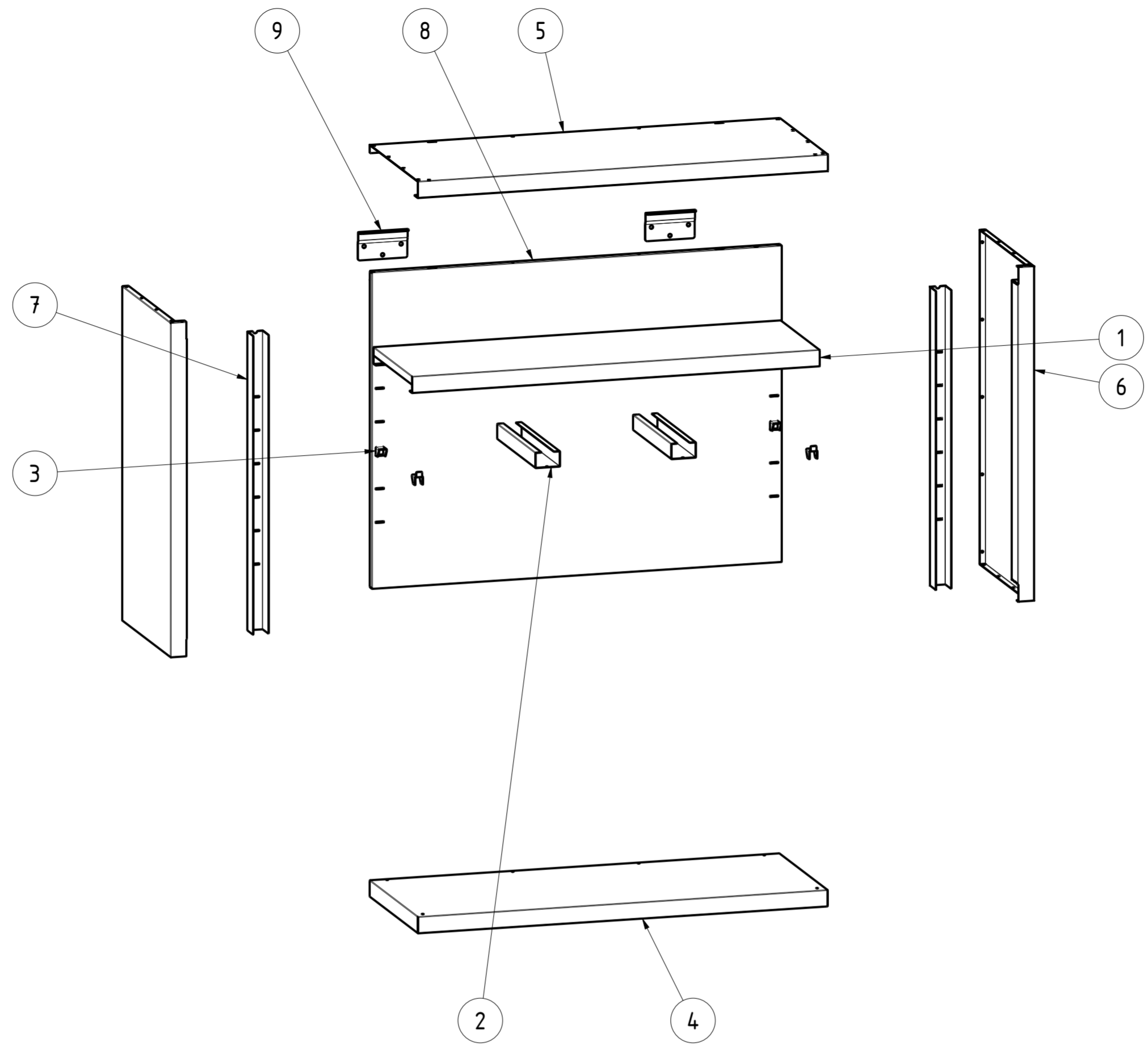


EXPLOSIONSZEICHNUNG



KBS Gastrotechnik GmbH – Schoßbergstraße 26 – 65201 Wiesbaden



9	SF234	2	STAFFA POSTERIORE FISSAGGIO A MURO	FIXING BRACKET
8	NT5887	1	SCHIENALE PENSILE L100 H80	CABINET BACK L100 H80
7	NT4051	2	MONTANTE ASOLATO H80	SLOTTED UPRIGHT H80
6	NT4050	2	FIANCO SX/DX PENSILI PORTE BATT/GIOR P40 H80	LEFT/RIGHT SIDE HING DOORS/OPEN P40 H80
5	NT2494	1	TOP PENSILE GIORNO L100 P40	OPEN CABINET TOP L100 P40
4	NT2453	1	PIANO BASE PENSILI GIORNO L100 P40	BASE SHELF OPEN L100 P40
3	NT330	4	STAFFA SUPPORTO RIPIANO INTERNO	GANCRIPI - INTERNAL SHELF SUPPORT BRACKET
2	NT228	2	OMEGA RIPIANO MOBILE PENSILE P40	OMEGA INTERNAL SHELF P40
1	NT221	1	RIPIANO MOBILE PENSILE L100 P40	ADJUSTABLE SHELF L100 P40
ITEM NO	PART NUMBER	QTY	DESCRIPTION	

DATA DATE	MODIF. N. MODIF. NO.	DESCRIZIONE MODIFICHE MODIFICATION DESCRIPTION	DISEGNATO DRAWN BY	APPROVATO APPROVED
MODELLO MODEL	PENSILE GIORNO 100x40x80 HANGING CABINET OPEN 100x40x80		DISSEGNO N. DRAWING NO. DSPG1048	SCALA SCALE -
PARTICOLARE DETAIL	SCHEDA TECNICA DATA SHEET		DISEGNATO DRAWN BY M.PAPI	DATA DATE -
MATERIALE MATERIAL	SPESS. THICK. -	APPROVATO APPROVED	SHEET 3 OF 3	
FINITURA FINISH	PEZZI N. PIECES NO.	SOSTITUISCE IL DIS. N. IT REPLACES DRAWING NO.	ULTIMA EMISS. LAST EDITION	
TRATTAMENTO TREATMENT	COLORE COLOUR	SOSTITUITO DAL DIS. N. REPLACED BY DRAWING NO.		
RISTOPRO PROFESSIONAL CATERING EQUIPMENT		RISTOPRO SRL FRAZ. BORGO TUFICO, 47 FABRIANO (AN) ITALY +39.732.043494 WWW.RISTOPRO.COM		
				mm

ELABORATO CON SISTEMA CAD
 DESIGNED BY CAD/STEM
 QUOTA PRIMARIA
 PRIMARY DIMENSION
 XX
 ANGOLI
 Angles
 >30°
 >500
 $\pm 0,75$
 400-500
 $\pm 0,65$
 315-400
 $\pm 0,60$
 250-315
 $\pm 0,55$
 180-250
 $\pm 0,50$
 120-180
 $\pm 0,45$
 80-120
 $\pm 0,40$
 50-80
 $\pm 0,35$
 30-50
 $\pm 0,30$
 18-30
 $\pm 0,25$
 10-18
 $\pm 0,20$
 5-10
 $\pm 0,15$
 0-5
 $\pm 0,10$
 LUNGH. E DIAM.
 LENGTH AND DIAM.
 TOLLERANCE UNLESS OTHERWISE STATED
 QUOTE SENZA TOLLERANZA
 DIMENSIONS WITHOUT TOLERANCE
 FORM.A-2