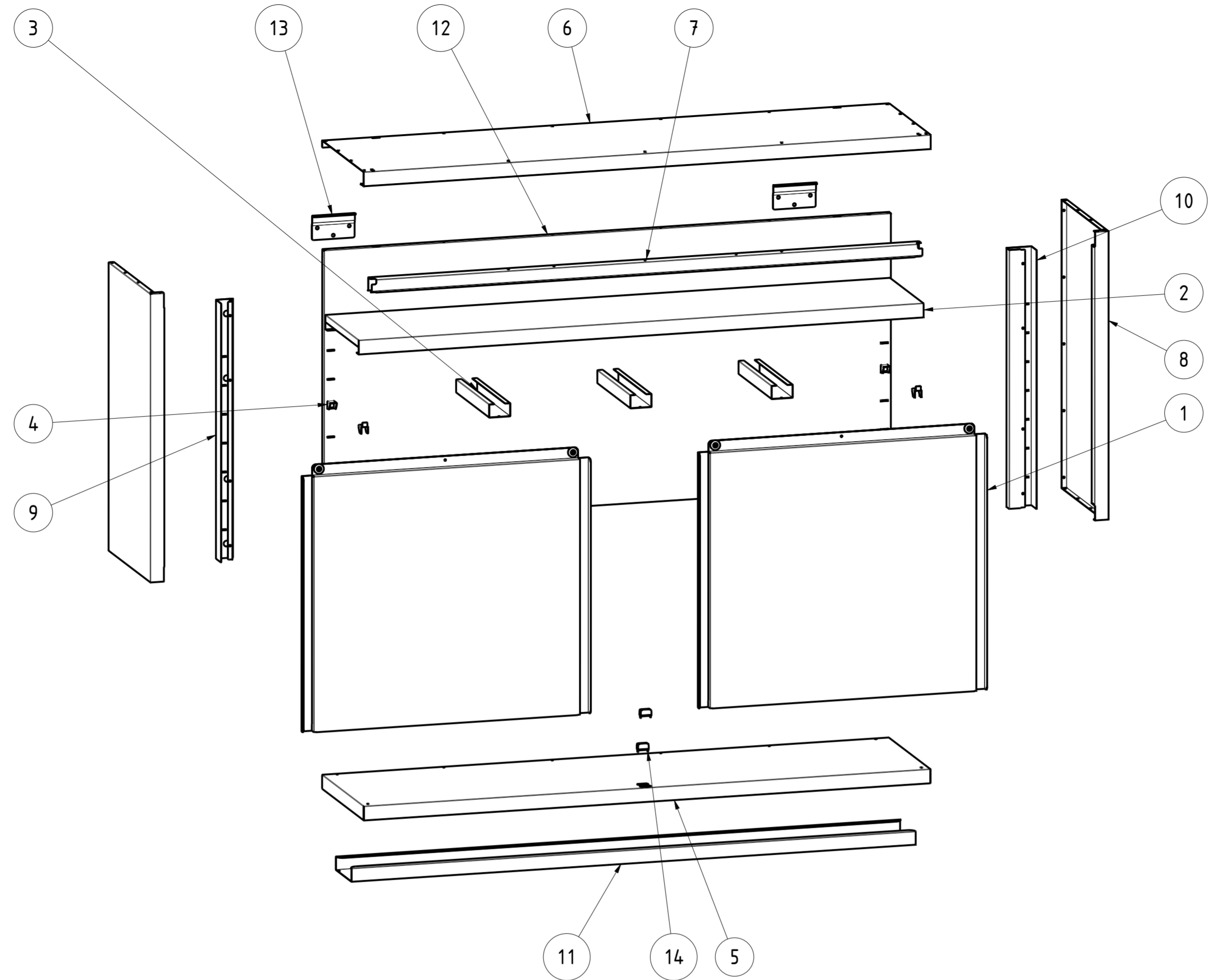


EXPLOSIONSZEICHNUNG



KBS Gastrotechnik GmbH – Schoßbergstraße 26 – 65201 Wiesbaden



| | | | | |
|---------|----------------|-----|--|---|
| 14 | TACCHDSTA | 2 | TACCHETTO GUIDA PORTE | SLIDING DOOR GUIDE |
| 13 | SF234 | 2 | STAFFA POSTERIORE FISSAGGIO A MURO | FIXING BRACKET |
| 12 | NT9617 | 1 | SCHIENALE PENSILE L160 H80 | CABINET BACK L160 H80 |
| 11 | NT5814 | 1 | OMEGA RINFORZO PIANO BASE L160 | REINFORCEMENT L160 |
| 10 | NT4038 | 1 | MONTANTE ASOLATO BATTUTA PENSILI ANTA SCOR. H80 | DOOR SLOTTED UPRIGHT H80 |
| 9 | NT4037 | 1 | MONTANTE ASOLATO RISC. ANTA SCOR. H80 | FOLDED UPRIGHT H80 |
| 8 | NT4036 | 2 | FIANCO SX/DX PENSILI PORTE SCORREVOLI P40 H80 | LEFT/RIGHT SIDE CABINET SLIDING DOORS P40 H80 |
| 7 | NT2514 | 1 | BINARIO SUPERIORE ANTA SCORREVOLE PENS. RIV L160 | UPPER RAIL SLIDING DOORS L160 |
| 6 | NT2505 | 1 | TOP PENSILE ANTA SCOR L160 P40 | SLIDING DOOR CABINET TOP L160 P40 |
| 5 | NT2464 | 1 | PIANO BASE PENSILI RIV. PORTE SCOR. L160 P40 | BASE SHELF SLIDING DOORS L160 P40 |
| 4 | NT330 | 4 | STAFFA SUPPORTO RIPIANO INTERNO | GANCRIP - INTERNAL SHELF SUPPORT BRACKET |
| 3 | NT228 | 3 | OMEGA RIPIANO MOBILE PENSILE P40 | OMEGA INTERNAL SHELF P40 |
| 2 | NT225 | 1 | RIPIANO MOBILE PENSILE L160 P40 | ADJUSTABLE SHELF L160 P40 |
| 1 | ASS_PS_160_80N | 2 | ASSIEME PORTA SCORREVOLE L160 H80 | HANGING SLIDING DOORS ASSEMBLY L160 H80 |
| ITEM NO | PART NUMBER | QTY | DESCRIPTION | |

| DATA DATE | MODIF. N. MODIF. NO. | DESCRIZIONE MODIFICHE MODIFICATION DESCRIPTION | DISEGNATO DRAWN BY | APPROVATO APPROVED |
|-----------------------|--|--|----------------------------------|--------------------|
| | | | | |
| MODELLO MODEL | PENSILE ARMADIATO PORTE SCORREVOLI 160x40x80 HANGING CABINET SLIDING DOORS 160x40x80 | | DISSEGNO N. DRAWING NO. DSPA1648 | SCALA SCALE - |
| PARTICOLARE DETAIL | SCHEDA TECNICA DATA SHEET | | DISEGNATO DRAWN BY M.PAPI | DATA DATE - |
| MATERIALE MATERIAL | SPES. THICK. - | APPROVATO APPROVED | SHEET 3 OF 3 | |
| FINITURA FINISH | PEZZI N. PIECES NO. | SOSTITUISCE IL DIS. N. IT REPLACES DRAWING NO. | ULTIMA EMISS. LAST EDITION | |
| TRATTAMENTO TREATMENT | COLORE COLOUR | SOSTITUITO DAL DIS. N. REPLACED BY DRAWING NO. | | |
| | | RISTOPRO SRL FRAZ. BORGO TUFICO, 47 FABRIANO (AN) ITALY +39.732.043494 WWW.RISTOPRO.COM | | mm |

QUOTE SENZA TOLLERANZA TOLERANCE UNLESS OTHERWISE STATED
 QUOTA PRIMARIA ELABORATO CON SISTEMA CAD DESIGNED BY CAD/STEM
 XX PRIMARY DIMENSION
 ANGOLI Angles 30° ±0.30°
 >500 ±0.75
 400-500 ±0.65
 315-400 ±0.60
 250-315 ±0.55
 120-180 ±0.45
 80-120 ±0.40
 50-80 ±0.35
 30-50 ±0.30
 10-18 ±0.20
 5-10 ±0.15
 0-5 ±0.10
 LUNGHEZZE E DIAM. LENGTH AND DIAM.