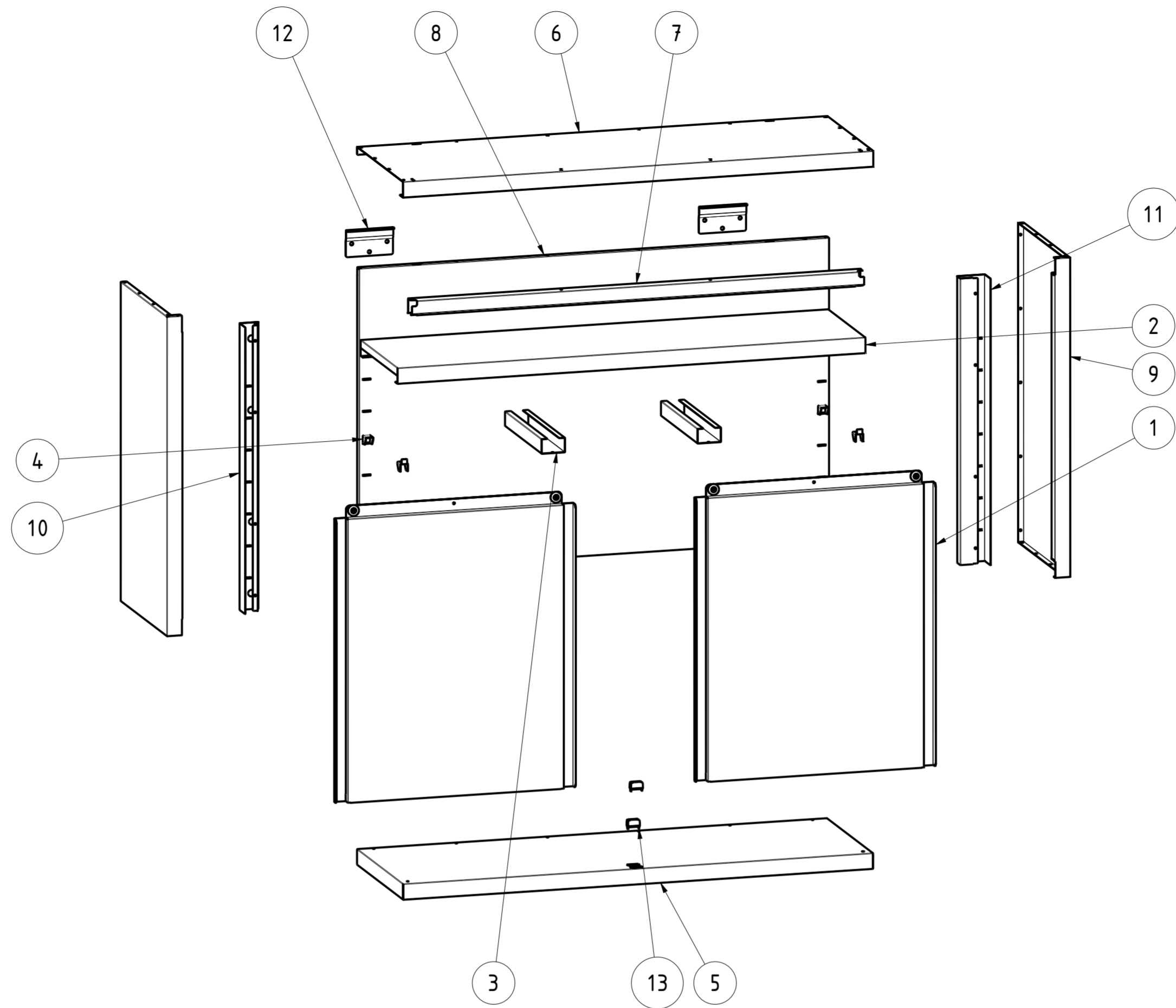


EXPLOSIONSZEICHNUNG



KBS Gastrotechnik GmbH – Schoßbergstraße 26 – 65201 Wiesbaden



13	TACCHDSTA	2	TACCHETTO GUIDA PORTE	SLIDING DOOR GUIDE
12	SF234	2	STAFFA POSTERIORE FISSAGGIO A MURO	FIXING BRACKET
11	NT4038	1	MONTANTE ASOLATO BATTUTA PENSILI ANTA SCOR. H80	DOOR SLOTTED UPRIGHT H80
10	NT4037	1	MONTANTE ASOLATO RISC. ANTA SCOR. H80	FOLDED UPRIGHT H80
9	NT4036	2	FIANCO SX/DX PENSILI PORTE SCORREVOLI P40 H80	LEFT/RIGHT SIDE CABINET SLIDING DOORS P40 H80
8	NT4035	1	SCHIENALE PENSILE L120 H80	CABINET BACK L120 H80
7	NT2511	1	BINARIO SUPERIORE ANTA SCORREVOLE PENS. RIV L120	UPPER RAIL SLIDING DOORS L120
6	NT2502	1	TOP PENSILE ANTA SCOR L120 P40	SLIDING DOOR CABINET TOP L120 P40
5	NT2461	1	PIANO BASE PENSILI RIV. PORTE SCOR. L120 P40	BASE SHELF SLIDING DOORS L120 P40
4	NT330	4	STAFFA SUPPORTO RIPIANO INTERNO	GANCRIIP - INTERNAL SHELF SUPPORT BRACKET
3	NT228	2	OMEGA RIPIANO MOBILE PENSILE P40	OMEGA INTERNAL SHELF P40
2	NT222	1	RIPIANO MOBILE PENSILE L120 P40	ADJUSTABLE SHELF L120 P40
1	ASS_PS_120_80	2	ASSIEME PORTA SCORREVOLE L120 H80	HANGING SLIDING DOORS ASSEMBLY L120 H80
ITEM NO	PART NUMBER	QTY	DESCRIPTION	

DATA DATE	MODIF. N. MODIF. NO.	DESCRIZIONE MODIFICHE MODIFICATION DESCRIPTION	DISegnATO DRAWN BY	APPROVATO APPROVED
MODELLO MODEL	PENSILE ARMADIATO PORTE SCORREVOLI 120x40x80 HANGING CABINET SLIDING DOORS 120x40x80		DISEGNO N. DRAWING NO. DSPA1248	SCALA SCALE -
PARTICOLARE DETAIL	SCHEDE TECNICHE DATA SHEET		DISEGNATO DRAWN BY M.PAPI	DATA DATE -
MATERIALE MATERIAL	SPESS. THICK. -	APPROVATO APPROVED	SHEET 3 OF 3	
FINITURA FINISH	PEZZI N. PIECES NO.	SOSTITUISCE IL DIS. N. IT REPLACES DRAWING NO.	ULTIMA EMISS. LAST EDITION	
TRATTAMENTO TREATMENT	COLORE COLOUR	SOSTITUITO DAL DIS. N. REPLACED BY DRAWING NO.		
		RISTOPRO SRL FRAZ. BORGO TUFICO, 47 FABRIANO (AN) ITALY +39.732.043494 WWW.RISTOPRO.COM		 mm

ELABORATO CON SISTEMA CAD
DESIGNED BY CADSTEM

QUOTA PRIMARIA
PRIMARY DIMENSION
XX

ANGOLI
Angles
±0.30°

>500
±0.75
400-500
±0.65
315-400
±0.60
250-315
±0.55

120-180
±0.45
80-120
±0.40
50-80
±0.35
30-50
±0.30
10-18
±0.20
5-10
±0.15

18-30
±0.25
10-18
±0.20
5-10
±0.15

LUNGH. E DIAM.
LENGTH AND DIAM.
±0.10

FORM.A-2