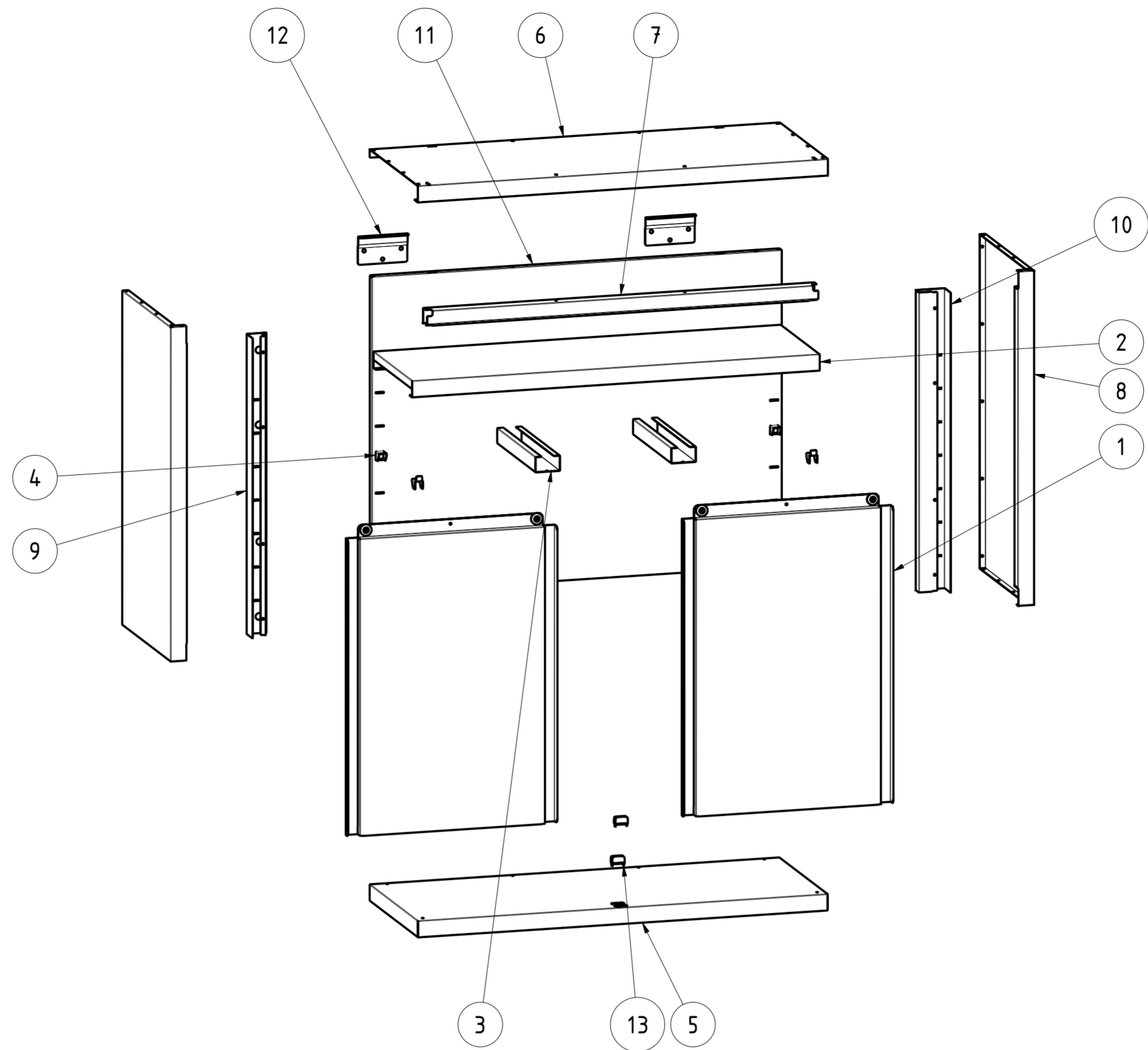


EXPLOSIONSZEICHNUNG



KBS Gastrotechnik GmbH – Schoßbergstraße 26 – 65201 Wiesbaden



13	TACCHDSTA	2	TACCHETTO GUIDA PORTE	SLIDING DOOR GUIDE
12	SF234	2	STAFFA POSTERIORE FISSAGGIO A MURO	FIXING BRACKET
11	NT5887	1	SCHIENALE PENSILE L100 H80	CABINET BACK L100 H80
10	NT4038	1	MONTANTE ASOLATO BATTUTA PENSILI ANTA SCOR. H80	DOOR SLOTTED UPRIGHT H80
9	NT4037	1	MONTANTE ASOLATO RISC. ANTA SCOR. H80	FOLDED UPRIGHT H80
8	NT4036	2	FIANCO SX/DX PENSILI PORTE SCORREVOLI P40 H80	LEFT/RIGHT SIDE CABINET SLIDING DOORS P40 H80
7	NT2510	1	BINARIO SUPERIORE ANTA SCORREVOLE PENS. RIV L100	UPPER RAIL SLIDING DOORS L100
6	NT2501	1	TOP PENSILE ANTA SCOR L100 P40	SLIDING DOOR CABINET TOP L100 P40
5	NT2460	1	PIANO BASE PENSILI RIV. PORTE SCOR. L100 P40	BASE SHELF SLIDING DOORS L100 P40
4	NT330	4	STAFFA SUPPORTO RIPIANO INTERNO	GANCRIIP - INTERNAL SHELF SUPPORT BRACKET
3	NT228	2	OMEGA RIPIANO MOBILE PENSILE P40	OMEGA INTERNAL SHELF P40
2	NT221	1	RIPIANO MOBILE PENSILE L100 P40	ADJUSTABLE SHELF L100 P40
1	ASS_PS_100_80	2	ASSIEME PORTA SCORREVOLE L100 H80	HANGING SLIDING DOORS ASSEMBLY L100 H80
ITEM NO	PART NUMBER	QTY	DESCRIPTION	

DATA DATE	MODIF. N. MODIF. NO.	DESCRIZIONE MODIFICHE MODIFICATION DESCRIPTION	DISegnATO DRAWN BY	APPROVATO APPROVED
MODELLO MODEL	PENSILE ARMADIATO PORTE SCORREVOLI 100x40x80 HANGING CABINET SLIDING DOORS 100x40x80		DISEGNO N. DRAWING NO. DSPA1048	SCALA SCALE -
PARTICOLARE DETAIL	SCHEDA TECNICA DATA SHEET		DISEGNATO DRAWN BY M.PAPI	DATA DATE -
MATERIALE MATERIAL	SPESS. THICK. -	APPROVATO APPROVED	SHEET 3 OF 3	
FINITURA FINISH	PEZZI N. PIECES NO.	SOSTITUISCE IL DIS. N. IT REPLACES DRAWING NO.	ULTIMA EMISS. LAST EDITION	
TRATTAMENTO TREATMENT	COLORE COLOUR	SOSTITUITO DAL DIS. N. REPLACED BY DRAWING NO.		
RISTOPRO PROFESSIONAL CATERING EQUIPMENT		RISTOPRO SRL FRAZ. BORGO TUFICO, 47 FABRIANO (AN) ITALY +39.732.043494 WWW.RISTOPRO.COM		 mm

ELABORATO CON SISTEMA CAD
DESIGNED BY CAD/STEM

QUOTA PRIMARIA
PRIMARY DIMENSION
XX

ANGOLI
Angles
30°

TOLLERANZA UNLESS OTHERWISE STATED

>500	±0.75
400-500	±0.65
315-400	±0.60
250-315	±0.55
180-250	±0.50
120-180	±0.45
80-120	±0.40
50-80	±0.35
30-50	±0.30
10-30	±0.25
5-10	±0.15
0-5	±0.10

QUOTE SENZA TOLLERANZA

LUNGHEZZE E DIAM.
LENGTH AND DIAM.