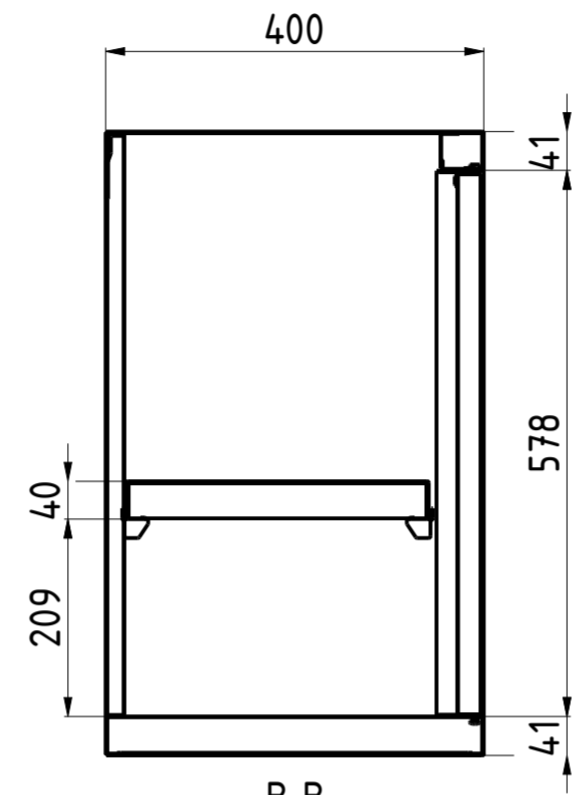
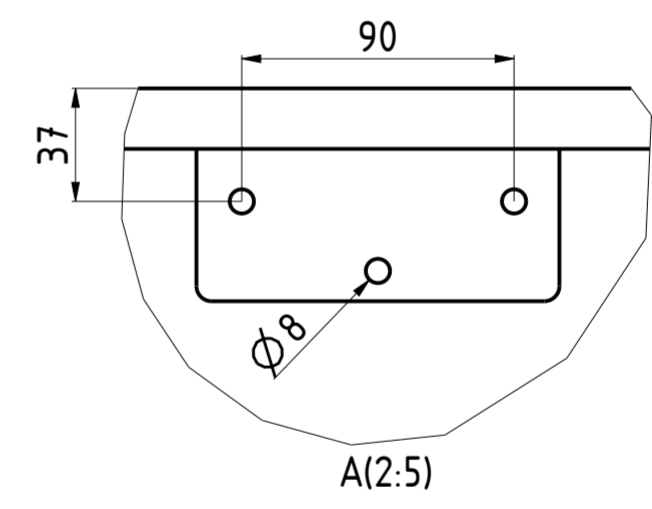
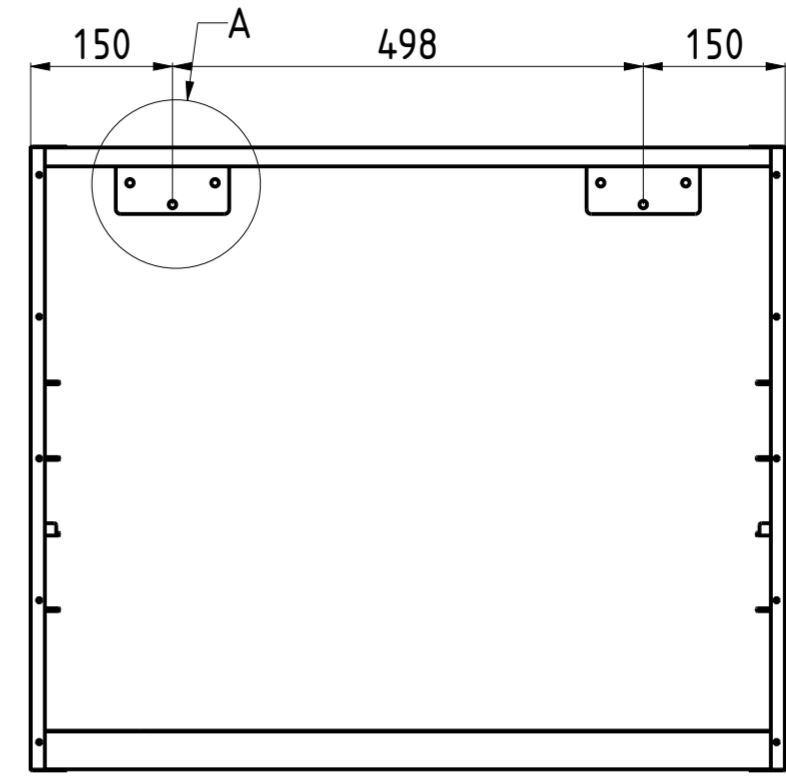


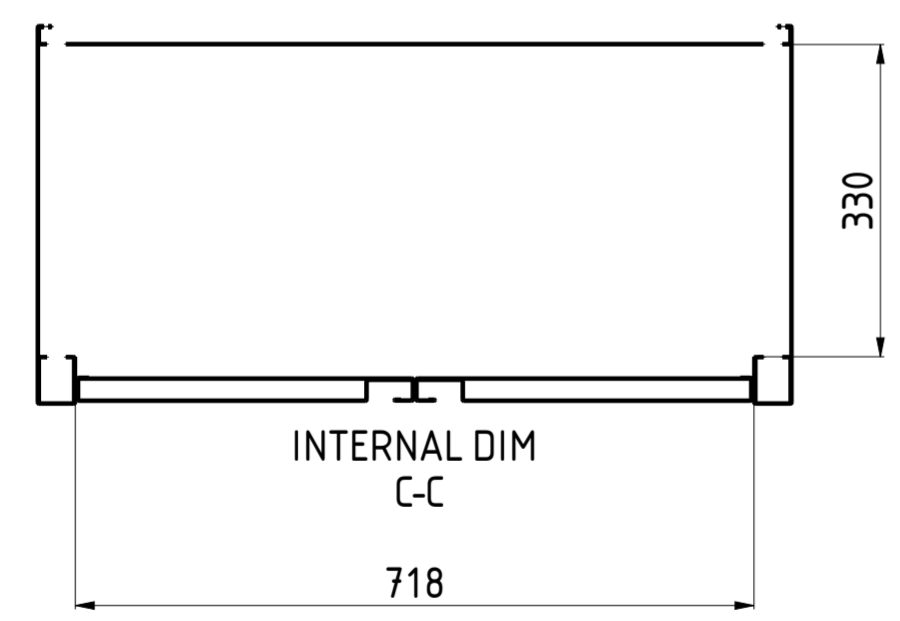
FRONT VIEW A-A 1:8



B-B

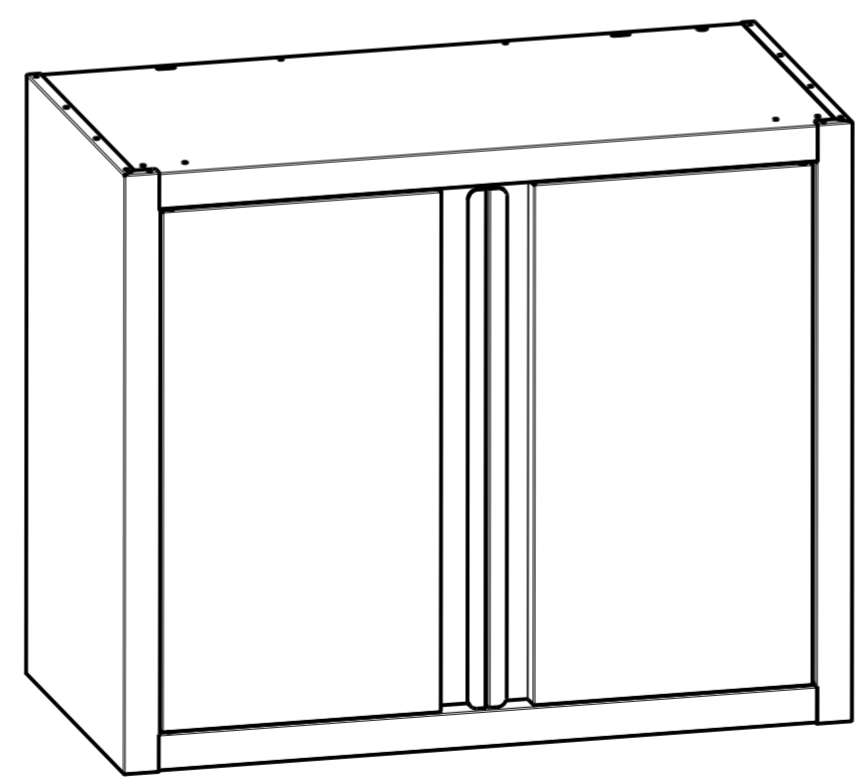


A(2:5)



INTERNAL DIM
C-C

718



3D VIEW 1:8

DATA DATE	MODIF. N. MODIF. NO.	DESCRIZIONE MODIFICHE MODIFICATION DESCRIPTION	DISegnATO DRAWN BY	APPROVATO APPROVED
MODELLO MODEL	PENSILE ARM 2 POR BATT 1 RIP 80x40x65 HINGING CABINET 2 HINGED DOORS 1 SHELF 80x40x65		DISEGNO N. DRAWING NO. DSPA2B0846	SCALA SCALE -
PARTICOLARE DETAIL	SCHEDA TECNICA DATA SHEET		DISEGNATO DRAWN BY M.PAPI	DATA DATE -
MATERIALE MATERIAL	SPESS. THICK.	APPROVATO APPROVED	SHEET 1 OF 2	
FINITURA FINISH	PEZZI N. PIECES NO.	SOSTITUISCE IL DIS. N. IT REPLACES DRAWING NO.	ULTIMA EMISS. LAST EDITION	
TRATTAMENTO TREATMENT	COLORE COLOUR	SOSTITUITO DAL DIS. N. REPLACED BY DRAWING NO.		
		RISTOPRO SRL FRAZ. BORGO TUFICO, 47 FABRIANO (AN) ITALY +39.732.043494 WWW.RISTOPRO.COM		

ELABORATO CON SISTEMA CAD
DESIGNED BY CAD/STEM

QUOTA PRIMARIA
PRIMARY DIMENSION
XX

ANGOLI
Angles
30°

TOLLERANZA UNLESS OTHERWISE STATED

>500	±0.75
400-500	±0.65
315-400	±0.60
250-315	±0.55
180-250	±0.50
120-180	±0.45
80-120	±0.40
50-80	±0.35
30-50	±0.30
18-30	±0.25
10-18	±0.20
5-10	±0.15
0-5	±0.10

QUOTE SENZA TOLLERANZA

LUNGH. E DIAM.
LENGTH AND DIAM.
mm

FORM.A-2