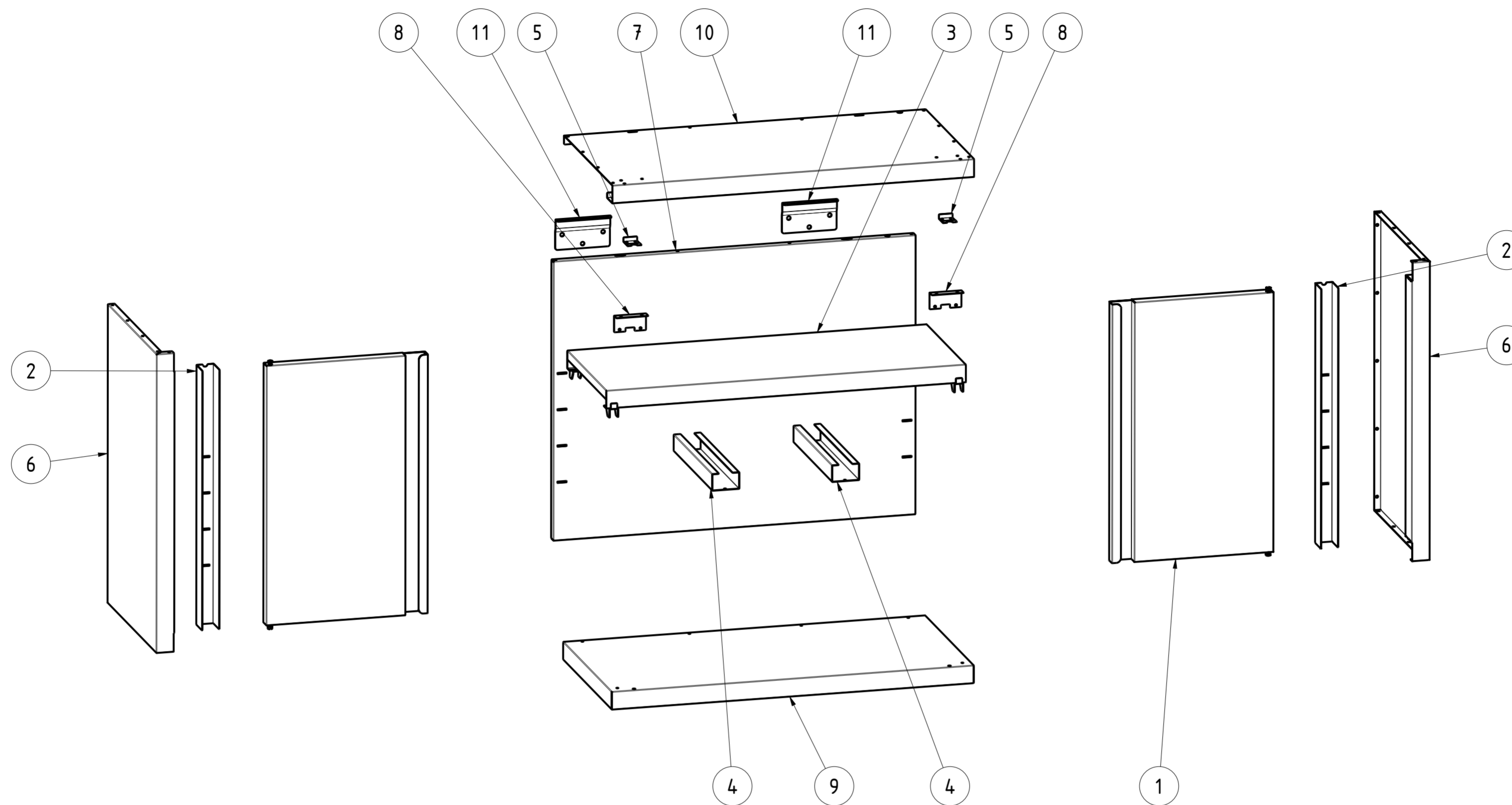


# EXPLOSIONSZEICHNUNG



KBS Gastrotechnik GmbH – Schoßbergstraße 26 – 65201 Wiesbaden



11	SF234	2	STAFFA POSTERIORE FISSAGGIO A MURO	FIXING BRACKET
10	NT3135	1	TOP PENSILI RIV. ANTA 2 BAT. 80x40	HINGED DOOR TOP 80x40
9	NT3134	1	PIANO BASE PENSILI RIV. ANTA BATT. L80 P40	BASE SHELF HINGED DOOR L80 P40
8	NT2712	2	STAFFA RINFORZO TOP PORTA BAT.	DOOR REINFORCEMENT BRACKET
7	NT2484	1	SCHIENALE PENSILE L80 H65	CABINET BACK L80 H65
6	NT2319	2	FIANCO SX/DX PENSILI PORTE BATT/GIOR P40 H65	LEFT/RIGHT SIDE HING DOORS/OPEN P40 H65
5	NT333	2	STAFFA SUPERIORE BLOCCAGGIO PORTA BAT.	UPPER BRACKET FOR HINGED DOOR LOCKING
4	NT228	2	OMEGA RIPIANO MOBILE PENSILE P40	OMEGA INTERNAL SHELF P40
3	NT220	1	RIPIANO MOBILE PENSILE L80 P40	ADJUSTABLE SHELF L80 P40
2	NT101	2	MONTANTE ASOLATO H65	SLOTTED UPRIGHT H65
1	ASS_2PB_L80H65	2	2 PORTE BATTENTI L80 H65	2 HINGED DOORS L80 H65
ITEM NO	PART NUMBER	QTY	DESCRIPTION	

DATA DATE	MODIF. N. MODIF. NO.	DESCRIZIONE MODIFICHE MODIFICATION DESCRIPTION	DISegnATO DRAWN BY	APPROVATO APPROVED
MODELLO MODEL	PENSILE ARM 2 POR BATT 1 RIP 80x40x65 HINGING CABINET 2 HINGED DOORS 1 SHELF 80x40x65		DISegno N. DRAWING NO.	SCALA SCALE
PARTICOLARE DETAIL	SCHEDA TECNICA DATA SHEET		DISegnATO DRAWN BY	DATA DATE
MATERIALE MATERIAL	AISI 304 - AISI 430	SPESs. THICK.	APPROVATO APPROVED	SHEET 2 OF 2
FINITURA FINISH		PEZZI N. PIECES NO.	SOSTITUISCE IL DIS. N. IT REPLACES DRAWING NO.	ULTIMA EMISS. LAST EDITION
TRATTAMENTO TREATMENT	COLORE COLOUR		SOSTITUITO DAL DIS. N. REPLACED BY DRAWING NO.	
<b>RISTOPRO</b>		RISTOPRO SRL FRAZ. BORGO TUFICO, 47 FABRIANO (AN) ITALY +39.732.043494 WWW.RISTOPRO.COM		mm

ELABORATO CON SISTEMA CAD  
DESIGNED BY CAD/STEM

QUOTA PRIMARIA  
PRIMARY DIMENSION  
XX

ANGOLI  
Angles  
30°

TOLLERANZA UNLESS OTHERWISE STATED	>500	400-500	315-400	250-315	180-250	120-180	80-120	50-80	30-50	18-30	10-18	5-10	0-5
±0.75	±0.65	±0.60	±0.55	±0.50	±0.45	±0.40	±0.35	±0.30	±0.25	±0.20	±0.15	±0.10	±0.05

QUOTE SENZA TOLLERANZA

LUNGH. E DIAM.  
LENGTH AND DIAM.  
FORM.A-2