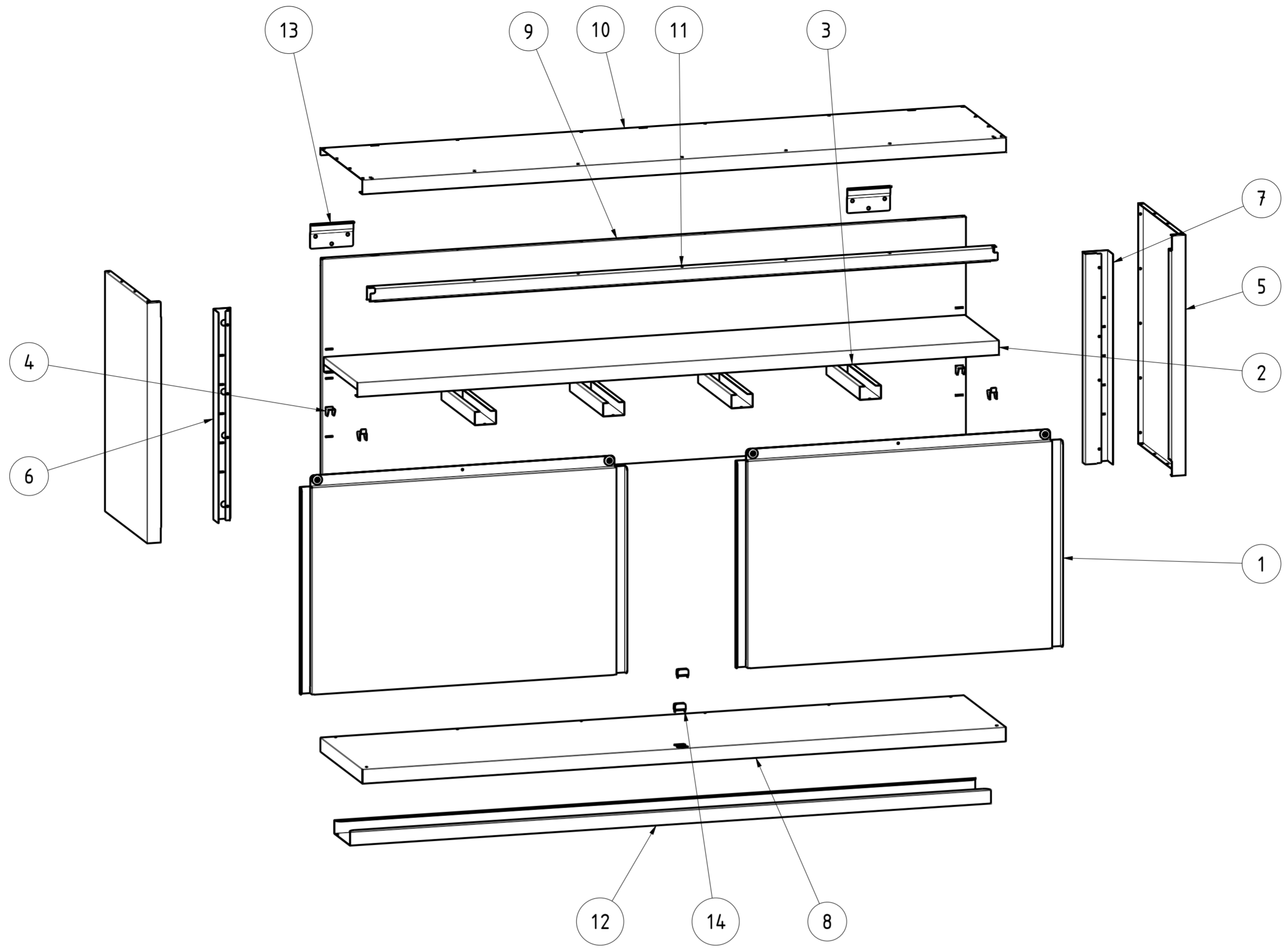


# EXPLOSIONSZEICHNUNG



KBS Gastrotechnik GmbH – Schoßbergstraße 26 – 65201 Wiesbaden

[www.kbs-gastrotechnik.de](http://www.kbs-gastrotechnik.de)  
Stand November 2022



14	TACCHDSTA	2	TACCHETTO GUIDA PORTE	SLIDING DOOR GUIDE
13	SF234	2	STAFFA POSTERIORE FISSAGGIO A MURO	FIXING BRACKET
12	NT5816	1	OMEGA RINFORZO PIANO BASE L180	REINFORCEMENT L180
11	NT2515	1	BINARIO SUPERIORE ANTA SCORREVOLE PENS. RIV L180	UPPER RAIL SLIDING DOORS L180
10	NT2506	1	TOP PENSILE ANTA SCOR L180 P40	SLIDING DOOR CABINET TOP L180 P40
9	NT2490	1	SCHIENALE PENSILE L180 H65	CABINET BACK L180 H65
8	NT2465	1	PIANO BASE PENSILI RIV. PORTE SCOR. L180 P40	BASE SHELF SLIDING DOORS L180 P40
7	NT2307	1	MONTANTE ASOLATO BATTUTA PENSILI ANTA SCOR. H65	DOOR SLOTTED UPRIGHT H65
6	NT2306	1	MONTANTE ASOLATO RISC. PENSILI ANTA SCOR. H65	FOLDED UPRIGHT H65
5	NT2305	2	FIANCO SX/DX PENSILI PORTE SCORREVOLI P40 H65	LEFT/RIGHT SIDE CABINET SLIDING DOORS P40 H65
4	NT330	4	STAFFA SUPPORTO RIPIANO INTERNO	GANCRIP - INTERNAL SHELF SUPPORT BRACKET
3	NT228	4	OMEGA RIPIANO MOBILE PENSILE P40	OMEGA INTERNAL SHELF P40
2	NT226	1	RIPIANO MOBILE PENSILE L180 P40	ADJUSTABLE SHELF L180 P40
1	ASS_PS_180_65N	2	ASSIEME PORTA SCORREVOLE L180 H65	HANGING SLIDING DOORS ASSEMBLY L180 H65
ITEM NO	PART NUMBER	QTY	DESCRIPTION	

DATA	MODIF. N.	DESCRIZIONE MODIFICHE	DISEGNATO	APPROVATO
DATE	MODIF. NO.	MODIFICATION DESCRIPTION	DRAWN BY	APPROVED
MODELLO		PENSILE ARMADIATO PORTE SCORREVOLI 180x40x65	DISEGNO N.	SCALA
MODEL		HANGING CABINET SLIDING DOORS 180x40x65	DRAWING NO.	DSPA1846
PARTICOLARE		SCHEDA TECNICA	DISEGNATO	DATA
DETAIL		DATA SHEET	DRAWN BY	DATE
MATERIALE		AISI 304 - AISI 430	APPROVATO	SHEET
FINITURA			APPROVED	2 OF 2
TRATTAMENTO			PEZZI N.	ULTIMA EMISS.
TREATMENT			PIECES NO.	LAST EDITION
		COLORE	SOSTITUISCE IL DIS. N.	
		COLOUR	IT REPLACES DRAWING NO.	
			SOSTITUITO DAL DIS. N.	
			REPLACED BY DRAWING NO.	

**RISTOPRO**  
 PROFESSIONAL CATERING EQUIPMENT  
 RISTOPRO SRL  
 FRAZ. BORGO TUFICO, 47 FABRIANO (AN)  
 ITALY +39.732.043494  
 WWW.RISTOPRO.COM

mm  
 FORM.A-2

TOLLERANCE UNLESS OTHERWISE STATED  
 QUOTE SENZA TOLLERANZA  
 ELABORATO CON SISTEMA CAD  
 DESIGNED BY CADSTEM  
 QUOTA PRIMARIA  
 PRIMARY DIMENSION  
 XX  
 ANGOLI  
 Angles  
 >500 ±0,75  
 400-500 ±0,65  
 315-400 ±0,60  
 250-315 ±0,55  
 120-180 ±0,45  
 80-120 ±0,40  
 50-80 ±0,35  
 30-50 ±0,30  
 10-18 ±0,25  
 5-10 ±0,15  
 0-5 ±0,10  
 LUNGH. E DIAM.  
 LENGTH AND DIAM.