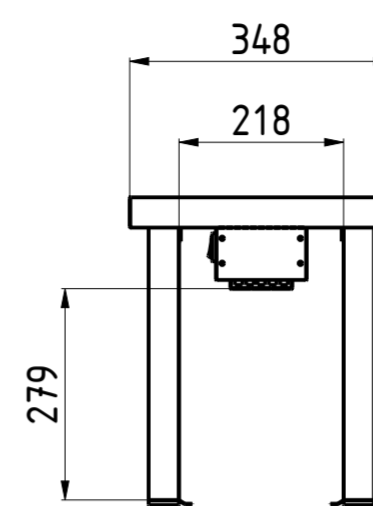
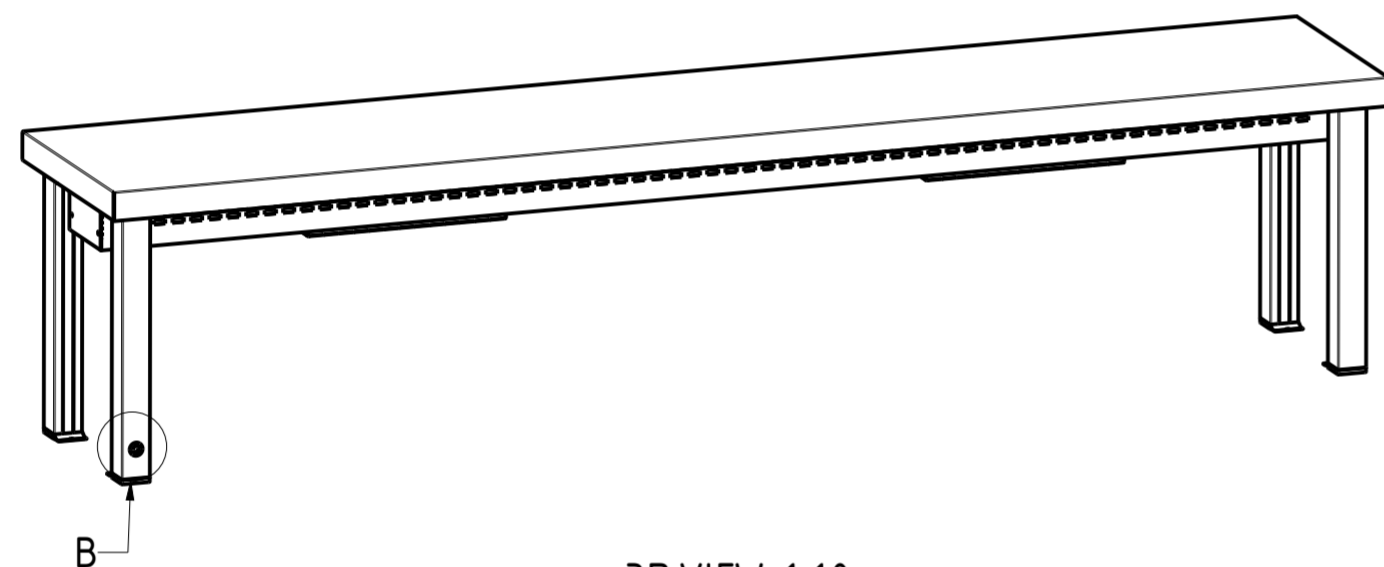


FRONT VIEW 1:10

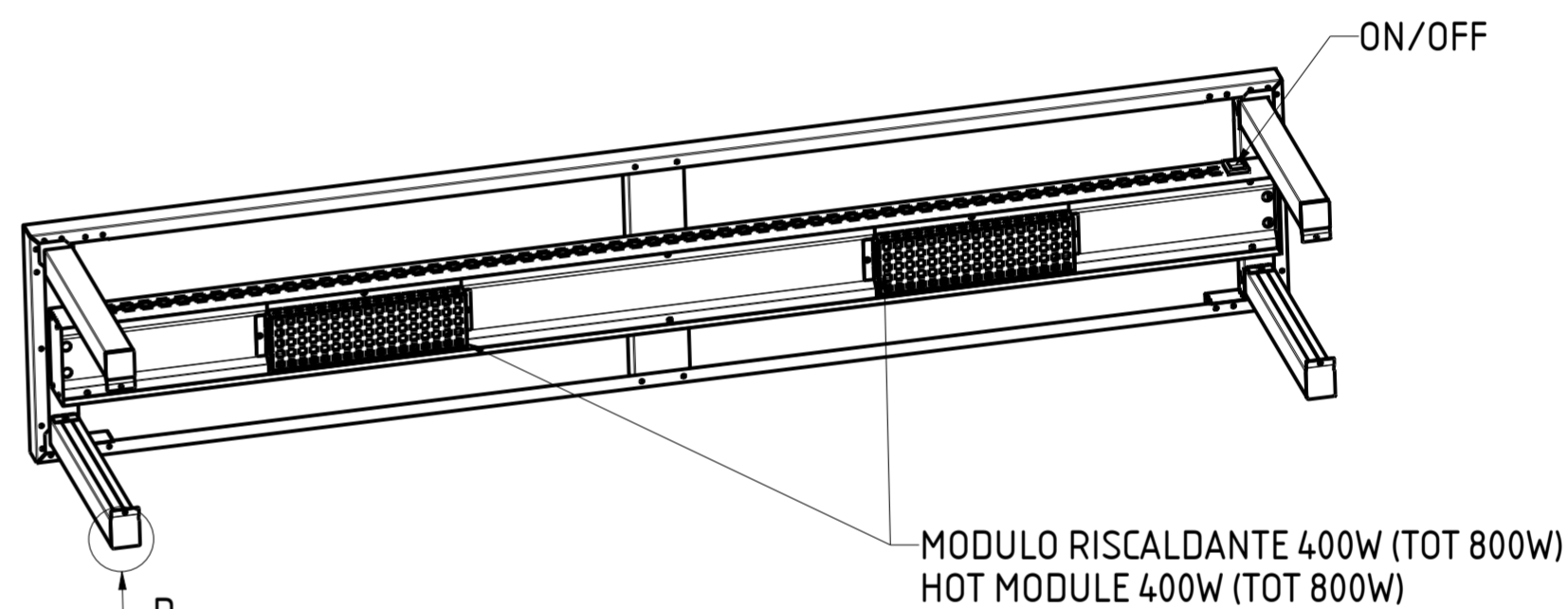


OMEGA RINFORZO
REINFORCEMENT

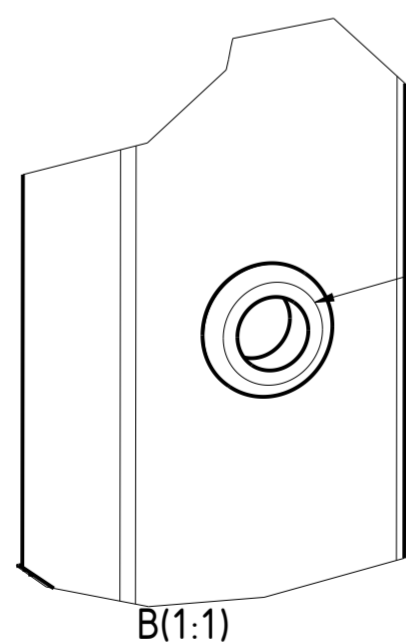
B-B



3D VIEW 1:10

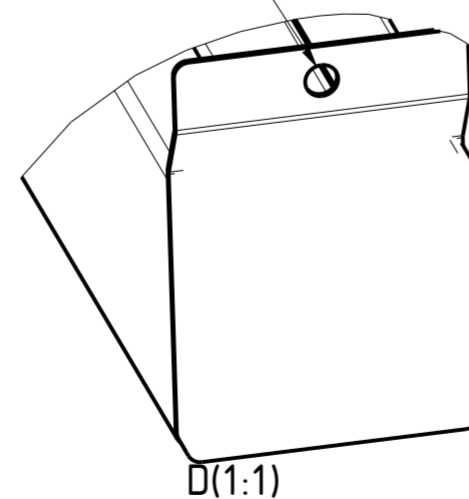


3D BOTTOM VIEW 1:10



USCITA CAVO ALIMENTAZIONE
POWER SUPPLY OUTPUT

FORO FISSAGGIO D4.5
FIXING HOLE D4.5



D(1:1)

DATA DATE	MODIF. N. MODIF. NO.	DESCRIZIONE MODIFICHE MODIFICATION DESCRIPTION	DISegnATO DRAWN BY	APPROVATO APPROVED
MODELLO MODEL	RIPIANO DI APPOGGIO SING. RISC. GAMBE QUAD. 180x35 h40 SINGLE TOP WITH HEATING SQUARE LEGS 180x35 h40		DISegNO N. DRAWING NO. DSRASR18354	SCALA SCALE -
PARTICOLARE DETAIL	SCHEDA TECNICA DATA SHEET		DISegNATO DRAWN BY M.PAPI	DATA DATE
MATERIALE MATERIAL	AISI 304 - AISI 430	SPESs. THICK.	APPROVATO APPROVED	SHEET 2 OF 3
FINITURA FINISH		PEZZI N. PIECES NO.	SOSTITUISCE IL DIS. N. IT REPLACES DRAWING NO.	ULTIMA EMISS. LAST EDITION
TRATTAMENTO TREATMENT		COLORE COLOUR	SOSTITUITO DAL DIS. N. REPLACED BY DRAWING NO.	
RISTOPRO PROFESSIONAL CATERING EQUIPMENT			RISTOPRO SRL FRAZ. BORGO TUFICO, 47 FABRIANO (AN) ITALY +39.732.043494 WWW.RISTOPRO.COM	

ELABORATO CON SISTEMA CAD
DESIGNED BY CAD/STEM

QUOTA PRIMARIA
PRIMARY DIMENSION
XX

ANGOLI
Angles
30°

TOLLERANZA UNLESS OTHERWISE STATED

>500	±0.75
400-500	±0.65
315-400	±0.60
250-315	±0.55
180-250	±0.50
120-180	±0.45
80-120	±0.40
50-80	±0.35
30-50	±0.30
18-30	±0.25
10-18	±0.20
5-10	±0.15
0-5	±0.10

QUOTE SENZA TOLLERANZA

LUNGH. E DIAM.
LENGTH AND DIAM.
mm
FORM.A-2