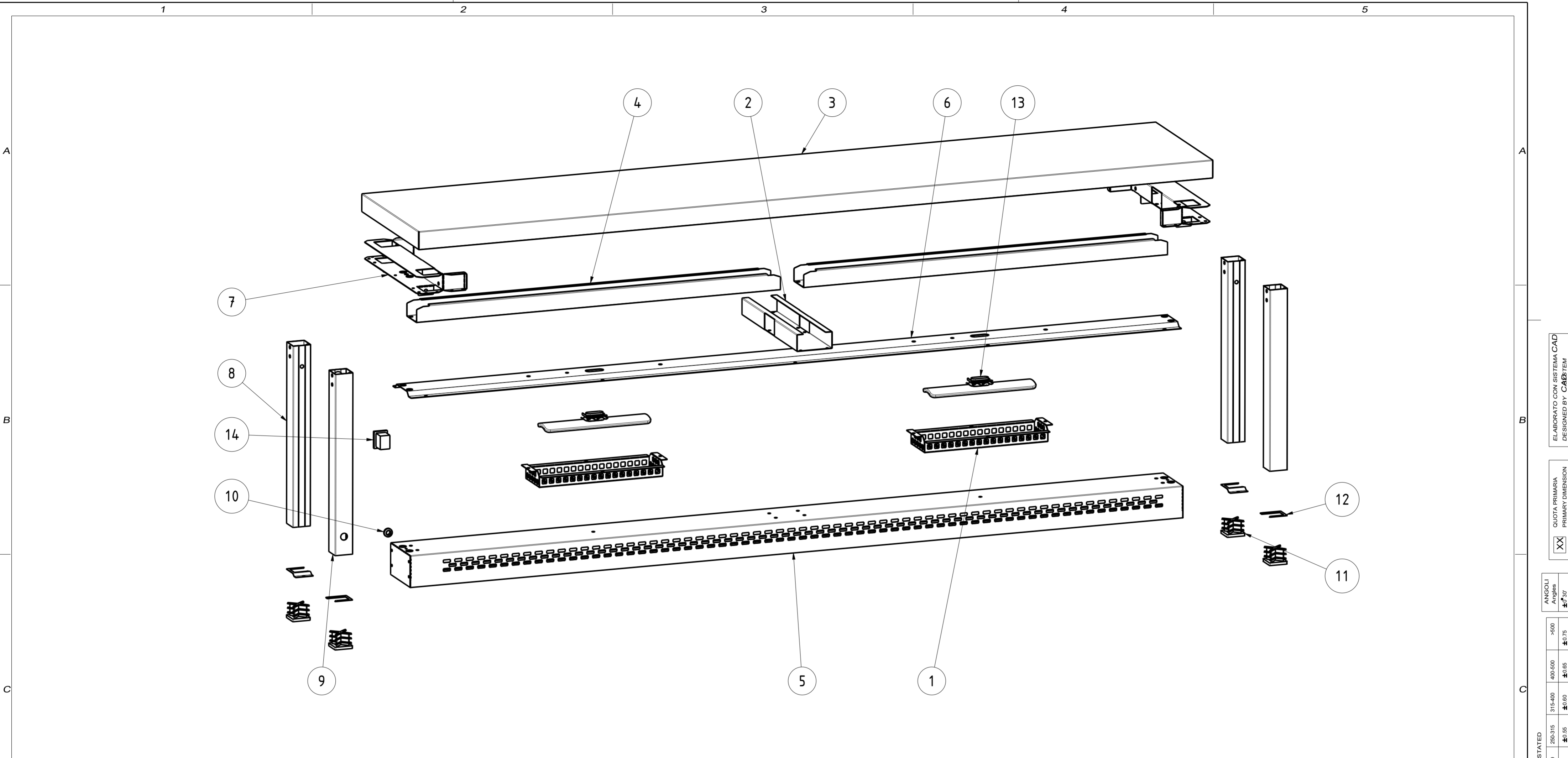


EXPLOSIONSZEICHNUNG



KBS Gastrotechnik GmbH – Schoßbergstraße 26 – 65201 Wiesbaden



14	TASTO_ON_OFF_SCALDAVIVANDE	1	TASTO_ON_OFF	ON/OFF BUTTON
13	RESISTENZA	2	RESISTENZA	RESISTENCE
12	RA11	4	STAFFA FISSAGGIO AL TAVOLO	FIXING BRACKET
11	QA40	4	COPRITESTA 40x40x6	PLASTIC HEAD COVER
10	PASSACAVO_9_5	1	PASSACAVO 9-5	FAIRLEAD 9-5
9	NT14162	1	GAMBA QUADRA H40 PASSACAVO SCALDAVIVANDE	FAIRLEAD SQUARE LEG H40
8	NT14161	3	GAMBA QUADRA H40 PER SCALDAVIVANDE	SQUARE LEG H40
7	NT3321	2	SUPP.GAMBE QUADRE INFER.SCALDAVIVANDE P35	LOWER SQUARE LEGS SUPPORT P35
6	NT1654	1	180 2R	INTERNAL RESISTANCE SUPPORT L120
5	NT1653	1	SUPP. RESISTENZA ESTERNO SCALDAVIVANDE L180	SUPPORT FOR EXTERNAL HEATING WARMER L180
4	NT1652	2	180_INFERIORE	UPPER REINFORCEMENT L120
3	NT1649	1	RIPIANO SUPERIORE SCALDAVIVANDE 180x35	UPPER SHELF 180x35
2	NT1636	1	RINFORZO CENTRALE SCALDAVIVANDE P35	---
1	NT774	2	COPERTURA RESISTENZA	RESISTENCE COVER
ITEM NO	PART NUMBER	QTY	DESCRIPTION	

DATA DATE	MODIF.N. MODIF.NO.	DESCRIZIONE MODIFICHE MODIFICATION DESCRIPTION	DISegnATO DRAWN BY	APPROVATO APPROVED
MODELLO MODEL	RIPIANO DI APPOGGIO SING. RISC. GAMBE QUAD. 180x35 h40 SINGLE TOP WITH HEATING SQUARE LEGS 180x35 h40		DISEGNO N. DRAWING NO. DSRASR18354	SCALA SCALE -
PARTICOLARE DETAIL	SCHEDA TECNICA DATA SHEET		DISEGNATO DRAWN BY M.PAPI	DATA DATE
MATERIALE MATERIAL	AISI 304 - AISI 430	SPES.S THICK.	APPROVATO APPROVED	SHEET 3 OF 3
FINITURA FINISH		PEZZI N. PIECES NO.	SOSTITUISCE IL DIS. N. IT REPLACES DRAWING NO.	ULTIMA EMISS. LAST EDITION
TRATTAMENTO TREATMENT	COLORE COLOUR	SOSTITUITO DAL DIS. N. REPLACED BY DRAWING NO.		
RISTOPRO PROFESSIONAL CATERING EQUIPMENT		RISTOPRO SRL FRAZ. BORGO TUFICO, 47 FABRIANO (AN) ITALY +39.732.043494 WWW.RISTOPRO.COM		 mm

ELABORATO CON SISTEMA CAD
 DESIGNED BY CADSTEM
 QUOTA PRIMARIA
 PRIMARY DIMENSION
 XX
 ANGOLI
 Angles
 >30°
 >500
 $\pm 0,75$
 400-500
 $\pm 0,65$
 315-400
 $\pm 0,60$
 250-315
 $\pm 0,55$
 120-180
 $\pm 0,45$
 80-120
 $\pm 0,40$
 50-80
 $\pm 0,35$
 30-50
 $\pm 0,30$
 10-18
 $\pm 0,20$
 5-10
 $\pm 0,15$
 0-5
 $\pm 0,10$
 LUNGH. E DIAM.
 LENGTH AND DIAM.
 FORM.A-2