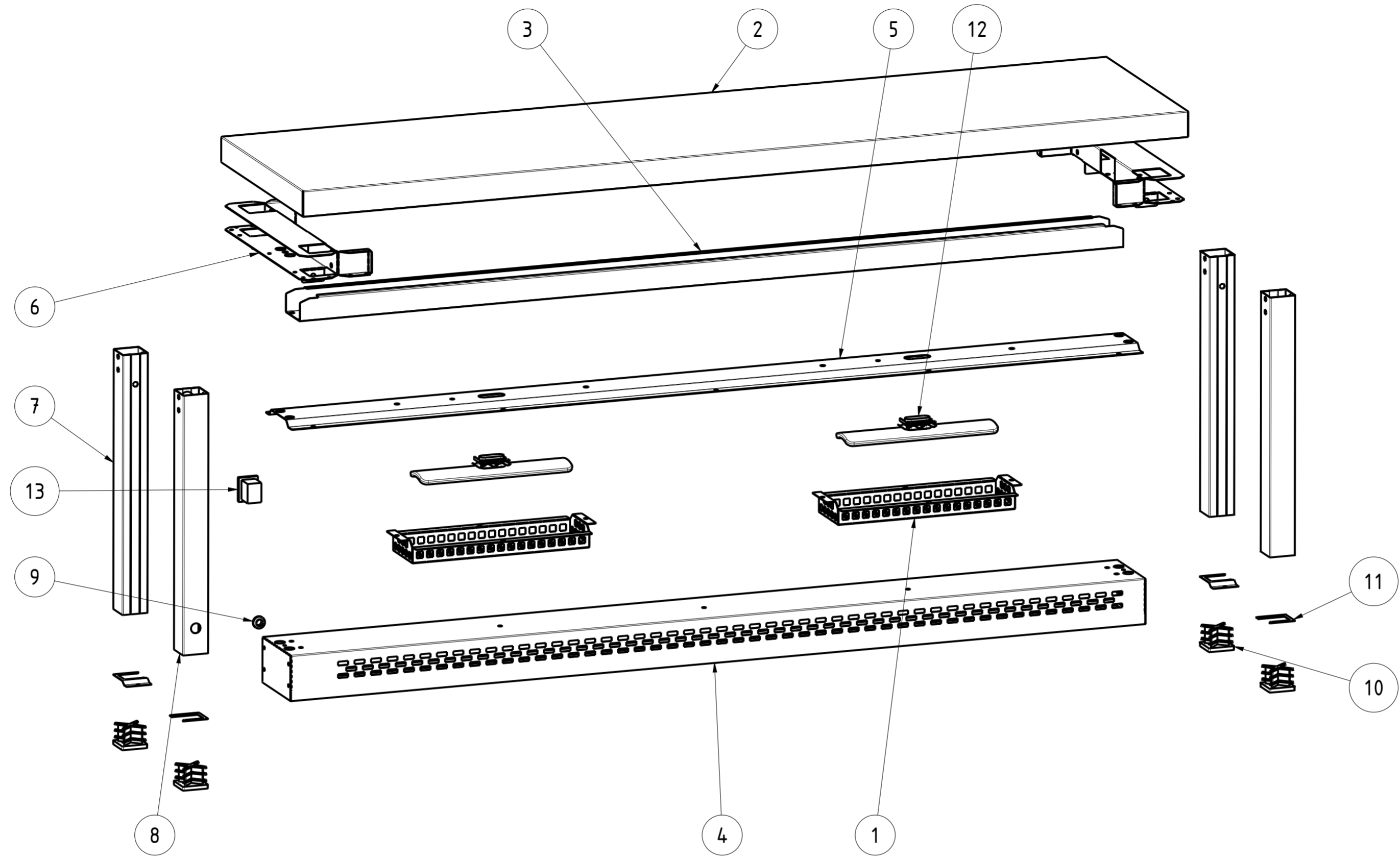


EXPLOSIONSZEICHNUNG



KBS Gastrotechnik GmbH – Schoßbergstraße 26 – 65201 Wiesbaden



13	TASTO_ON_OFF_SCALDAVIVANDE	1	TASTO_ON_OFF	ON/OFF BUTTON
12	RESISTENZA	2	RESISTENZA	RESISTENCE
11	RA11	4	STAFFA FISSAGGIO AL TAVOLO	FIXING BRACKET
10	QA40	4	COPRITESTA 40x40x6	PLASTIC HEAD COVER
9	PASSACAVO_9_5	1	PASSACAVO 9-5	FAIRLEAD 9-5
8	NT14162	1	GAMBA QUADRA H40 PASSACAVO SCALDAVIVANDE	FAIRLEAD SQUARE LEG H40
7	NT14161	3	GAMBA QUADRA H40 PER SCALDAVIVANDE	SQUARE LEG H40
6	NT3321	2	SUPP.GAMBE QUADRE INFER.SCALDAVIVANDE P35	LOWER SQUARE LEGS SUPPORT P35
5	NT1423	1	140 2R	INTERNAL RESISTANCE SUPPORT L120
4	NT1422	1	SUPP. RESISTENZA ESTERNO SCALDAVIVANDE L140	SUPPORT FOR EXTERNAL HEATING WARMER L140
3	NT1421	1	140_INFERIORE	UPPER REINFORCEMENT L120
2	NT1418	1	RIPIANO SUPERIORE SCALDAVIVANDE 140x35	UPPER SHELF 140x35
1	NT774	2	COPERTURA RESISTENZA	RESISTENCE COVER
ITEM NO	PART NUMBER	QTY	DESCRIPTION	

DATA DATE	MODIF.N. MODIF.NO.	DESCRIZIONE MODIFICHE MODIFICATION DESCRIPTION	DISegnATO DRAWN BY	APPROVATO APPROVED
MODELLO MODEL	RIPIANO DI APPOGGIO SING. RISC. GAMBE QUAD. 140x35 h40 SINGLE TOP WITH HEATING SQUARE LEGS 140x35 h40		DISEGNO N. DRAWING NO. DSRASR14354	SCALA SCALE -
PARTICOLARE DETAIL	SCHEDE TECNICA DATA SHEET		DISEGNATO DRAWN BY M.PAPI	DATA DATE
MATERIALE MATERIAL	AISI 304 - AISI 430	SPES.S. THICK.	APPROVATO APPROVED	SHEET 3 OF 3
FINITURA FINISH		PEZZI N. PIECES NO.	SOSTITUISCE IL DIS. N. IT REPLACES DRAWING NO.	ULTIMA EMISS. LAST EDITION
TRATTAMENTO TREATMENT	COLORE COLOUR	SOSTITUITO DAL DIS. N. REPLACED BY DRAWING NO.		
RISTOPRO PROFESSIONAL CATERING EQUIPMENT		RISTOPRO SRL FRAZ. BORGO TUFICO, 47 FABRIANO (AN) ITALY +39.732.043494 WWW.RISTOPRO.COM		 mm

ELABORATO CON SISTEMA CAD
DESIGNED BY CAD2TEM

QUOTA PRIMARIA
PRIMARY DIMENSION
XX

ANGOLI
Angles
30°

>500
±0.75

400-500
±0.65

315-400
±0.60

250-315
±0.55

120-180
±0.45

80-120
±0.40

50-80
±0.35

30-50
±0.30

10-18
±0.20

5-10
±0.15

0-5
±0.10

LUNGH. E DIAM.
LENGTH AND DIAM.

TOLLERANZA UNLESS OTHERWISE STATED

QUOTE SENZA TOLLERANZA