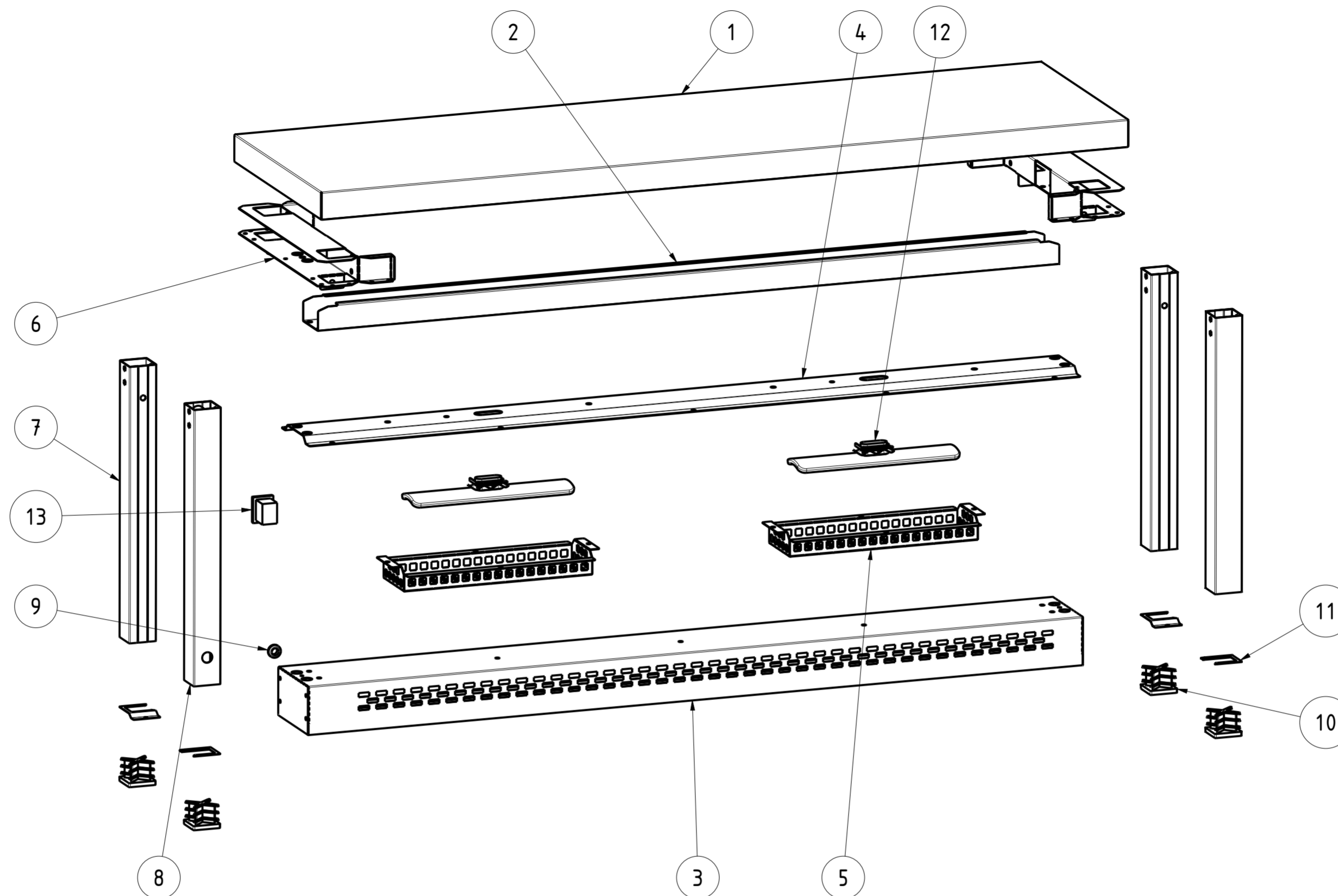


EXPLOSIONSZEICHNUNG



KBS Gastrotechnik GmbH – Schoßbergstraße 26 – 65201 Wiesbaden



ITEM NO	PART NUMBER	QTY	DESCRIPTION	
13	TASTO_ON_OFF_SCALDAVIVANDE	1	TASTO_ON_OFF	ON/OFF BUTTON
12	RESISTENZA	2	RESISTENZA	RESISTENCE
11	RA11	4	STAFFA FISSAGGIO AL TAVOLO	FIXING BRACKET
10	QA40	4	COPRITESTA 40x40x6	PLASTIC HEAD COVER
9	PASSACAVO_9_5	1	PASSACAVO 9-5	FAIRLEAD 9-5
8	NT14162	1	GAMBA QUADRA H40 PASSACAVO SCALDAVIVANDE	FAIRLEAD SQUARE LEG H40
7	NT14161	3	GAMBA QUADRA H40 PER SCALDAVIVANDE	SQUARE LEG H40
6	NT3321	2	SUPP.GAMBE QUADRE INFER.SCALDAVIVANDE P35	LOWER SQUARE LEGS SUPPORT P35
5	NT774	2	COPERTURA RESISTENZA	RESISTENCE COVER
4	NT773	1	SUPP. RESISTENZA INTERNO SCALDAVIVANDE L120	INTERNAL RESISTANCE SUPPORT L120
3	NT772	1	SUPP. RESISTENZA ESTERNO SCALDAVIVANDE L120	SUPPORT FOR EXTERNAL HEATING WARMER L120
2	NT771	1	TRAVERSA DI RINF. INFER. SCALDAVIVANDE L120	LOWER REINFORCEMENT L120
1	NT764	1	RIPIANO SUPERIORE SCALDAVIVANDE 120x35	UPPER SHELF 120x35

DATA DATE	MODIF. N. MODIF. NO.	DESCRIZIONE MODIFICHE MODIFICATION DESCRIPTION	DISegnATO DRAWN BY	APPROVATO APPROVED
MODELLO MODEL		RIPIANO DI APPOGGIO SING. RISC. GAMBE QUAD. 120x35 h40 SINGLE TOP WITH HEATING SQUARE LEGS 120x35 h40	DISegno N. DRAWING NO. DSRASR12354	SCALA SCALE -
PARTICOLARE DETAIL		SCHEDA TECNICA DATA SHEET	DISegnATO DRAWN BY M.PAPI	DATA DATE
MATERIALE MATERIAL		AISI 304 - AISI 430	SPES.S. THICK.	APPROVATO APPROVED
FINITURA FINISH			PEZZI N. PIECES NO.	SOSTITUISCE IL DIS. N. IT REPLACES DRAWING NO.
TRATTAMENTO TREATMENT			COLORE COLOUR	SOSTITUITO DAL DIS. N. REPLACED BY DRAWING NO.
				ULTIMA EMISS. LAST EDITION
				SHEET 3 OF 3

RISTOPRO
 PROFESSIONAL CATERING EQUIPMENT
 RISTOPRO SRL
 FRAZ. BORGO TUFICO, 47 FABRIANO (AN)
 ITALY +39.732.043494
 WWW.RISTOPRO.COM

ELABORATO CON SISTEMA CAD
 DESIGNED BY CAD/STEM
 QUOTA PRIMARIA
 PRIMARY DIMENSION
 XX
 ANGOLI
 Angles
 >30°
 >500
 $\pm 0,75$
 400-500
 $\pm 0,65$
 315-400
 $\pm 0,60$
 250-315
 $\pm 0,55$
 180-250
 $\pm 0,50$
 120-180
 $\pm 0,45$
 80-120
 $\pm 0,40$
 50-80
 $\pm 0,35$
 30-50
 $\pm 0,30$
 10-30
 $\pm 0,25$
 5-10
 $\pm 0,15$
 0-5
 $\pm 0,10$
 LUNGH. E DIAM.
 LENGTH AND DIAM.
 mm
 FORM.A-2