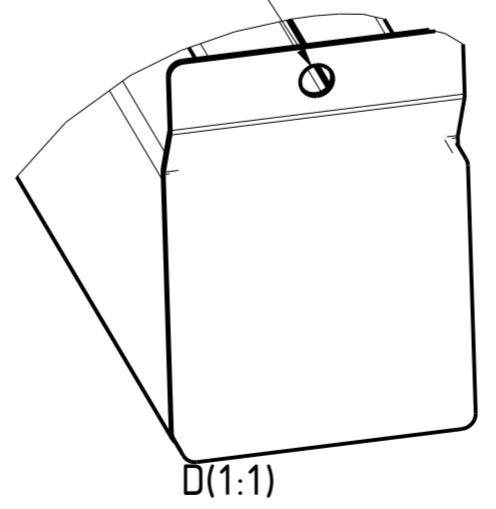


USCITA CAVO ALIMENTAZIONE
POWER SUPPLY OUTPUT

FORO FISSAGGIO D4.5
FIXING HOLE D4.5



DATA DATE	MODIF. N. MODIF. NO.	DESCRIZIONE MODIFICHE MODIFICATION DESCRIPTION	DISegnATO DRAWN BY	APPROVATO APPROVED
MODELLO MODEL	RIPIANO DI APPOGGIO SING. RISC. GAMBE QUAD. 100x35 h40 SINGLE TOP WITH HEATING SQUARE LEGS 100x35 h40		DISegNO N. DRAWING NO.	SCALA SCALE
PARTICOLARE DETAIL	SCHEDA TECNICA DATA SHEET		M.PAPI	DATA DATE
MATERIALE MATERIAL	AISI 304 - AISI 430	SPESSE THICK.	APPROVATO APPROVED	SHEET 2 OF 3
FINITURA FINISH		PEZZI N. PIECES NO.	SOSTITUISCE IL DIS. N. IT REPLACES DRAWING NO.	
TRATTAMENTO TREATMENT		COLORE COLOUR	SOSTITUITO DAL DIS. N. REPLACED BY DRAWING NO.	
RISTOPRO PROFESSIONAL CATERING EQUIPMENT			RISTOPRO SRL FRAZ. BORGO TUFICO, 47 FABRIANO (AN) ITALY +39.732.043494 WWW.RISTOPRO.COM	

ELABORATO CON SISTEMA CAD
DESIGNED BY CADSTEM

QUOTA PRIMARIA
PRIMARY DIMENSION

XX

ANGOLI
Angles

±0°30'

>500 ±0.75

400-500 ±0.65

315-400 ±0.60

250-315 ±0.55

180-250 ±0.50

120-180 ±0.45

80-120 ±0.40

50-80 ±0.35

30-50 ±0.30

18-30 ±0.25

10-18 ±0.20

5-10 ±0.15

0-5 ±0.10

QUOTE SENZA TOLLERANZA
TOLERANCE UNLESS OTHERWISE STATED

LUNGH. E DIAM.
LENGTH AND DIAM.

±0.10

mm

FORM.A-2