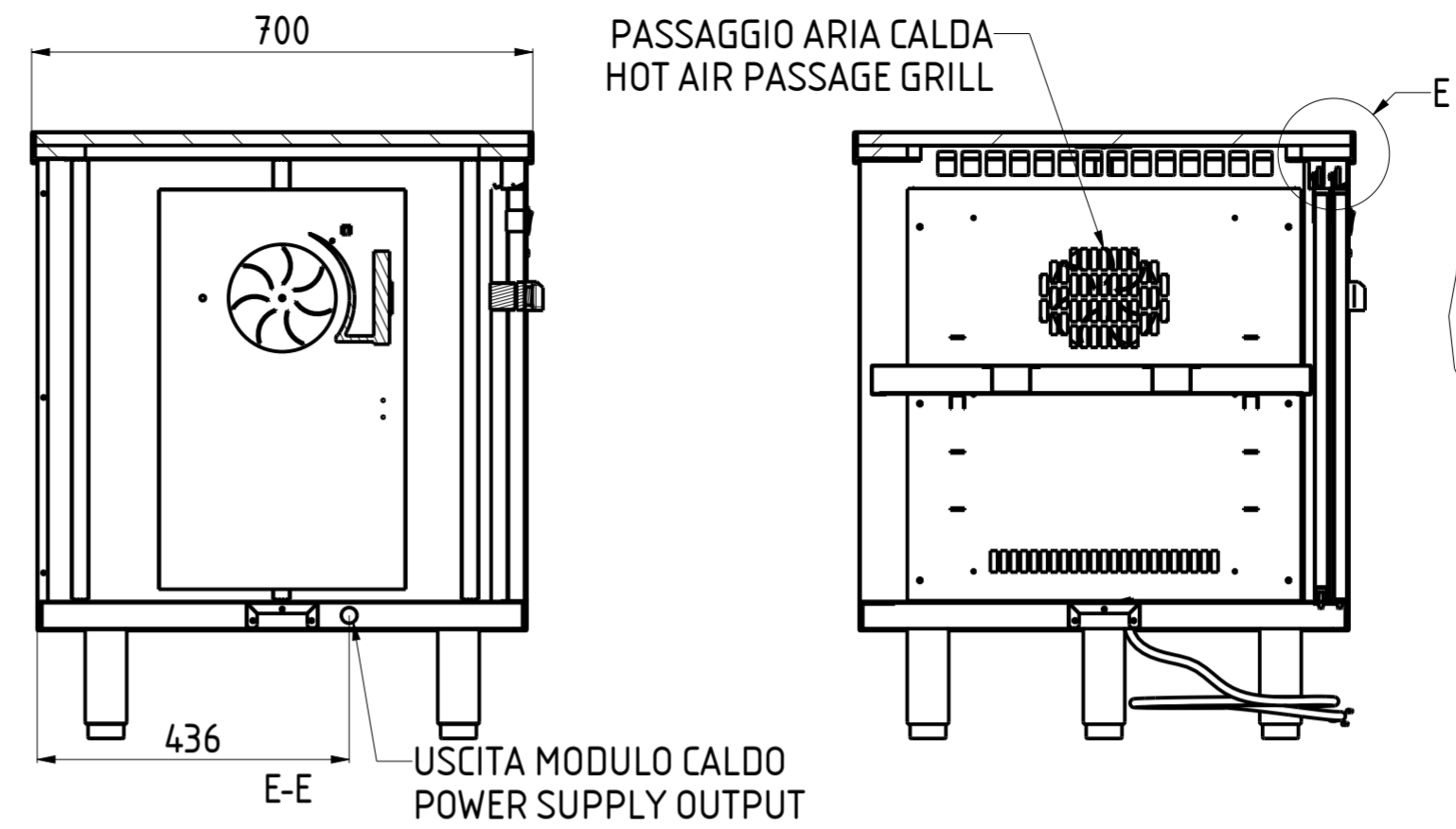


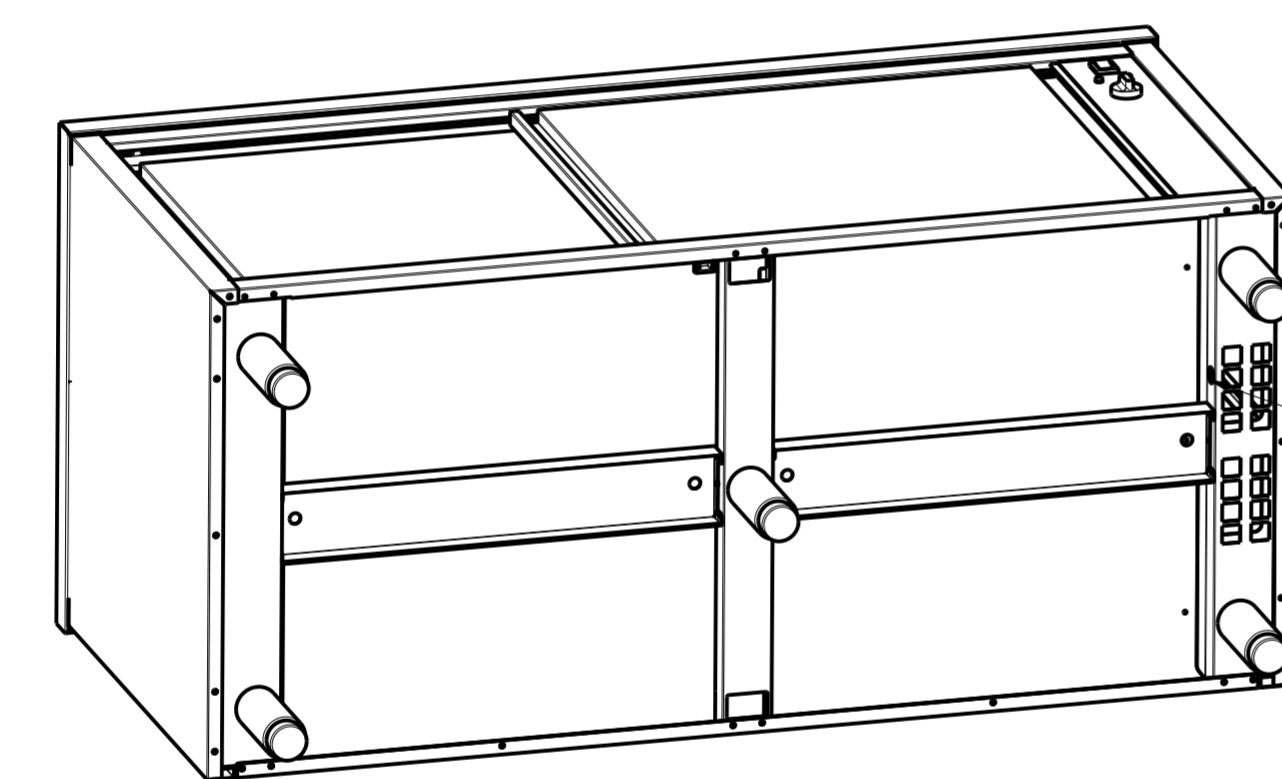
FRONT VIEW
B-B C-C 1:10



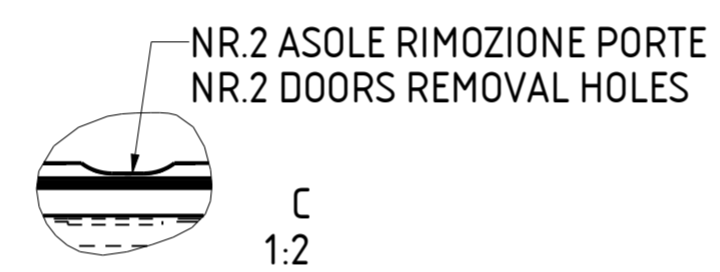
PASSAGGIO ARIA CALDA
HOT AIR PASSAGE GRILL

E-E USCITA MODULO CALDO
POWER SUPPLY OUTPUT

E 2.5



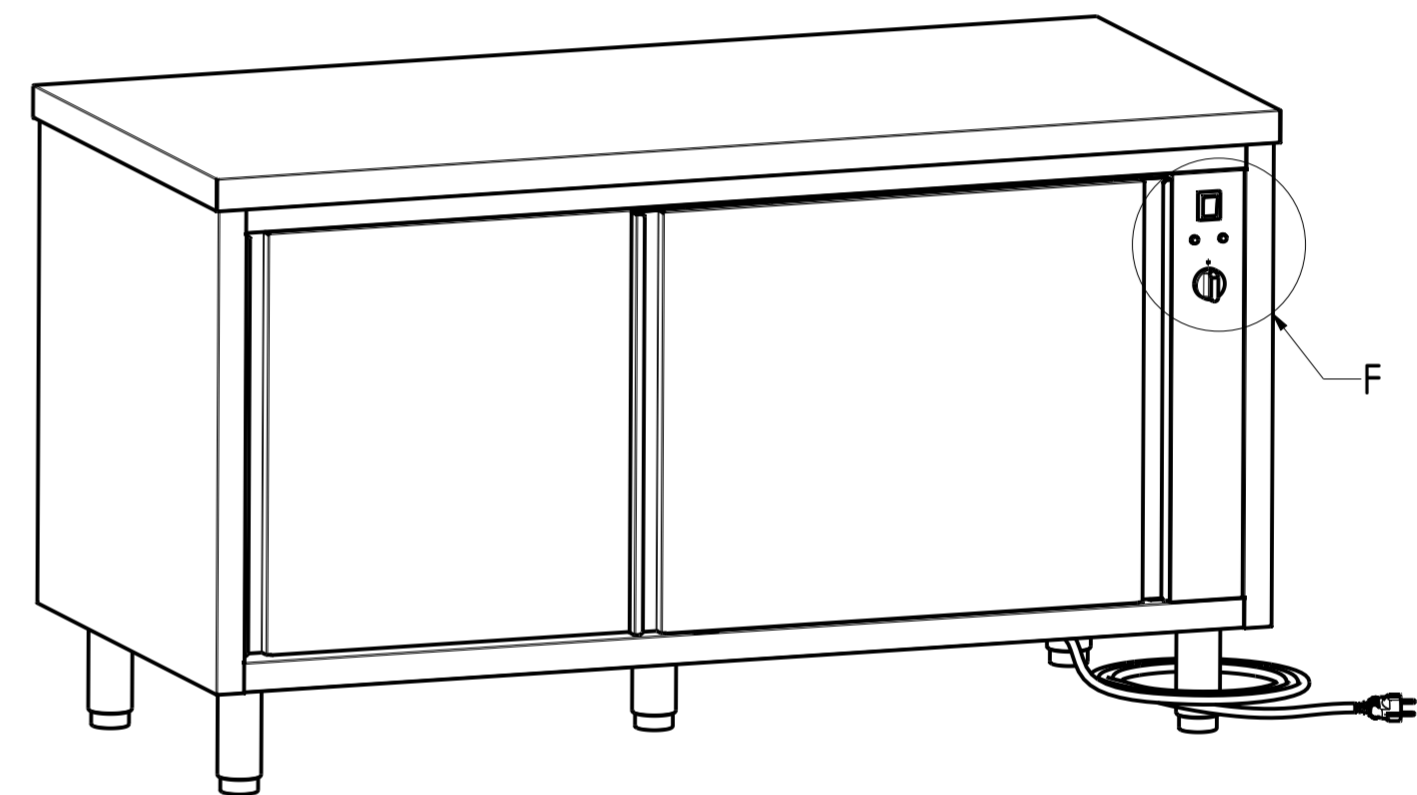
3D BOTTOM VIEW 1:10



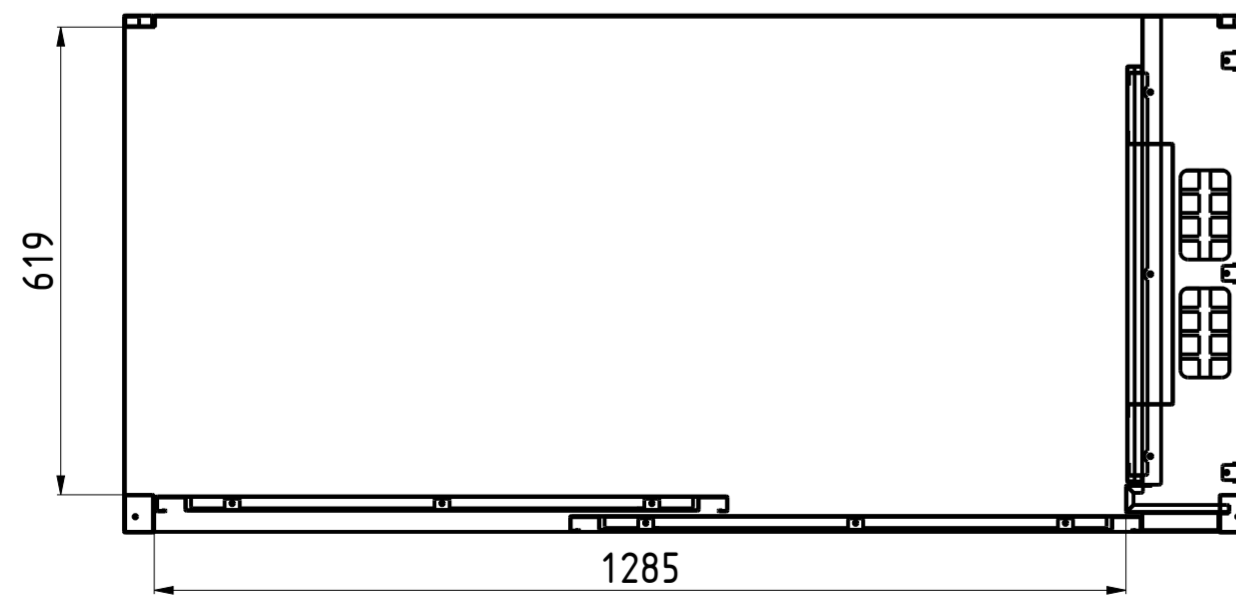
NR.2 ASOLE RIMOZIONE PORTE
NR.2 DOORS REMOVAL HOLES

C
1:2

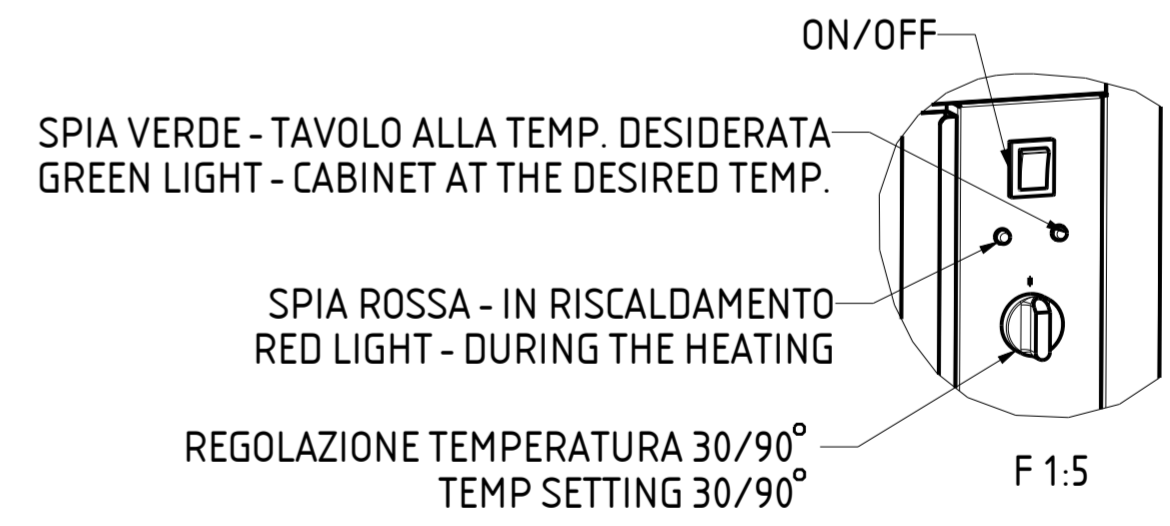
*USCITA MODULO CALDO
POWER SUPPLY OUTPUT



F



INTERNAL DIM
D-D



SPIA VERDE - TAVOLO ALLA TEMP. DESIDERATA
GREEN LIGHT - CABINET AT THE DESIRED TEMP.

SPIA ROSSA - IN RISCALDAMENTO
RED LIGHT - DURING THE HEATING

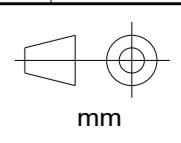
REGOLAZIONE TEMPERATURA 30/90°
TEMP SETTING 30/90°

F 1.5

DATA	MODIF. N.	DESCRIZIONE MODIFICHE	DISegnATO	APPROVATO
DATE	MODIF. NO.	MODIFICATION DESCRIPTION	DRAWN BY	APPROVED
MODELLO	TAVOLO ARMADIATO CALDO 150x70 SCHUKO		DISegNO N.	SCALA
MODEL	HOT TABLE CABINET 150x70 SCHUKO		DRAWING NO.	SCALE
PARTICOLARE	SCHEDA TECNICA		DISegNATO	DATA
DETAIL	DATA SHEET		DRAWN BY	DATE
MATERIALE	AISI 304 - AISI 430	SPES. THICK.	APPROVATO	SHEET
FINITURA		PEZZI N.	APPROVED	2 OF 3
TRATTAMENTO		PIECES NO.	REPLACES DRAWING NO.	ULTIMA EMISS.
TREATMENT		COLORE	REPLACED BY DRAWING NO.	LAST EDITION

RISTOPRO
PROFESSIONAL CATERING EQUIPMENT

RISTOPRO SRL
FRAZ. BORGO TUFICO, 47 FABRIANO (AN)
ITALY +39.732.043494
WWW.RISTOPRO.COM



FORM.A-2

ELABORATO CON SISTEMA CAD
DESIGNED BY CAD\$TEM

QUOTA PRIMARIA
PRIMARY DIMENSION
XX

ANGOLI
Angles
30°

TOLLERANCE UNLESS OTHERWISE STATED

>500	±0.75
400-500	±0.65
315-400	±0.60
250-315	±0.55
180-250	±0.50
120-180	±0.45
80-120	±0.40
50-80	±0.35
30-50	±0.30
18-30	±0.25
10-18	±0.20
5-10	±0.15
0-5	±0.10

LUNGH. E DIAM.
LENGHT AND DIAM.
mm