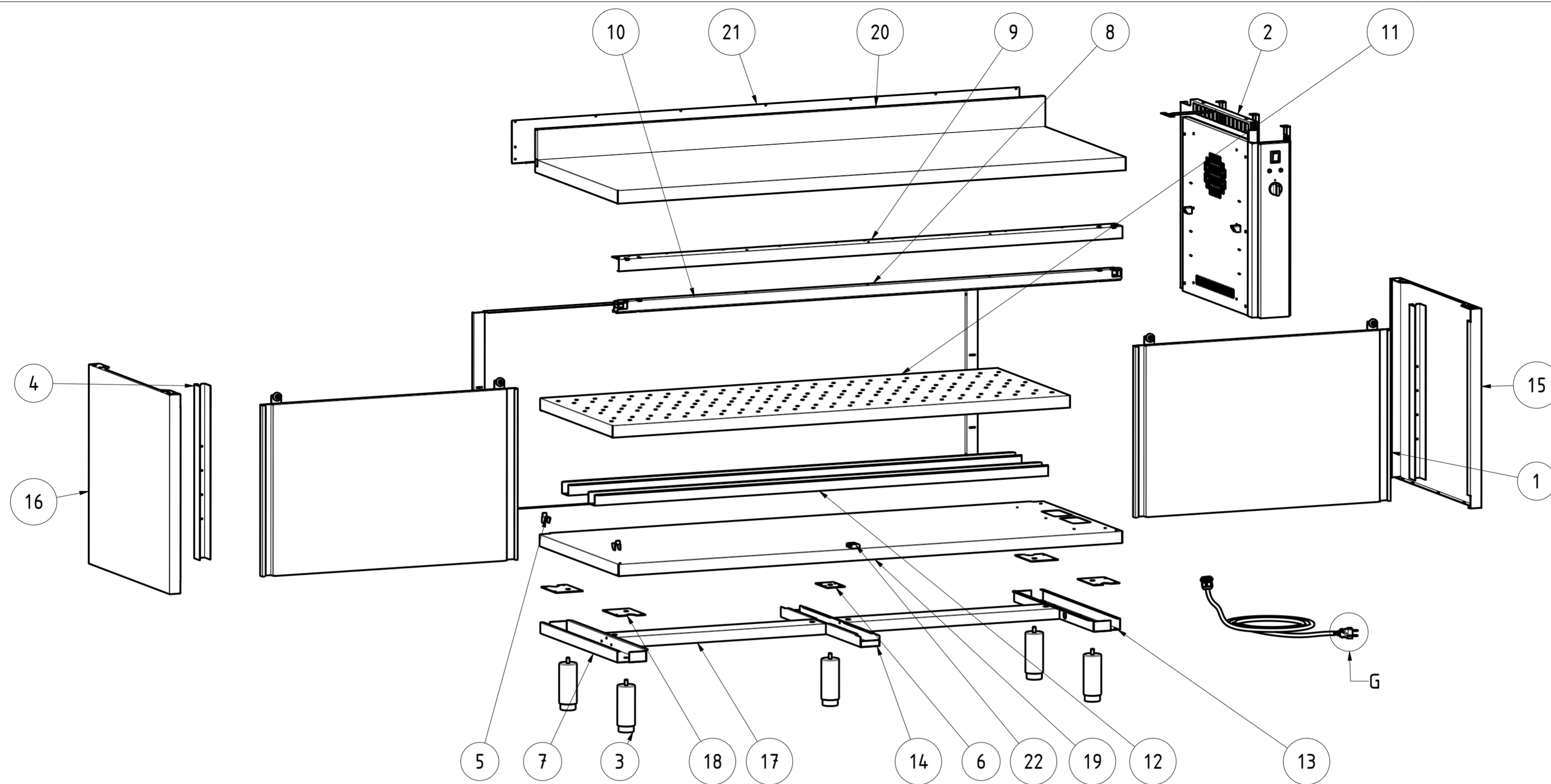


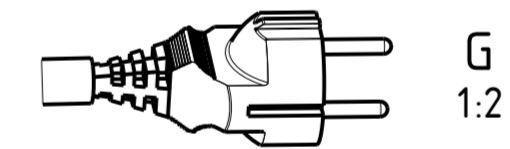
EXPLOSIONSZEICHNUNG



KBS Gastrotechnik GmbH – Schoßbergstraße 26 – 65201 Wiesbaden



22	TACCHDSTA	2	TACCHETTO GUIDA PORTE	SLIDING DOOR GUIDE
21	NT4016Q	1	CHIUSURA ALZATINA TOP Q L180	UPSTAND BACK TOP Q L180
20	NT3969Q	1	TOP Q CON ALZATINA 180x70	TOP Q UPSTAND 180x70
19	NT5444	1	PIANO BASE CALDO 180x70	BASE SHELF 180x70
18	NT4144	4	PIASTRA RIV. PIEDINO PORTA BATTENTE	PLATE EXTERNAL LEG HINGED DOOR
17	NT4062	2	OMEGA LONGITUDINALE (DIV.2) L180	LONGITUDINAL OMEGA L180
16	NT4044	1	PANNELLO LATERALE SX P70 H85	LEFT SIDE PANEL P70 H85
15	NT4043	1	PANNELLO LATERALE DX CALDO P70 H85	RIGHT SIDE PANEL P70 H85
14	NT4033	1	OMEGA CENTR RIV. PIANO BASE P70	CENTRAL OMEGA BASE SHELF P70
13	NT4032	1	OMEGA LATERALE PIANO BASE TAVOLO CALDO P70	LATERAL OMEGA BASE SHELF HOTTED P70
12	NT3726	2	OMEGA RINFORZO PIANO INTERNO TAC TACP L180	OMEGA SHELF RENINFORCEMENT L180
11	NT3725	1	PIANO INTERNO REGOLABILE TAC 180x70	INTERNAL ADJUSTABLE SHELF TAC 180x70
10	NT3636	1	SCHIENALE L180 H85	BACK L180 H85
9	NT3596	1	ANGOLARE SUPP. BINARIO L180	ANGULAR BINARY SUPPORT L180
8	NT3585	1	BINARIO TAVOLI ARMADIATI L180	BINARY L180
7	NT2450	1	OMEGA LATERALE PIANO BASE P70	LATERAL OMEGA BASE SHELF P70
6	NT335	1	PIASTRA RINFORZO PER GAMBA CENTRALE	PLATE CENTRAL LEG
5	NT330	2	STAFFA SUPPORTO RIPIANO INTERNO	GANCRIIP - INTERNAL SHELF SUPPORT BRACKET
4	NT101	2	MONTANTE ASOLATO PER LATERALI H85	SLOTTED UPRIGHT H85
3	DSPIEDTA	5	PIEDINO PER TAVOLI ARMADIATI	FOOT FOR CABINET TABLES
2	ASS_GRUPPO_CALDO_70_PSH	1	ASSIEME GRUPPO CALDO P70 SCHUKO	HOT GROUP ASSEMBLY P70 SCHUKO
1	APS_L180_H85	2	ASSIEME PORTE SCORREVOLI L180 H85	SLIDING DOORS ASSEMBLY L180 H85
ITEM NO	PART NUMBER	QTY	DESCRIPTION	



DATA DATE	MODIF. N. MODIF. NO.	DESCRIZIONE MODIFICHE MODIFICATION DESCRIPTION	DISEGNATO DRAWN BY	APPROVATO APPROVED
MODELLO MODEL	TAVOLO ARMADIATO CALDO 180x70 SCHUKO ALZATINA HOT TABLE CABINET 180x70 SCHUKO UPSTAND		DISEGNO N. DRAWING NO.	SCALA SCALE
PARTICOLARE DETAIL	ESPLOSO EXPLODED VIEW		DISEGNATO DRAWN BY	DATA DATE
MATERIALE MATERIAL	AISI 304 - AISI 430	SPESS. THICK.	APPROVATO APPROVED	SHEET 3 OF 3
FINITURA FINISH		PEZZI N. PIECES NO.	SOSTITUISCE IL DIS. N. IT REPLACES DRAWING NO.	ULTIMA EMISS. LAST EDITION
TRATTAMENTO TREATMENT	COLORE COLOUR	SOSTITUITO DAL DIS. N. REPLACED BY DRAWING NO.		
		RISTOPRO SRL FRAZ. BORGO TUFICO, 47 FABRIANO (AN) ITALY +39.732.043494 WWW.RISTOPRO.COM		mm

ELABORATO CON SISTEMA CAD
DESIGNED BY CAD/STEM

QUOTA PRIMARIA
PRIMARY DIMENSION
XX

ANGOLI
Angles
30°

TOLLERANZA UNLESS OTHERWISE STATED

>500	±0.75
400-500	±0.65
315-400	±0.60
250-315	±0.55
180-250	±0.50
120-180	±0.45
80-120	±0.40
50-80	±0.35
30-50	±0.30
10-30	±0.25
5-10	±0.15
0-5	±0.10

QUOTE SENZA TOLLERANZA
DIM. E DIAM.
LENGTH AND DIAM.

FORM.A-2