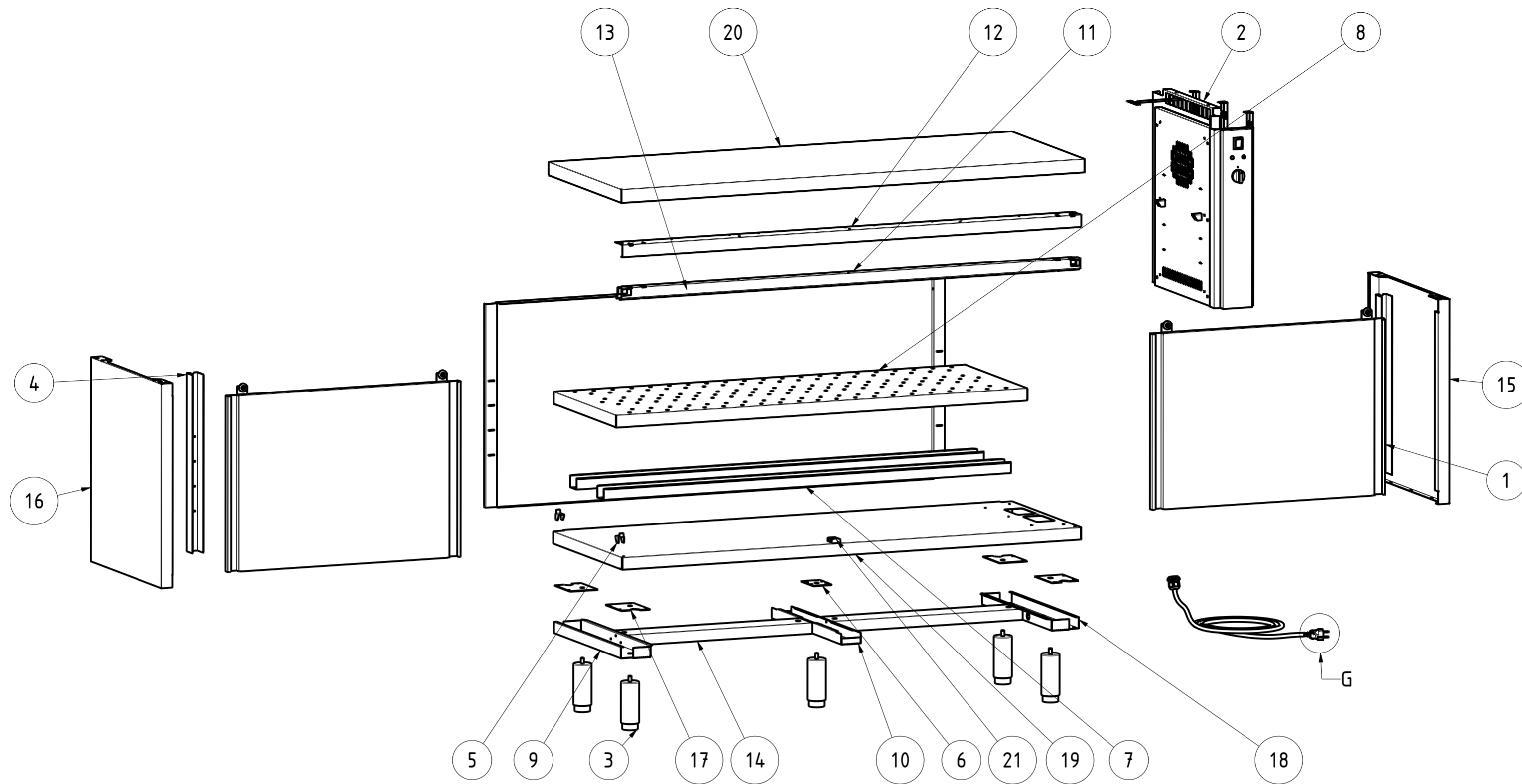


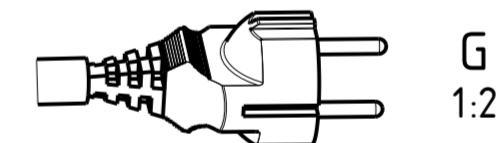
EXPLOSIONSZEICHNUNG



KBS Gastrotechnik GmbH – Schoßbergstraße 26 – 65201 Wiesbaden



21	TACCHDSTA	2	TACCHETTO GUIDA PORTE	SLIDING DOOR GUIDE
20	NT3923Q	1	TOP Q 160x60	TOP Q 160x60
19	NT5973	1	PIANO BASE CALDO 160x60	BASE SHELF 160x60
18	NT4277	1	OMEGA LATERALE PIANO BASE TAVOLO CALDO P60	LATERAL OMEGA BASE SHELF HOTTED P60
17	NT4144	4	PIASTRA RIV PIEDINO PORTA BATTENTE	PLATE EXTERNAL LEG HINGED DOOR
16	NT4042	1	PANNELLO LATERALE SX P60 H85	LEFT SIDE PANEL P60 H85
15	NT4041	1	PANNELLO LATERALE DX CALDO P60 H85	RIGHT SIDE PANEL P60 H85
14	NT4029	2	OMEGA LONGITUDINALE L160	LONGITUDINAL OMEGA L160
13	NT3634	1	SCHIENALE L160 H85	BACK L160 H85
12	NT3594	1	ANGOLARE SUPP. BINARIO L160	ANGULAR BINARY SUPPORT L160
11	NT3583	1	BINARIO TAVOLI ARMADIATI L160	BINARY L160
10	NT2353	1	OMEGA CENTR RIV. PIANO BASE P60	CENTRAL OMEGA BASE SHELF P60
9	NT2351	1	OMEGA LATERALE PIANO BASE P60	LATERAL OMEGA BASE SHELF P60
8	NT2349	1	PIANO INTERNO REGOLABILE TAC 160x60	INTERNAL ADJUSTABLE SHELF TAC 160x60
7	NT1144	2	OMEGA RINFORZO PIANO INTERNO TAC TACP L160	OMEGA SHELF RENINFORCEMENT L160
6	NT335	1	PIASTRA RINFORZO PER GAMBA CENTRALE	PLATE CENTRAL LEG
5	NT330	2	STAFFA SUPPORTO RIPIANO INTERNO	GANCRIIP - INTERNAL SHELF SUPPORT BRACKET
4	NT101	2	MONTANTE ASOLATO PER LATERALI H85	SLOTTED UPRIGHT H85
3	DSPIEDTA	5	PIEDINO PER TAVOLI ARMADIATI	FOOT FOR CABINET TABLES
2	ASS_GRUPPO_CALDO_60_PSH	1	ASSIEME GRUPPO CALDO P60 SCHUKO	HOT GROUP ASSEMBLY P60 SCHUKO
1	APS_L160_H85	2	ASSIEME PORTE SCORREVOLI L160 H85	SLIDING DOORS ASSEMBLY L160 H85
ITEM NO	PART NUMBER	QTY	DESCRIPTION	



DATA DATE	MODIF. N. MODIF. NO.	DESCRIZIONE MODIFICHE MODIFICATION DESCRIPTION	DISegnATO DRAWN BY	APPROVATO APPROVED
MODELLO MODEL	TAVOLO ARMADIATO CALDO 160x60 SCHUKO HOT TABLE CABINET 160x60 SCHUKO		DISEGNO N. DRAWING NO.	SCALA SCALE
PARTICOLARE DETAIL	ESPLOSO EXPLODED VIEW		DISEGNATO DRAWN BY	DATA DATE
MATERIALE MATERIAL	AISI 304 - AISI 430	SPES. THICK.	APPROVATO APPROVED	SHEET 3 OF 3
FINITURA FINISH		PEZZI N. PIECES NO.	SOSTITUISCE IL DIS. N. IT REPLACES DRAWING NO.	ULTIMA EMISS. LAST EDITION
TRATTAMENTO TREATMENT		COLORE COLOUR	SOSTITUITO DAL DIS. N. REPLACED BY DRAWING NO.	
		RISTOPRO SRL FRAZ. BORGO TUFICO, 47 FABRIANO (AN) ITALY +39.732.043494 WWW.RISTOPRO.COM		 mm

ELABORATO CON SISTEMA CAD
 DESIGNED BY CAD/STEM
 QUOTA PRIMARIA
 PRIMARY DIMENSION
 XX
 ANGOLI
 Angles
 >500
 $\pm 0,75$
 400-500
 $\pm 0,65$
 315-400
 $\pm 0,60$
 250-315
 $\pm 0,55$
 180-250
 $\pm 0,50$
 120-180
 $\pm 0,45$
 80-120
 $\pm 0,40$
 50-80
 $\pm 0,35$
 30-50
 $\pm 0,30$
 10-30
 $\pm 0,25$
 5-10
 $\pm 0,15$
 0-5
 $\pm 0,10$
 TOLLERANZA UNLESS OTHERWISE STATED
 QUOTE SENZA TOLLERANZA
 DIMENSIONS WITHOUT TOLERANCES
 LUNGHEZZE E DIAMETRI
 LENGTH AND DIAMETERS
 FORM.A-2