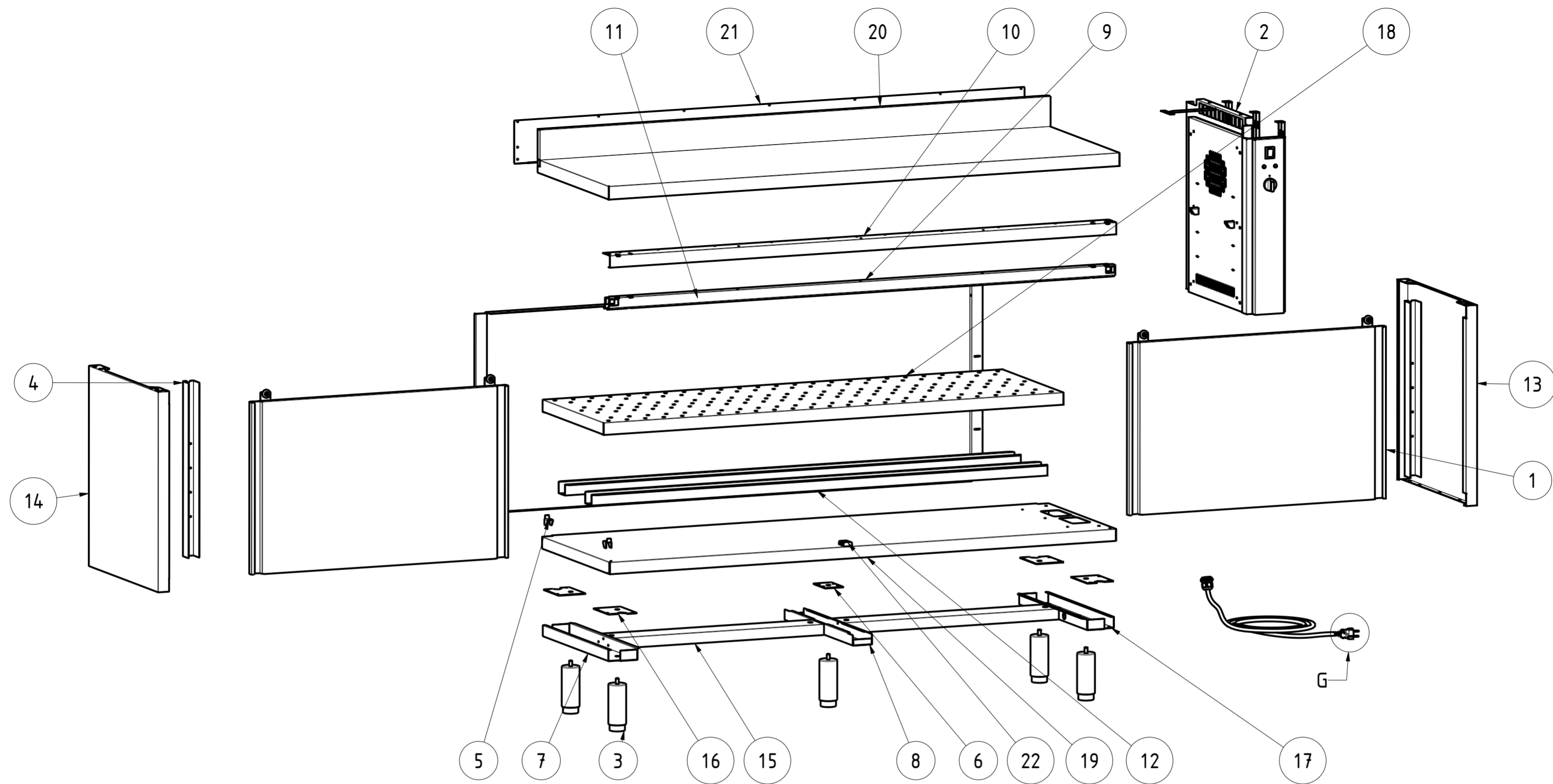


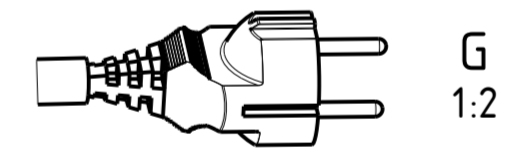
EXPLOSIONSZEICHNUNG



KBS Gastrotechnik GmbH – Schoßbergstraße 26 – 65201 Wiesbaden



22	TACCHDSTA	2	TACCHETTO GUIDA PORTE	SLIDING DOOR GUIDE
21	NT4016Q	1	CHIUSURA ALZATINA TOP Q L180	UPSTAND BACK TOP Q L180
20	NT3954Q	1	TOP Q CON ALZATINA 180x60	TOP Q UPSTAND 180x60
19	NT4919	1	PIANO BASE CALDO 180x60	BASE SHELF 180x60
18	NT4609	1	PIANO INTERNO REGOLABILE TAC 180x60	INTERNAL ADJUSTABLE SHELF TAC 180x60
17	NT4277	1	OMEGA LATERALE PIANO BASE TAVOLO CALDO P60	LATERAL OMEGA BASE SHELF HOTTED P60
16	NT4144	4	PIASTRA RIV PIEDINO PORTA BATTENTE	PLATE EXTERNAL LEG HINGED DOOR
15	NT4062	2	OMEGA LONGITUDINALE (DIV.2) L180	LONGITUDINAL OMEGA L180
14	NT4042	1	PANNELLO LATERALE SX P60 H85	LEFT SIDE PANEL P60 H85
13	NT4041	1	PANNELLO LATERALE DX CALDO P60 H85	RIGHT SIDE PANEL P60 H85
12	NT3726	2	OMEGA RINFORZO PIANO INTERNO TAC TACP L180	OMEGA SHELF RENINFORCEMENT L180
11	NT3636	1	SCHIENALE L180 H85	BACK L180 H85
10	NT3596	1	ANGOLARE SUPP. BINARIO L180	ANGULAR BINARY SUPPORT L180
9	NT3585	1	BINARIO TAVOLI ARMADIATI L180	BINARY L180
8	NT2353	1	OMEGA CENTR RIV. PIANO BASE P60	CENTRAL OMEGA BASE SHELF P60
7	NT2351	1	OMEGA LATERALE PIANO BASE P60	LATERAL OMEGA BASE SHELF P60
6	NT335	1	PIASTRA RINFORZO PER GAMBA CENTRALE	PLATE CENTRAL LEG
5	NT330	2	STAFFA SUPPORTO RIPIANO INTERNO	GANCRIIP - INTERNAL SHELF SUPPORT BRACKET
4	NT101	2	MONTANTE ASOLATO PER LATERALI H85	SLOTTED UPRIGHT H85
3	DSPIEDTA	5	PIEDINO PER TAVOLI ARMADIATI	FOOT FOR CABINET TABLES
2	ASS_GRUPPO_CALDO_60_PSH	1	ASSIEME GRUPPO CALDO P60 SCHUKO	HOT GROUP ASSEMBLY P60 SCHUKO
1	APS_L180_H85	2	ASSIEME PORTE SCORREVOLI L180 H85	SLIDING DOORS ASSEMBLY L180 H85
ITEM NO	PART NUMBER	QTY	DESCRIPTION	



DATA	MODIF. N.	DESCRIZIONE MODIFICHE	DESIGNATO	APPROVATO
DATE	MODIF. NO.	MODIFICATION DESCRIPTION	DRAWN BY	APPROVED
MODELLO	TAVOLO ARMADIATO CALDO 180x60 SCHUKO ALZATINA		DISEGNO N.	SCALA
MODEL	HOT TABLE CABINET 180x60 SCHUKO UPSTAND		DRAWING NO.	DSTAC186APSH
PARTICOLARE	ESPLOSO		DISEGNATO	DATA
DETAIL	EXPLODED VIEW		DRAWN BY	DATE
MATERIALE	AISI 304 - AISI 430	SPESS. THICK.	APPROVATO	SHEET
FINITURA		PEZZI N. PIECES NO.	APPROVED	3 OF 3
TRATTAMENTO		COLORE COLOUR	SOSTITUISCE IL DIS. N. IT REPLACES DRAWING NO.	ULTIMA EMISS. LAST EDITION
TREATMENT			SOSTITUITO DAL DIS. N. REPLACED BY DRAWING NO.	
		RISTOPRO SRL FRAZ. BORGO TUFICO, 47 FABRIANO (AN) ITALY +39.732.043494 WWW.RISTOPRO.COM		

ELABORATO CON SISTEMA CAD
 DESIGNED BY CAD/STEM
 QUOTA PRIMARIA
 PRIMARY DIMENSION
 XX
 ANGOLI
 Angles
 30°
 >500
 ±0.75
 400-500
 ±0.65
 315-400
 ±0.60
 250-315
 ±0.55
 180-250
 ±0.50
 120-180
 ±0.45
 80-120
 ±0.40
 50-80
 ±0.35
 30-50
 ±0.30
 10-30
 ±0.25
 5-10
 ±0.15
 0-5
 ±0.10
 TOLLERANZA UNLESS OTHERWISE STATED
 QUOTE SENZA TOLLERANZA
 DIMENSIONS WITHOUT TOLERANCES
 LUNGHEZZE E DIAMETRI
 LENGTH AND DIAMETERS
 FORM.A-2