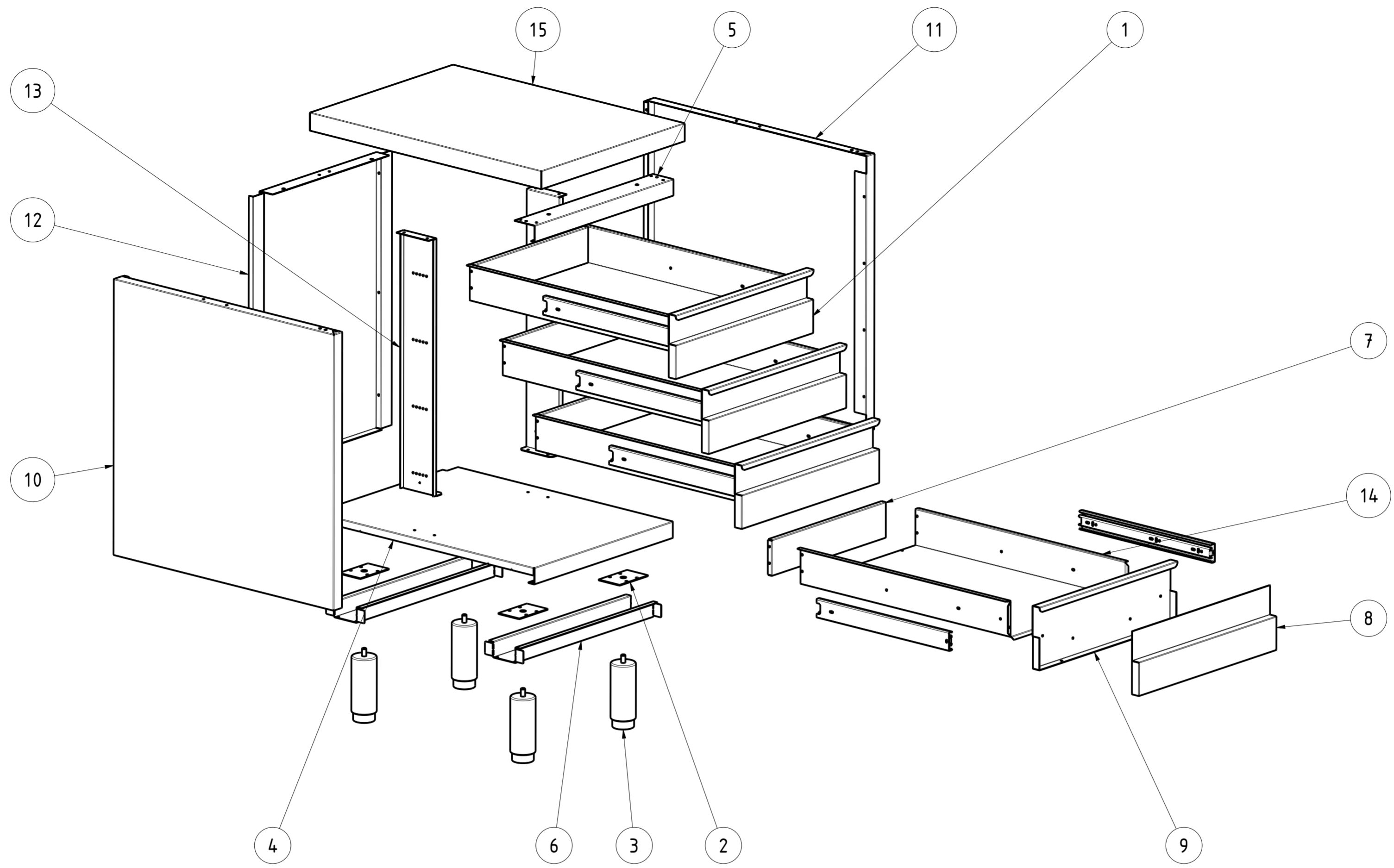


EXPLOSIONSZEICHNUNG



KBS Gastrotechnik GmbH – Schoßbergstraße 26 – 65201 Wiesbaden



15	NT3927Q	1	TOP Q 50x70	TOP Q 50x70
14	NT13742	4	VANO CASSETTO L50 P70 H15.5/16	DRAWER COMPARTMENT L50 P70 H15.5
13	NT13738	2	SUPPORTO VERTIC. GUIDE TELESCOPICHE 4 CASS H85	VERTICAL SUPPORT TELESCOPIC GUIDES 4 CASS H85
12	NT13734	1	SCHIENALE L50 H85	BACK L50 H85
11	NT13732	1	PANNELLO LATERALE DX DSCQ P70	RIGHT SIDE PANEL DSCQ P70
10	NT13724	1	PANNELLO LATERALE SX DSCQ P70	LEFT SIDE PANEL DSCQ P70
9	NT13694	4	FRONTALE INTERNO CASSETTO L50 H15.5	INTERNAL DRAWER FRONT L50 H15.5
8	NT13593	4	FRONTALE ESTERNO CASSETTO L50 H15.5	EXTERNAL DRAWER FRONT L50 H15.5
7	NT6015	4	CHIUSURA VANO CASSETTO L50 H16	DRAWER CLOSING L50 H16
6	NT738	2	OMEGA RINFORZO PIANO BASE L50	BASE REINFORCEMENT L50
5	NT737	1	ANGOLARE L50	ANGULAR L50
4	NT735	1	PIANO BASE 50x70	BASE SHELF 50x70
3	NT391	4	PIEDINO PER TAVOLI ARMADIATI	FOOT FOR CABINET TABLES
2	NT335	4	PIASTRA RINFORZO PER GAMBA CENTRALE	PLATE CENTRAL LEG
1	DRAWER_DSCQ_50_68_15-5	4	ASS CASSETTO DSCQ L50 P70 H15.5	DRAWER ASSEMBLY DSCQ L50 P70 H15.5
ITEM NO	PART NUMBER	QTY	DESCRIPTION	

DATA DATE	MODIF. N. MODIF. NO.	DESCRIZIONE MODIFICHE MODIFICATION DESCRIPTION	DISEGNATO DRAWN BY	APPROVATO APPROVED
MODELLO MODEL		MOBILE CASS RA CON 4 CASS 50x70x85 DRAWER CABINET WITH 4 DRAWERS 50x70x85	DISSEGNO N. DRAWING NO. DSNCQ057	SCALA SCALE -
PARTICOLARE DETAIL		ESPLOSO EXPLODED VIEW	DISEGNATO DRAWN BY M.PAPI	DATA DATE -
MATERIALE MATERIAL			SPES. THICK.	APPROVATO APPROVED
FINITURA FINISH			PEZZI N. PIECES NO.	SOSTITUISCE IL DIS. N. IT REPLACES DRAWING NO.
TRATTAMENTO TREATMENT			COLORE COLOUR	SOSTITUITO DAL DIS. N. REPLACED BY DRAWING NO.
				ULTIMA EMISS. LAST EDITION
				SHEET 5 OF 5

RISTOPRO
 PROFESSIONAL CATERING EQUIPMENT

RISTOPRO SRL
 FRAZ. BORGO TUFICO, 47 FABRIANO (AN)
 ITALY +39.732.043494
 WWW.RISTOPRO.COM

mm

QUOTE SENZA TOLLERANZA TOLERANCE UNLESS OTHERWISE STATED
 QUOTE PRIMARY DIMENSION
 ELABORATO CON SISTEMA CAD DESIGNED BY CAD/STEM
 ANGOLI Angles 30°
 >500 ±0.75
 400-500 ±0.65
 315-400 ±0.60
 250-315 ±0.55
 120-180 ±0.45
 80-120 ±0.40
 50-80 ±0.35
 30-50 ±0.30
 10-18 ±0.20
 5-10 ±0.15
 0-5 ±0.10
 LUNGHEZZE E DIAM. LENGTH AND DIAM.