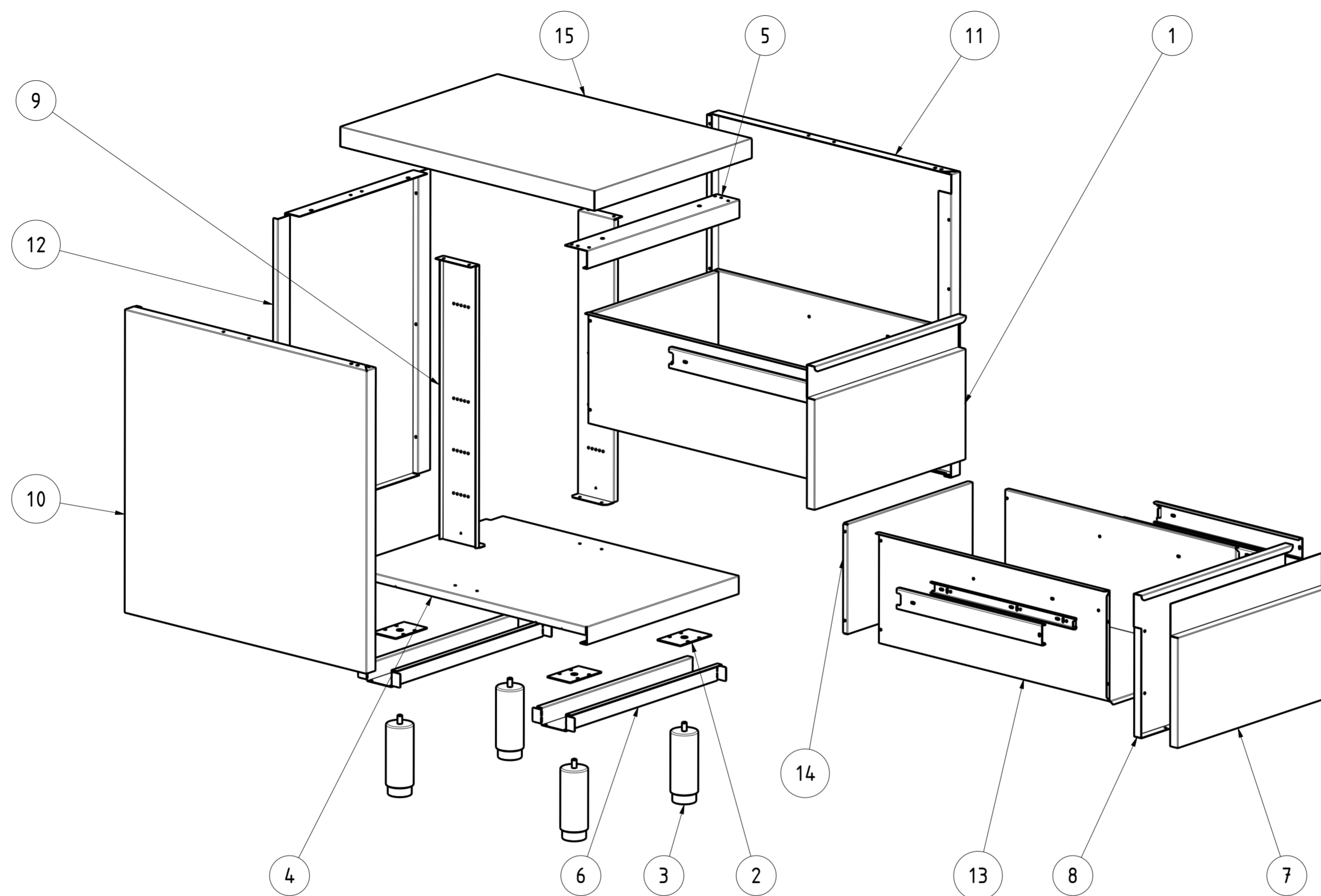


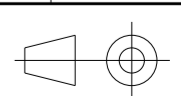
EXPLOSIONSZEICHNUNG



KBS Gastrotechnik GmbH – Schoßbergstraße 26 – 65201 Wiesbaden



15	NT3927Q	1	TOP Q 50x70	TOP Q 50x70
14	NT13953	2	CHIUSURA VANO CASSETTO L50 H31.2	DRAWER CLOSING L50 H31.2
13	NT13951	2	VANO CASSETTO L50 P70 H31.2	DRAWER COMPARTMENT L50 P70 H31.2
12	NT13734	1	SCHIENALE L50 H85	BACK L50 H85
11	NT13688	1	PANNELLO LATERALE DX DSCD P70	RIGHT SIDE PANEL DSCD P70
10	NT13686	1	PANNELLO LATERALE SX DSCD P70	LEFT SIDE PANEL DSCD P70
9	NT13684	2	SUPPORTO VERTIC. GUIDE TELESCOPICHE 2 CASS H85	VERTICAL SUPPORT TELESCOPIC GUIDES 2 DRAW H85
8	NT13683	2	FRONTALE INTERNO CASSETTO L50 H31.2	INTERNAL DRAWER FRONT L50 H31.2
7	NT13588	2	FRONTALE ESTERNO CASSETTO L50 H31.2	EXTERNAL DRAWER FRONT L50 H31.2
6	NT738	2	OMEGA RINFORZO PIANO BASE L50	BASE REINFORCEMENT L50
5	NT737	1	ANGOLARE L50	ANGULAR L50
4	NT735	1	PIANO BASE 50x70	BASE SHELF 50x70
3	NT391	4	PIEDINO PER TAVOLI ARMADIATI	FOOT FOR CABINET TABLES
2	NT335	4	PIASTRA RINFORZO PER GAMBA CENTRALE	PLATE CENTRAL LEG
1	DRAWER_DSCD_50_68_31-2	2	ASS CASSETTO DSCD L50 P70 H31.2	DRAWER ASSEMBLY DSCD L50 P70 H31.2
ITEM NO	PART NUMBER	QTY	DESCRIPTION	

DATA DATE	MODIF. N. MODIF. NO.	DESCRIZIONE MODIFICHE MODIFICATION DESCRIPTION	DISegnATO DRAWN BY	APPROVATO APPROVED
MODELLO MODEL	MOBILE CASS RA CON 2 CASS 50x70x85 DRAWER CABINET WITH 2 DRAWERS 50x70x85		DISEGNO N. DRAWING NO.	SCALA SCALE
PARTICOLARE DETAIL	ESPLOSO EXPLODED VIEW		DISEGNATO DRAWN BY	DATA DATE
MATERIALE MATERIAL	AISI 304 - AISI 430	SPES. THICK.	APPROVATO APPROVED	SHEET 5 OF 5
FINITURA FINISH		PEZZI N. PIECES NO.	SOSTITUISCE IL DIS. N. IT REPLACES DRAWING NO.	ULTIMA EMISS. LAST EDITION
TRATTAMENTO TREATMENT	COLORE COLOUR		SOSTITUITO DAL DIS. N. REPLACED BY DRAWING NO.	
RISTOPRO		RISTOPRO SRL FRAZ. BORGO TUFICO, 47 FABRIANO (AN) ITALY +39.732.043494 WWW.RISTOPRO.COM		
PROFESSIONAL CATERING EQUIPMENT				mm

ELABORATO CON SISTEMA CAD
DESIGNED BY CADSTEM

QUOTA PRIMARIA
PRIMARY DIMENSION
XX

ANGOLI
Angles
30°

TOLLERANZA UNLESS OTHERWISE STATED

Dimension Range	Tolerance
>500	±0.75
400-500	±0.65
315-400	±0.60
250-315	±0.55
180-250	±0.50
120-180	±0.45
80-120	±0.40
50-80	±0.35
30-50	±0.30
18-30	±0.25
10-18	±0.20
5-10	±0.15
0-5	±0.10

LUNGHEZZA E DIAM.
LENGTH AND DIAM.
FORM.A-2