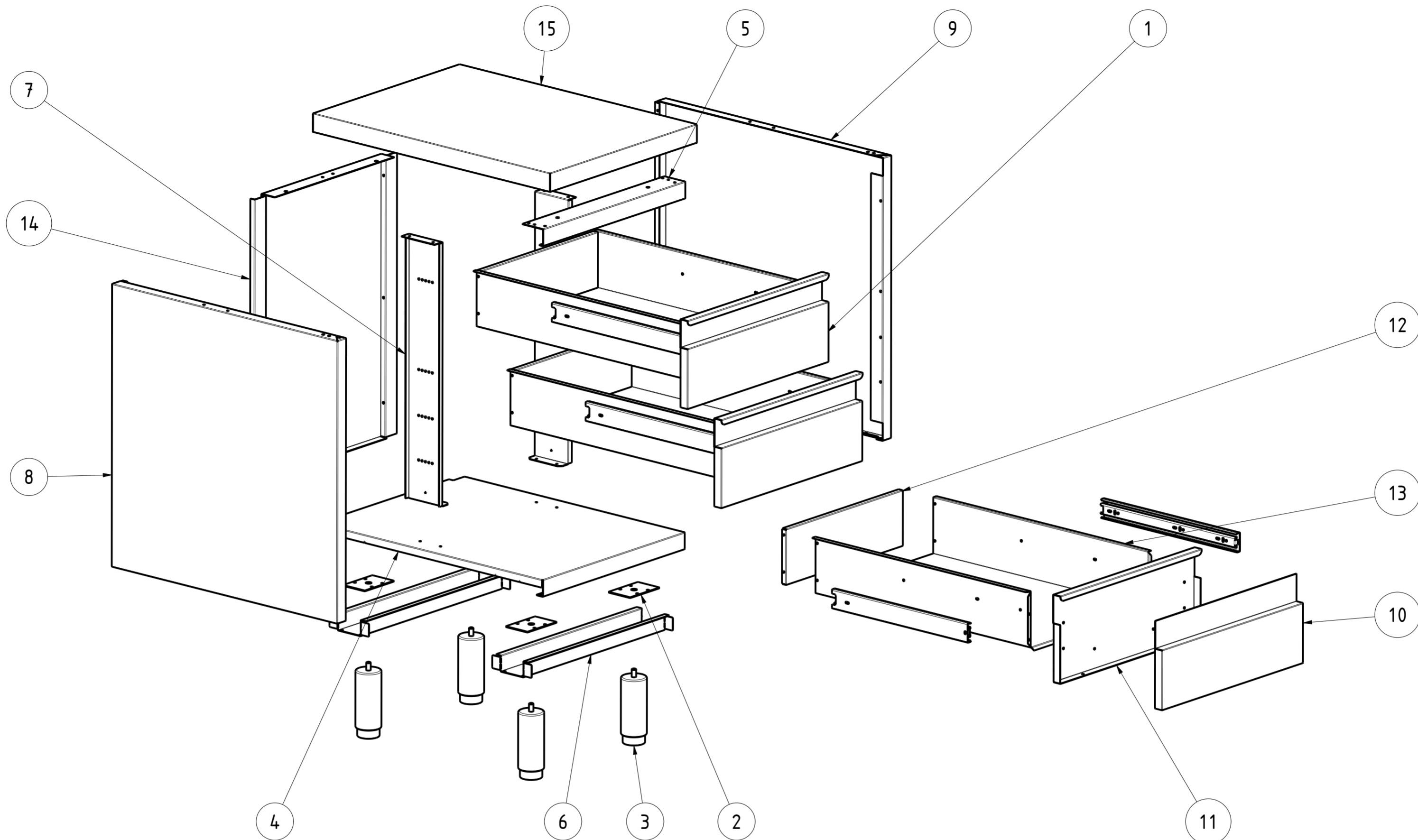


EXPLOSIONSZEICHNUNG



KBS Gastrotechnik GmbH – Schoßbergstraße 26 – 65201 Wiesbaden



15	NT3927Q	1	TOP Q 50x70	TOP Q 50x70
14	NT13734	1	SCHIENALE L50 H85	BACK L50 H85
13	NT13681	3	VANO CASSETTO L50 P70 H20.6	DRAWER COMPARTMENT L50 P70 H20.6
12	NT12530	3	CHIUSURA VANO CASSETTO L50 H20.6	DRAWER CLOSING L50 H20.6
11	NT12528	3	FRONTALE INTERNO CASSETTO L50 H20.6	INTERNAL DRAWER FRONT L50 H20.6
10	NT12527	3	FRONTALE ESTERNO CASSETTO L50 H20.6	EXTERNAL DRAWER FRONT L50 H20.6
9	NT12197	1	PANNELLO LATERALE DX DSCT P70	RIGHT SIDE PANEL DSCT P70
8	NT12196	1	PANNELLO LATERALE SX DSCT P70	LEFT SIDE PANEL DSCT P70
7	NT12175	2	SUPPORTO VERTIC. GUIDE TELESCOPICHE 3 CASS H85	VERTICAL SUPPORT TELESCOPIC GUIDES 3 CASS H85
6	NT738	2	OMEGA RINFORZO PIANO BASE L50	BASE REINFORCEMENT L50
5	NT737	1	ANGOLARE L50	ANGULAR L50
4	NT735	1	PIANO BASE 50x70	BASE SHELF 50x70
3	NT391	4	PIEDINO PER TAVOLI ARMADIATI	FOOT FOR CABINET TABLES
2	NT335	4	PIASTRA RINFORZO PER GAMBA CENTRALE	PLATE CENTRAL LEG
1	DRAWER_DSCT_50_68_20-6	3	ASS CASSETTO DSCT L50 P70 H20.6	DRAWER ASSEMBLY DSCT L50 P70 H20.6
ITEM NO	PART NUMBER	QTY	DESCRIPTION	

DATA DATE	MODIF. N. MODIF. NO.	DESCRIZIONE MODIFICHE MODIFICATION DESCRIPTION	DISEGNATO DRAWN BY	APPROVATO APPROVED
MODELLO MODEL	MOBILE CASS RA CON 3 CASS 50x70x85 DRAWER CABINET WITH 3 DRAWERS 50x70x85		DISEGNO N. DRAWING NO.	SCALA SCALE
PARTICOLARE DETAIL	ESPLOSO EXPLODED VIEW		DISEGNATO DRAWN BY	DATA DATE
MATERIALE MATERIAL	SPESS. THICK.	APPROVATO APPROVED	SHEET 5 OF 5	
FINITURA FINISH	PEZZI N. PIECES NO.	SOSTITUISCE IL DIS. N. IT REPLACES DRAWING NO.	ULTIMA EMISS. LAST EDITION	
TRATTAMENTO TREATMENT	COLORE COLOUR	SOSTITUITO DAL DIS. N. REPLACED BY DRAWING NO.		
		RISTOPRO SRL FRAZ. BORGO TUFICO, 47 FABRIANO (AN) ITALY +39.732.043494 WWW.RISTOPRO.COM		

ELABORATO CON SISTEMA CAD
DESIGNED BY CAD/STEM

QUOTA PRIMARIA
PRIMARY DIMENSION
XX

ANGOLI
Angles
30°

TOLLERANZA UNLESS OTHERWISE STATED	ANGOLI
>500	±0.75
400-500	±0.65
315-400	±0.60
250-315	±0.55
180-250	±0.50
120-180	±0.45
80-120	±0.40
50-80	±0.35
30-50	±0.30
10-30	±0.25
5-10	±0.15
0-5	±0.10

LUNGHEZZE E DIAM.
LENGTH AND DIAM.
mm