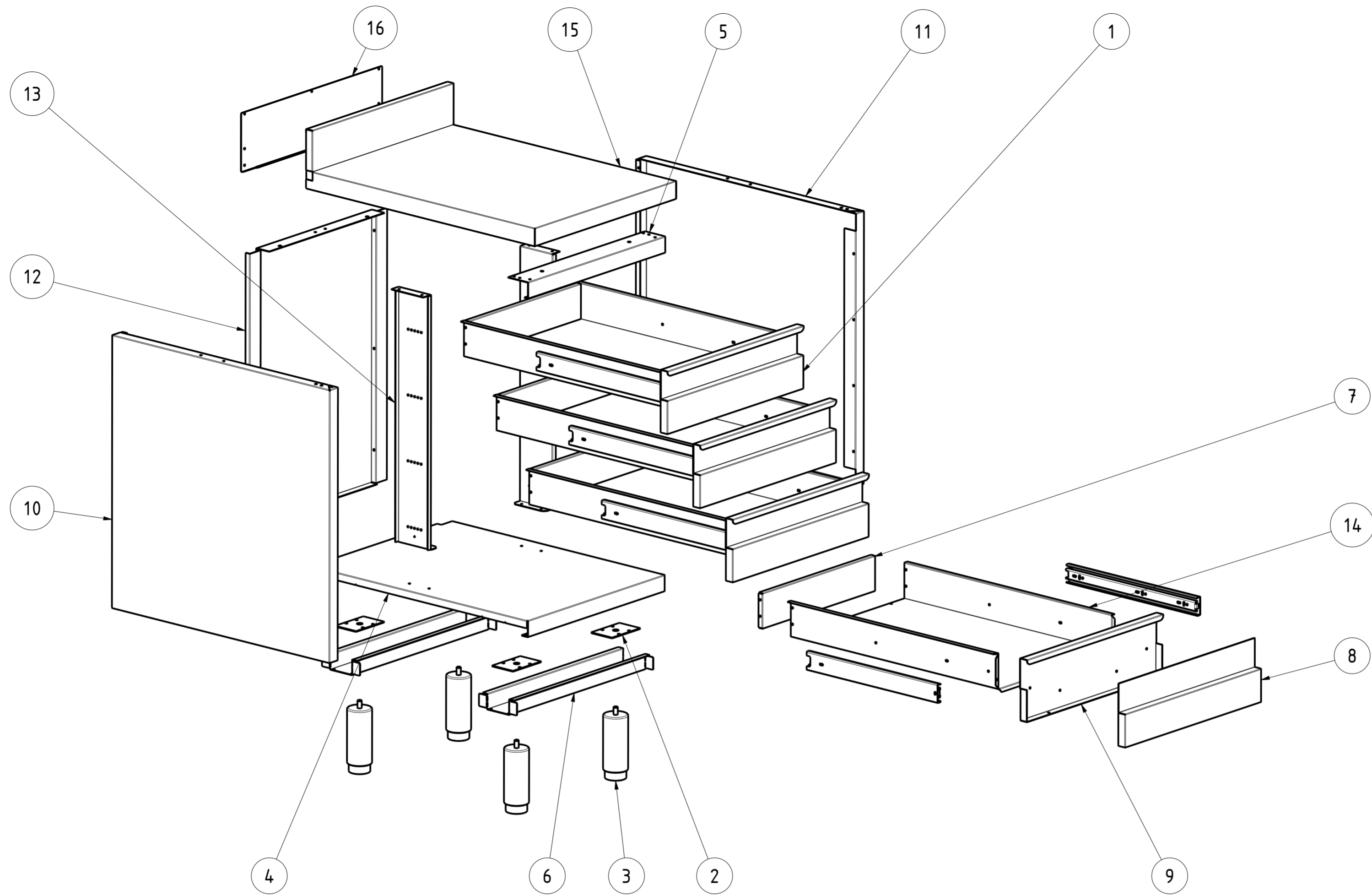


EXPLOSIONSZEICHNUNG



KBS Gastrotechnik GmbH – Schoßbergstraße 26 – 65201 Wiesbaden



16	NT4004Q	1	CHIUSURA ALZATINA TOP Q L50	UPSTAND BACK TOP Q L50
15	NT3957Q	1	TOP Q CON ALZATINA 50x70	TOP Q UPSTAND 50x70
14	NT13742	4	VANO CASSETTO L50 P70 H15.5/16	DRAWER COMPARTMENT L50 P70 H15.5
13	NT13738	2	SUPPORTO VERTIC. GUIDE TELESCOPICHE 4 CASS H85	VERTICAL SUPPORT TELESCOPIC GUIDES 4 CASS H85
12	NT13734	1	SCHIENALE L50 H85	BACK L50 H85
11	NT13732	1	PANNELLO LATERALE DX DSCQ P70	RIGHT SIDE PANEL DSCQ P70
10	NT13724	1	PANNELLO LATERALE SX DSCQ P70	LEFT SIDE PANEL DSCQ P70
9	NT13694	4	FRONTALE INTERNO CASSETTO L50 H15.5	INTERNAL DRAWER FRONT L50 H15.5
8	NT13593	4	FRONTALE ESTERNO CASSETTO L50 H15.5	EXTERNAL DRAWER FRONT L50 H15.5
7	NT6015	4	CHIUSURA VANO CASSETTO L50 H16	DRAWER CLOSING L50 H16
6	NT738	2	OMEGA RINFORZO PIANO BASE L50	BASE REINFORCEMENT L50
5	NT737	1	ANGOLARE L50	ANGULAR L50
4	NT735	1	PIANO BASE 50x70	BASE SHELF 50x70
3	NT391	4	PIEDINO PER TAVOLI ARMADIATI	FOOT FOR CABINET TABLES
2	NT335	4	PIASTRA RINFORZO PER GAMBA CENTRALE	PLATE CENTRAL LEG
1	DRAWER_DSCQ_50_68_15-5	4	ASS CASSETTO DSCQ L50 P70 H15.5	DRAWER ASSEMBLY DSCQ L50 P70 H15.5
ITEM NO	PART NUMBER	QTY	DESCRIPTION	

DATA DATE	MODIF. N. MODIF. NO.	DESCRIZIONE MODIFICHE MODIFICATION DESCRIPTION	DISEGNATO DRAWN BY	APPROVATO APPROVED
MODELLO MODEL	MOBILE CASS RA CON 4 CASS 50x70x85 ALZ DRAWER CABINET WITH 4 DRAWERS 50x70x85 UPSTAND		DISEGNO N. DRAWING NO.	SCALA SCALE
PARTICOLARE DETAIL	ESPLOSO EXPLODED VIEW		DISEGNATO DRAWN BY	DATA DATE
MATERIALE MATERIAL	SPESS. THICK.	APPROVATO APPROVED	SHEET 5 OF 5	
FINITURA FINISH	PEZZI N. PIECES NO.	SOSTITUISCE IL DIS. N. IT REPLACES DRAWING NO.	ULTIMA EMISS. LAST EDITION	
TRATTAMENTO TREATMENT	COLORE COLOUR	SOSTITUITO DAL DIS. N. REPLACED BY DRAWING NO.		
RISTOPRO PROFESSIONAL CATERING EQUIPMENT		RISTOPRO SRL FRAZ. BORGO TUFICO, 47 FABRIANO (AN) ITALY +39.732.043494 WWW.RISTOPRO.COM		 mm

ELABORATO CON SISTEMA CAD
DESIGNED BY CAD/STEM

QUOTA PRIMARIA
PRIMARY DIMENSION
XX

ANGOLI
Angles
30°

Tolleranza	>500	400-500	315-400	250-315
±0.75	±0.65	±0.55	±0.45	±0.35

TOLLERANZA UNLESS OTHERWISE STATED

Tolleranza	18-30	10-18	5-10
±0.25	±0.20	±0.15	±0.10

QUOTE SENZA TOLLERANZA
LUNGHEZZE E DIAM.
LENGTH AND DIAM.