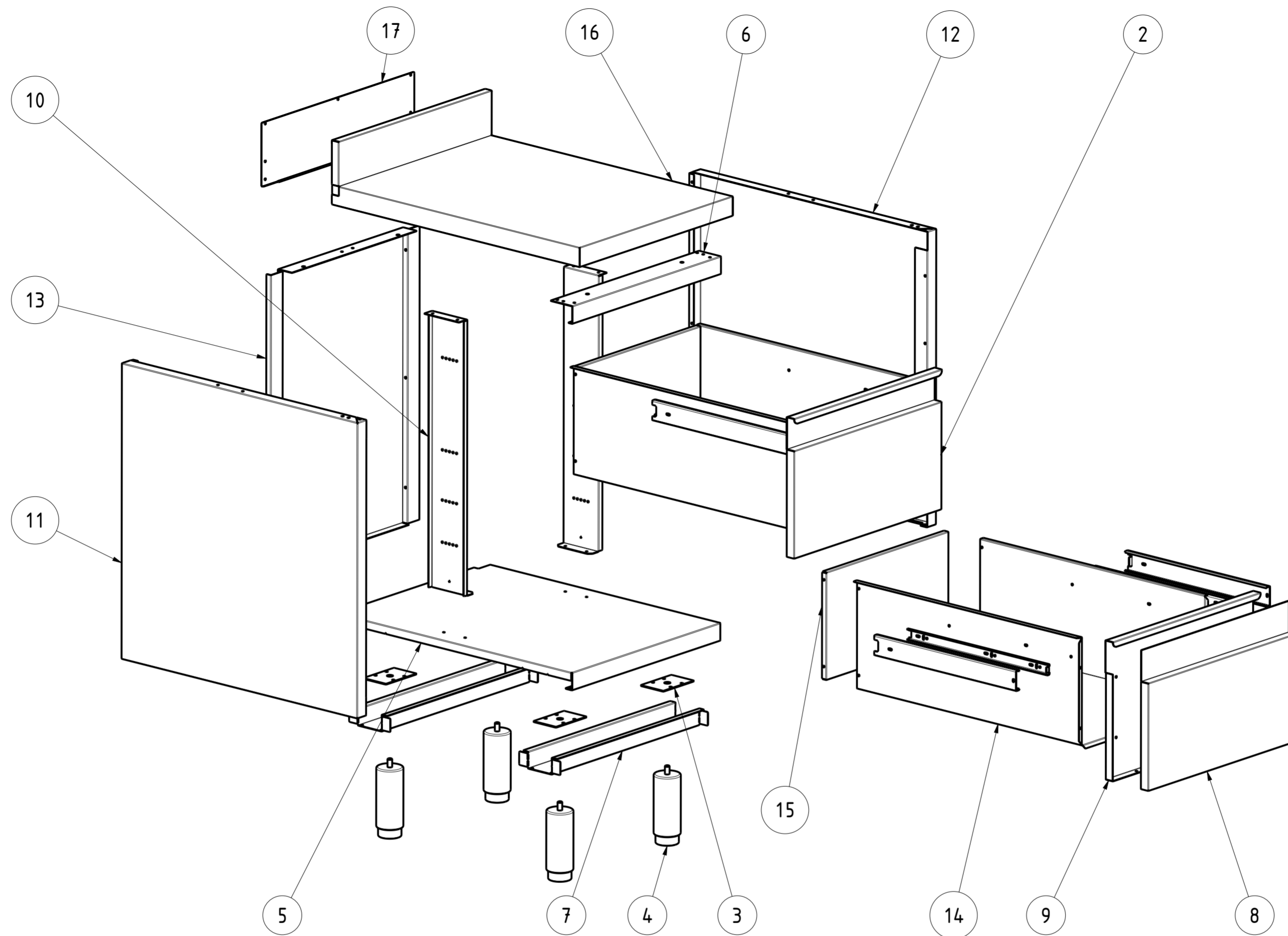


# EXPLOSIONSZEICHNUNG



KBS Gastrotechnik GmbH – Schoßbergstraße 26 – 65201 Wiesbaden



17	NT4004Q	1	CHIUSURA ALZATINA TOP Q L50	UPSTAND BACK TOP Q L50
16	NT3957Q	1	TOP Q CON ALZATINA 50x70	TOP Q UPSTAND 50x70
15	NT13953	2	CHIUSURA VANO CASSETTO L50 H31.2	DRAWER CLOSING L50 H31.2
14	NT13951	2	VANO CASSETTO L50 P70 H31.2	DRAWER COMPARTMENT L50 P70 H31.2
13	NT13734	1	SCHIENALE L50 H85	BACK L50 H85
12	NT13688	1	PANNELLO LATERALE DX DSCD P70	RIGHT SIDE PANEL DSCD P70
11	NT13686	1	PANNELLO LATERALE SX DSCD P70	LEFT SIDE PANEL DSCD P70
10	NT13684	2	SUPPORTO VERTIC. GUIDE TELESCOPICHE 2 CASS H85	VERTICAL SUPPORT TELESCOPIC GUIDES 2 DRAW H85
9	NT13683	2	FRONTALE INTERNO CASSETTO L50 H31.2	INTERNAL DRAWER FRONT L50 H31.2
8	NT13588	2	FRONTALE ESTERNO CASSETTO L50 H31.2	EXTERNAL DRAWER FRONT L50 H31.2
7	NT738	2	OMEGA RINFORZO PIANO BASE L50	BASE REINFORCEMENT L50
6	NT737	1	ANGOLARE L50	ANGULAR L50
5	NT735	1	PIANO BASE 50x70	BASE SHELF 50x70
4	NT391	4	PIEDINO PER TAVOLI ARMADIATI	FOOT FOR CABINET TABLES
3	NT335	4	PIASTRA RINFORZO PER GAMBA CENTRALE	PLATE CENTRAL LEG
2	DRAWER_DSCD_50_68_31-2	2	ASS CASSETTO DSCD L50 P70 H31.2	DRAWER ASSEMBLY DSCD L50 P70 H31.2
1	ASS_TOP_Q_50X70A	1	ASSIEME TOP Q CON ALZATINA 50x70	ASSEMBLY TOP Q WITH UPSTAND 50x70
ITEM NO	PART NUMBER	QTY	DESCRIPTION	

DATA DATE	MODIF. N. MODIF. NO.	DESCRIZIONE MODIFICHE MODIFICATION DESCRIPTION	DISegnATO DRAWN BY	APPROVATO APPROVED
MODELLO MODEL	MOBILE CASS RA CON 2 CASS 50x70x85 ALZ DRAWER CABINET WITH 2 DRAWERS 50x70x85 UPSTAND		DISEGNO N. DRAWING NO.	SCALA SCALE
PARTICOLARE DETAIL	ESPLOSO EXPLODED VIEW		DISEGNATO DRAWN BY	DATA DATE
MATERIALE MATERIAL	SPESS. THICK.	APPROVATO APPROVED	SHEET 5 OF 5	
FINITURA FINISH	PEZZI N. PIECES NO.	SOSTITUISCE IL DIS. N. IT REPLACES DRAWING NO.	ULTIMA EMISS. LAST EDITION	
TRATTAMENTO TREATMENT	COLORE COLOUR	SOSTITUITO DAL DIS. N. REPLACED BY DRAWING NO.		
		RISTOPRO SRL FRAZ. BORGO TUFICO, 47 FABRIANO (AN) ITALY +39.732.043494 WWW.RISTOPRO.COM		

ELABORATO CON SISTEMA CAD  
DESIGNED BY CADSTEM

QUOTA PRIMARIA  
PRIMARY DIMENSION  
XX

ANGOLI  
Angles  
30°

>500  
±0.75  
400-500  
±0.65  
315-400  
±0.60  
250-315  
±0.55

120-180  
±0.45  
80-120  
±0.40  
50-80  
±0.35  
30-50  
±0.30  
18-30  
±0.25

5-10  
±0.15  
10-18  
±0.20  
10-18  
±0.20

0-5  
±0.10

LUNGHEZZA E DIAM.  
LENGTH AND DIAM.  
mm

FORM.A-2