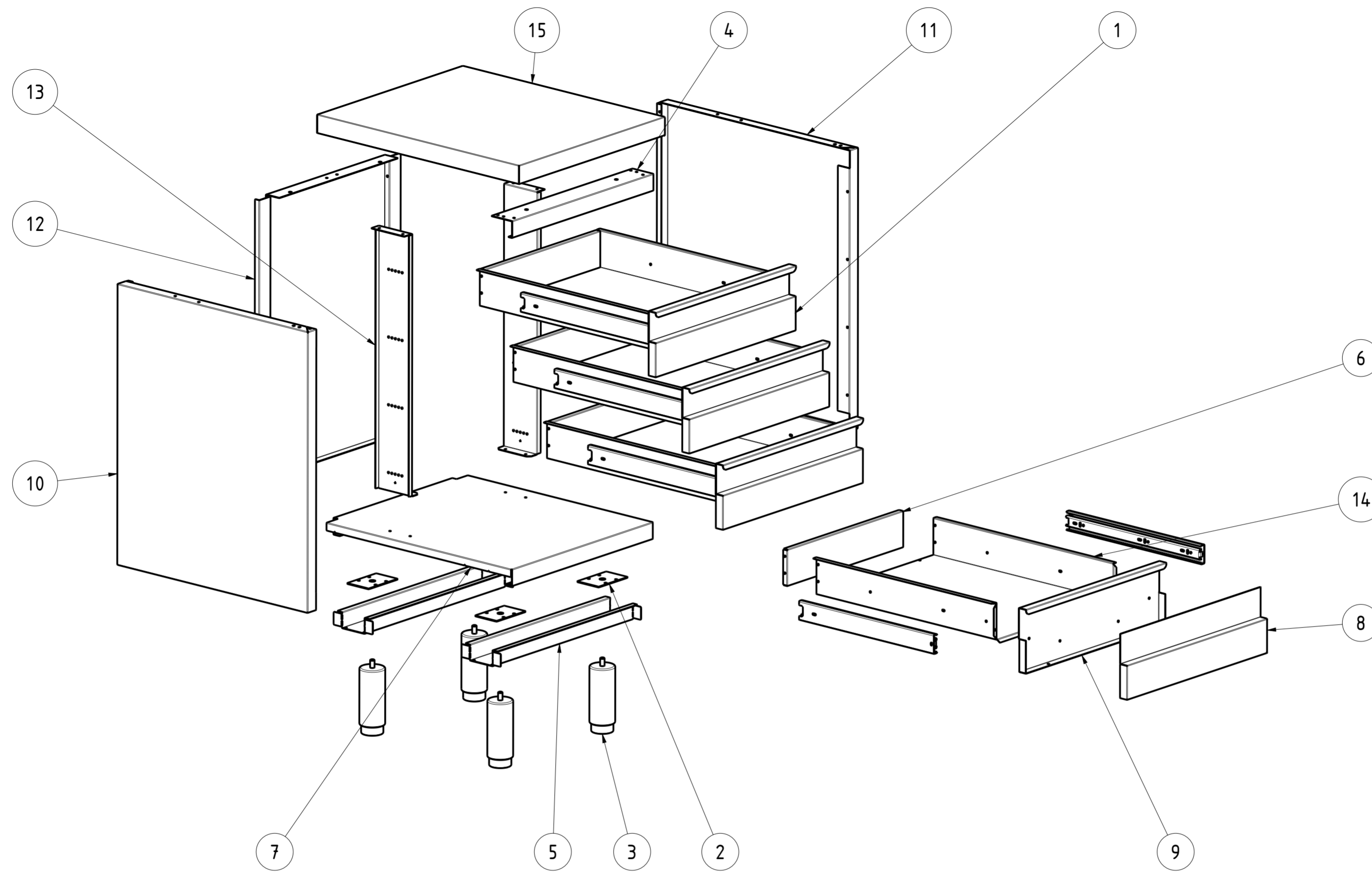


EXPLOSIONSZEICHNUNG



KBS Gastrotechnik GmbH – Schoßbergstraße 26 – 65201 Wiesbaden



15	NT3912Q	1	TOP Q 50x60	TOP Q 50x60
14	NT13740	4	VANO CASSETTO L50 P60 H15.5/16	DRAWER COMPARTMENT L50 P60 H15.5
13	NT13738	2	SUPPORTO VERTIC. GUIDE TELESCOPICHE 4 CASS H85	VERTICAL SUPPORT TELESCOPIC GUIDES 4 CASS H85
12	NT13734	1	SCHIENALE L50 H85	BACK L50 H85
11	NT13731	1	PANNELLO LATERALE DX DSCQ P60	RIGHT SIDE PANEL DSCQ P60
10	NT13723	1	PANNELLO LATERALE SX DSCQ P60	LEFT SIDE PANEL DSCQ P60
9	NT13694	4	FRONTALE INTERNO CASSETTO L50 H15.5	INTERNAL DRAWER FRONT L50 H15.5
8	NT13593	4	FRONTALE ESTERNO CASSETTO L50 H15.5	EXTERNAL DRAWER FRONT L50 H15.5
7	NT6877	1	PIANO BASE 50x60	BASE SHELF 50x60
6	NT6015	4	CHIUSURA VANO CASSETTO L50 H16	DRAWER CLOSING L50 H16
5	NT738	2	OMEGA RINFORZO PIANO BASE L50	BASE REINFORCEMENT L50
4	NT737	1	ANGOLARE L50	ANGULAR L50
3	NT391	4	PIEDINO PER TAVOLI ARMADIATI	FOOT FOR CABINET TABLES
2	NT335	4	PIASTRA RINFORZO PER GAMBA CENTRALE	PLATE CENTRAL LEG
1	DRAWER_DSCQ_50_58_15-5	4	ASS CASSETTO DSCQ L50 P60 H15.5	DRAWER ASSEMBLY DSCQ L50 P60 H15.5
ITEM NO	PART NUMBER	QTY	DESCRIPTION	

DATA DATE	MODIF. N. MODIF. NO.	DESCRIZIONE MODIFICHE MODIFICATION DESCRIPTION	DISegnATO DRAWN BY	APPROVATO APPROVED
MODELLO MODEL		MOBILE CASS RA CON 4 CASS 50x60x85 DRAWER CABINET WITH 4 DRAWERS 50x60x85	DISegno N. DRAWING NO. DSNCQ056	SCALA SCALE -
PARTICOLARE DETAIL		ESPLOSO EXPLODED VIEW	DISegnATO DRAWN BY M.PAPI	DATA DATE -
MATERIALE MATERIAL			APPROVATO APPROVED	SHEET 5 OF 5
FINITURA FINISH			PEZZI N. PIECES NO.	ULTIMA EMISS. LAST EDITION
TRATTAMENTO TREATMENT		COLORE COLOUR	SOSTITUISCE IL DIS. N. IT REPLACES DRAWING NO.	
			SOSTITUITO DAL DIS. N. REPLACED BY DRAWING NO.	
RISTOPRO PROFESSIONAL CATERING EQUIPMENT		RISTOPRO SRL FRAZ. BORGO TUFICO, 47 FABRIANO (AN) ITALY +39.732.043494 WWW.RISTOPRO.COM		 mm

QUOTE SENZA TOLLERANZA TOLERANCE UNLESS OTHERWISE STATED
 QUOTE PRIMARIA PRIMARY DIMENSION
 ELABORATO CON SISTEMA CAD DESIGNED BY CAD/STEM
 ANGOLI Angles 30°
 >500 ±0.75
 400-500 ±0.65
 315-400 ±0.60
 250-315 ±0.55
 120-180 ±0.45
 80-120 ±0.40
 50-80 ±0.35
 30-50 ±0.30
 10-18 ±0.20
 5-10 ±0.15
 0-5 ±0.10
 LUNGHEZZE E DIAM. LENGTH AND DIAM.