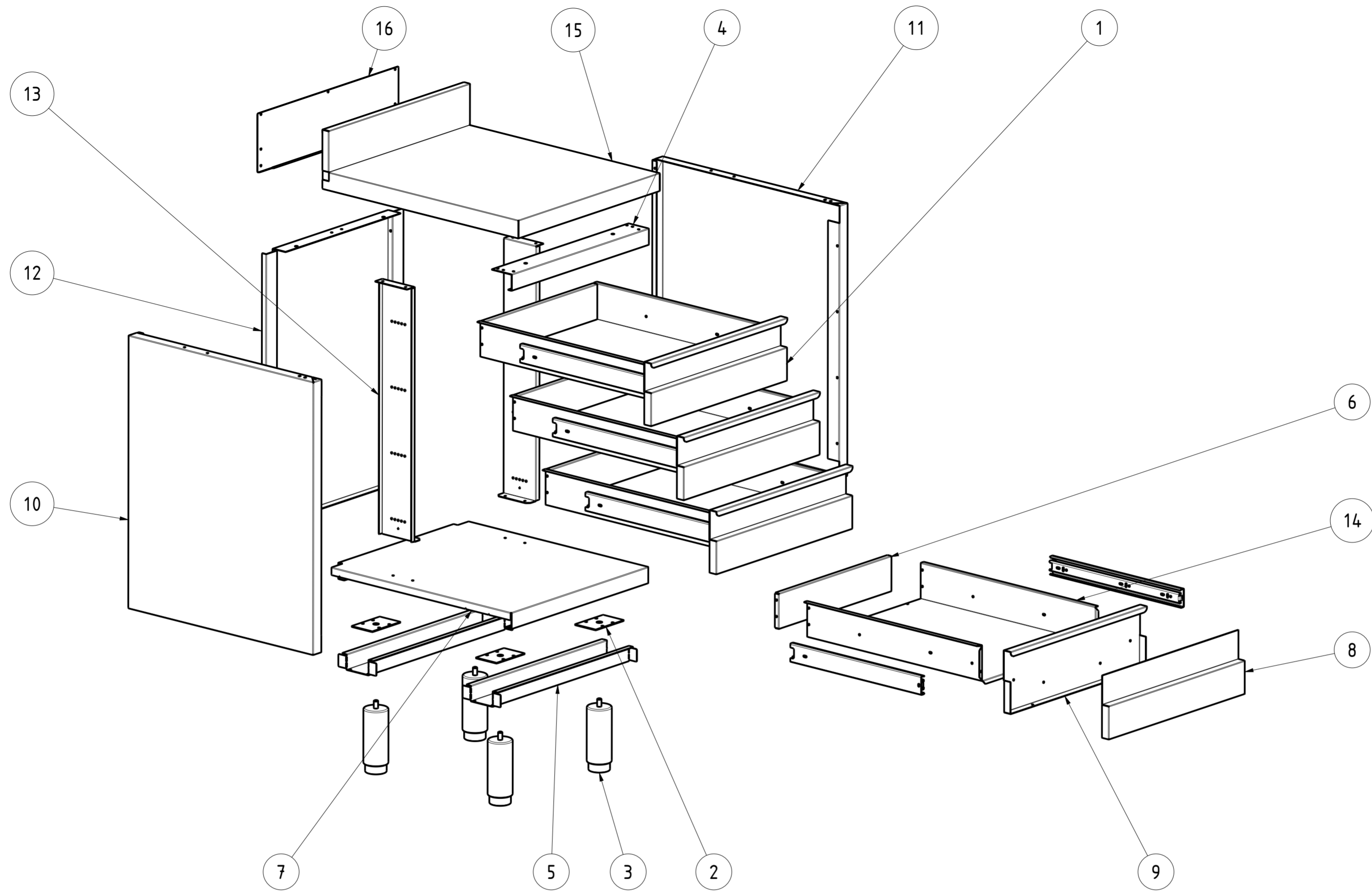


# EXPLOSIONSZEICHNUNG



KBS Gastrotechnik GmbH – Schoßbergstraße 26 – 65201 Wiesbaden



16	NT4004Q	1	CHIUSURA ALZATINA TOP Q L50	UPSTAND BACK TOP Q L50
15	NT3942Q	1	TOP Q CON ALZATINA 50x60	TOP Q UPSTAND 50x60
14	NT13740	4	VANO CASSETTO L50 P60 H15.5/16	DRAWER COMPARTMENT L50 P60 H15.5
13	NT13738	2	SUPPORTO VERTIC. GUIDE TELESCOPICHE 4 CASS H85	VERTICAL SUPPORT TELESCOPIC GUIDES 4 CASS H85
12	NT13734	1	SCHIENALE L50 H85	BACK L50 H85
11	NT13731	1	PANNELLO LATERALE DX DSCQ P60	RIGHT SIDE PANEL DSCQ P60
10	NT13723	1	PANNELLO LATERALE SX DSCQ P60	LEFT SIDE PANEL DSCQ P60
9	NT13694	4	FRONTALE INTERNO CASSETTO L50 H15.5	INTERNAL DRAWER FRONT L50 H15.5
8	NT13593	4	FRONTALE ESTERNO CASSETTO L50 H15.5	EXTERNAL DRAWER FRONT L50 H15.5
7	NT6877	1	PIANO BASE 50x60	BASE SHELF 50x60
6	NT6015	4	CHIUSURA VANO CASSETTO L50 H16	DRAWER CLOSING L50 H16
5	NT738	2	OMEGA RINFORZO PIANO BASE L50	BASE REINFORCEMENT L50
4	NT737	1	ANGOLARE L50	ANGULAR L50
3	NT391	4	PIEDINO PER TAVOLI ARMADIATI	FOOT FOR CABINET TABLES
2	NT335	4	PIASTRA RINFORZO PER GAMBA CENTRALE	PLATE CENTRAL LEG
1	DRAWER_DSCQ_50_58_15-5	4	ASS CASSETTO DSCQ L50 P60 H15.5	DRAWER ASSEMBLY DSCQ L50 P60 H15.5
ITEM NO	PART NUMBER	QTY	DESCRIPTION	

DATA DATE	MODIF. N. MODIF. NO.	DESCRIZIONE MODIFICHE MODIFICATION DESCRIPTION	DISegnATO DRAWN BY	APPROVATO APPROVED
MODELLO MODEL	MOBILE CASS RA CON 4 CASS 50x60x85 ALZ DRAWER CABINET WITH 4 DRAWERS 50x60x85 UPSTAND		DISEGNO N. DRAWING NO.	SCALA SCALE
PARTICOLARE DETAIL	ESPLOSO EXPLODED VIEW		DISEGNATO DRAWN BY	DATA DATE
MATERIALE MATERIAL	SPESS. THICK.	APPROVATO APPROVED	SHEET 5 OF 5	
FINITURA FINISH	PEZZI N. PIECES NO.	SOSTITUISCE IL DIS. N. IT REPLACES DRAWING NO.	ULTIMA EMISS. LAST EDITION	
TRATTAMENTO TREATMENT	COLORE COLOUR	SOSTITUITO DAL DIS. N. REPLACED BY DRAWING NO.		
		RISTOPRO SRL FRAZ. BORGO TUFICO, 47 FABRIANO (AN) ITALY +39.732.043494 WWW.RISTOPRO.COM		

ELABORATO CON SISTEMA CAD  
DESIGNED BY CAD/STEM

QUOTA PRIMARIA  
PRIMARY DIMENSION  
XX

ANGOLI  
Angles  
30°

>500  
±0.75

400-500  
±0.65

315-400  
±0.60

250-315  
±0.55

120-180  
±0.45

80-120  
±0.40

30-80  
±0.35

10-30  
±0.25

5-10  
±0.15

0-5  
±0.10

TOLLERANCE UNLESS OTHERWISE STATED

QUOTE SENZA TOLLERANZA

LUNGHEZZE E DIAM.  
LENGTH AND DIAM.

FORM.A-2