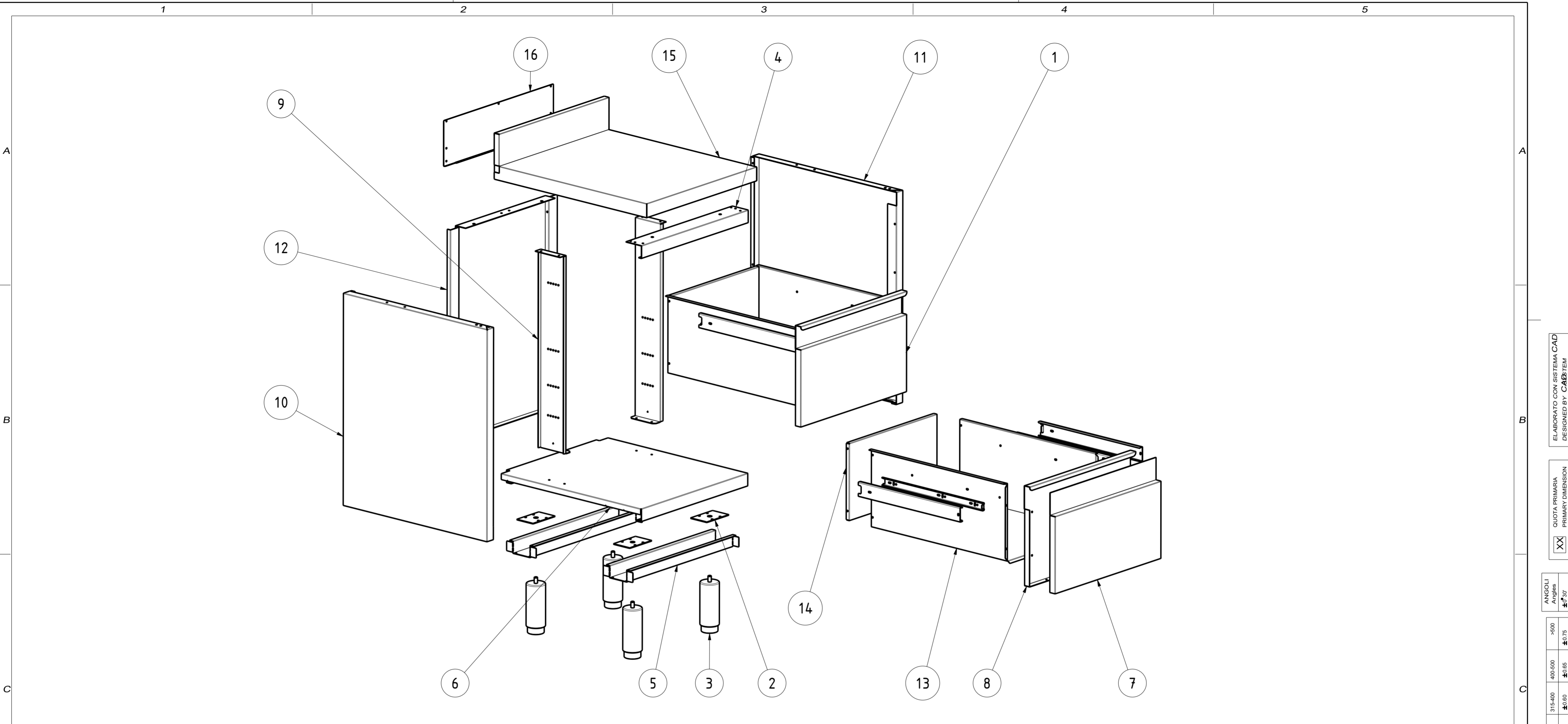


EXPLOSIONSZEICHNUNG



KBS Gastrotechnik GmbH – Schoßbergstraße 26 – 65201 Wiesbaden



16	NT4004Q	1	CHIUSURA ALZATINA TOP Q L50	UPSTAND BACK TOP Q L50
15	NT3942Q	1	TOP Q CON ALZATINA 50x60	TOP Q UPSTAND 50x60
14	NT13953	2	CHIUSURA VANO CASSETTO L50 H31.2	DRAWER CLOSING L50 H31.2
13	NT13950	2	VANO CASSETTO L50 P60 H31.2	DRAWER COMPARTMENT L50 P60 H31.2
12	NT13734	1	SCHIENALE L50 H85	BACK L50 H85
11	NT13687	1	PANNELLO LATERALE DX DSCD P60	RIGHT SIDE PANEL DSCD P60
10	NT13685	1	PANNELLO LATERALE SX DSCD P60	LEFT SIDE PANEL DSCD P60
9	NT13684	2	SUPPORTO VERTIC. GUIDE TELESCOPICHE 2 CASS H85	VERTICAL SUPPORT TELESCOPIC GUIDES 2 DRAW H85
8	NT13683	2	FRONTALE INTERNO CASSETTO L50 H31.2	INTERNAL DRAWER FRONT L50 H31.2
7	NT13588	2	FRONTALE ESTERNO CASSETTO L50 H31.2	EXTERNAL DRAWER FRONT L50 H31.2
6	NT2259	1	PIANO BASE 50x60	BASE SHELF 50x60
5	NT738	2	OMEGA RINFORZO PIANO BASE L50	BASE REINFORCEMENT L50
4	NT737	1	ANGOLARE L50	ANGULAR L50
3	NT391	4	PIEDINO PER TAVOLI ARMADIATI	FOOT FOR CABINET TABLES
2	NT335	4	PIASTRA RINFORZO PER GAMBA CENTRALE	PLATE CENTRAL LEG
1	DRAWER_DSCD_50_58_31-2	2	ASS CASSETTO DSCD L50 P60 H31.2	DRAWER ASSEMBLY DSCD L50 P60 H31.2
ITEM NO	PART NUMBER	QTY	DESCRIPTION	

DATA DATE	MODIF. N. MODIF. NO.	DESCRIZIONE MODIFICHE MODIFICATION DESCRIPTION	DISegnATO DRAWN BY	APPROVATO APPROVED
MODELLO MODEL	MOBILE CASS RA CON 2 CASS 50x60x85 ALZ DRAWER CABINET WITH 2 DRAWERS 50x60x85 UPSTAND		DISEGNO N. DRAWING NO.	SCALA SCALE
PARTICOLARE DETAIL	ESPLOSO EXPLODED VIEW		DISEGNATO DRAWN BY	DATA DATE
MATERIALE MATERIAL	SPES. THICK.	APPROVATO APPROVED	SHEET 5 OF 5	
FINITURA FINISH	PEZZI N. PIECES NO.	SOSTITUISCE IL DIS. N. IT REPLACES DRAWING NO.	ULTIMA EMISS. LAST EDITION	
TRATTAMENTO TREATMENT	COLORE COLOUR	SOSTITUITO DAL DIS. N. REPLACED BY DRAWING NO.		
		RISTOPRO SRL FRAZ. BORGO TUFICO, 47 FABRIANO (AN) ITALY +39.732.043494 WWW.RISTOPRO.COM		

TOLLERANZA UNLESS OTHERWISE STATED
 QUOTE SENZA TOLLERANZA
 TOLERANCE UNLESS OTHERWISE STATED
 QUOTE WITHOUT TOLERANCE
 ELABORATO CON SISTEMA CAD DESIGNED BY CAD/STEM
 QUOTA PRIMARIA PRIMARY DIMENSION
 XX
 ANGOLI Angles
 >500 ±0.75
 400-500 ±0.65
 315-400 ±0.60
 250-315 ±0.55
 120-180 ±0.45
 80-120 ±0.40
 50-80 ±0.35
 30-50 ±0.30
 10-18 ±0.25
 5-10 ±0.15
 0-5 ±0.10
 LUNGHEZZE E DIAM. LENGTH AND DIAM.
 FORM.A-2