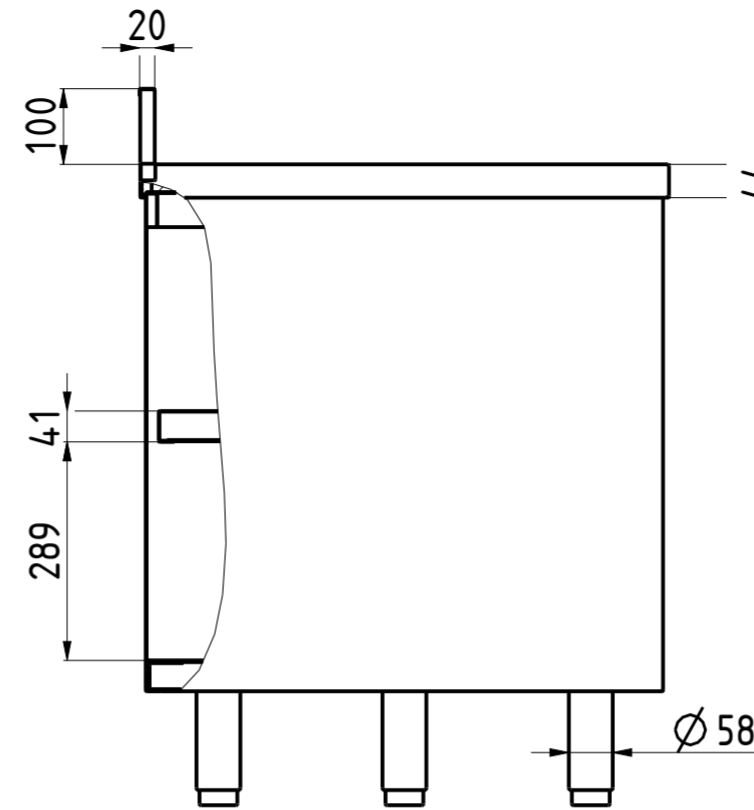
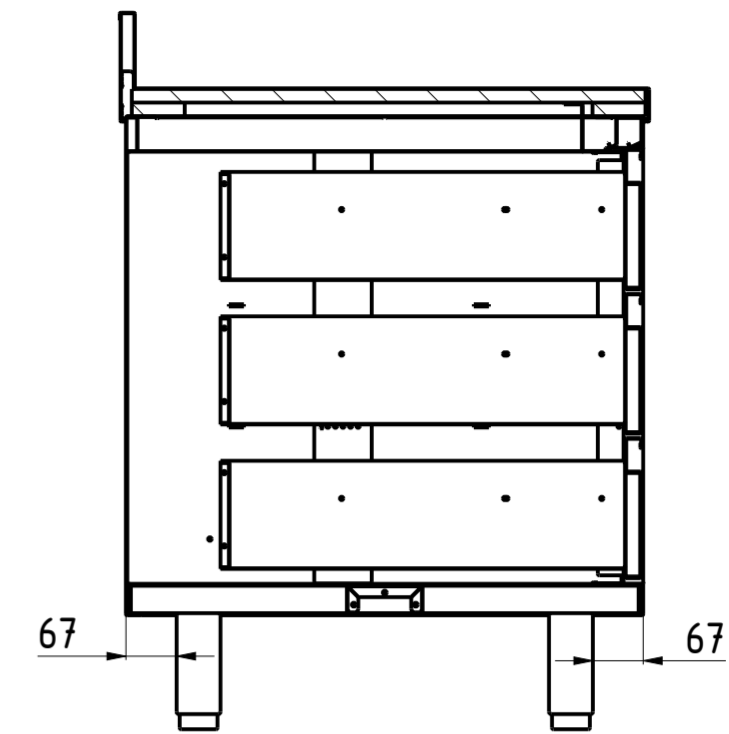


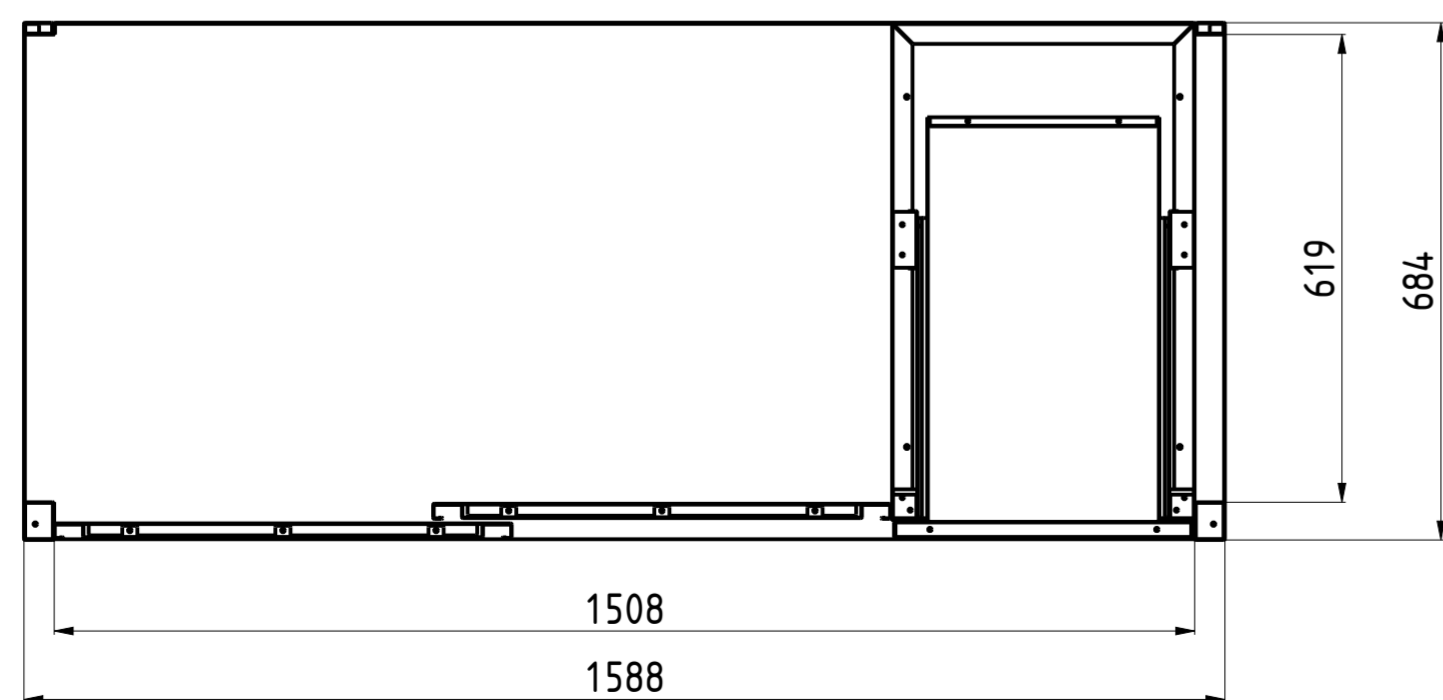
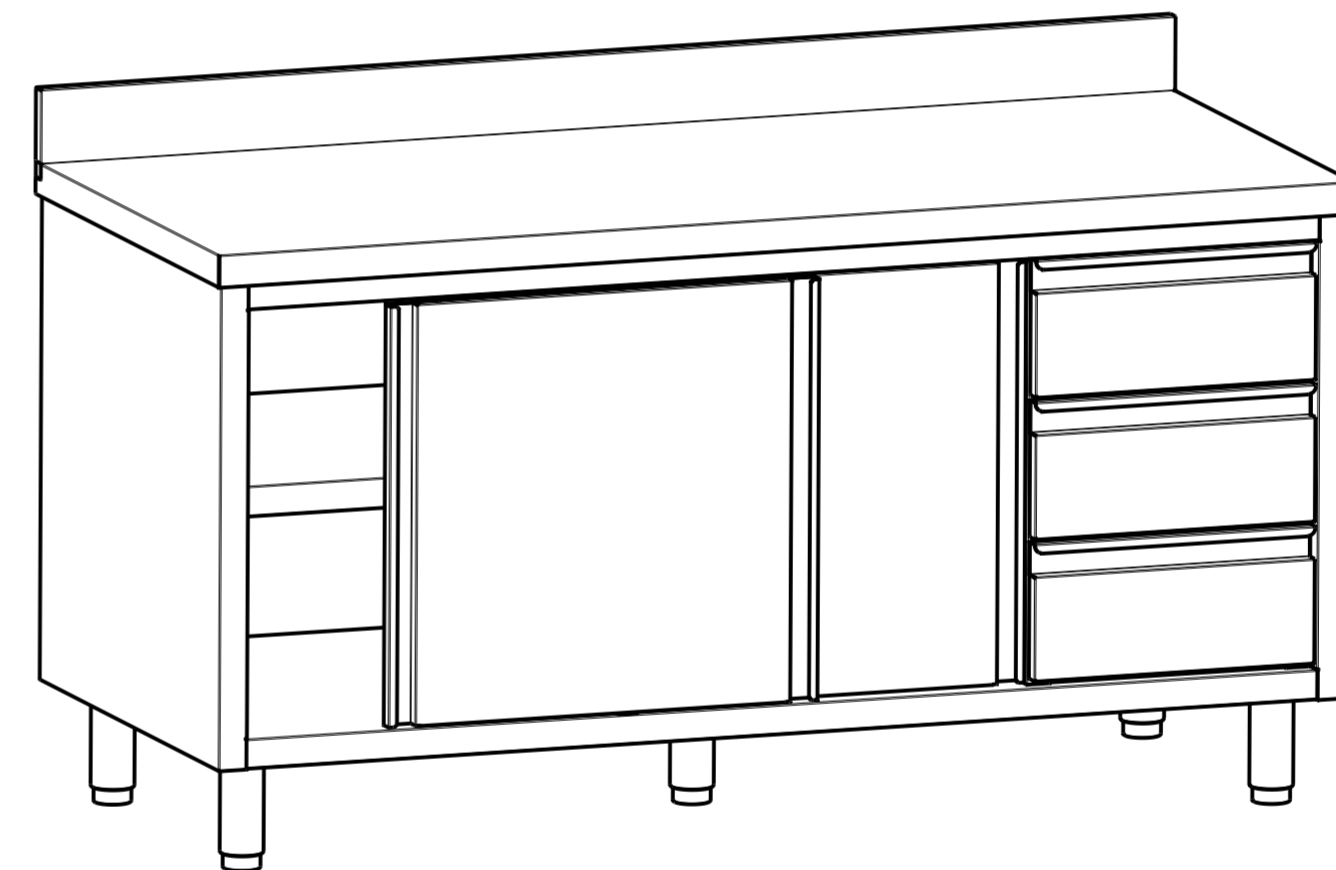
FRONT VIEW C-C 1:10



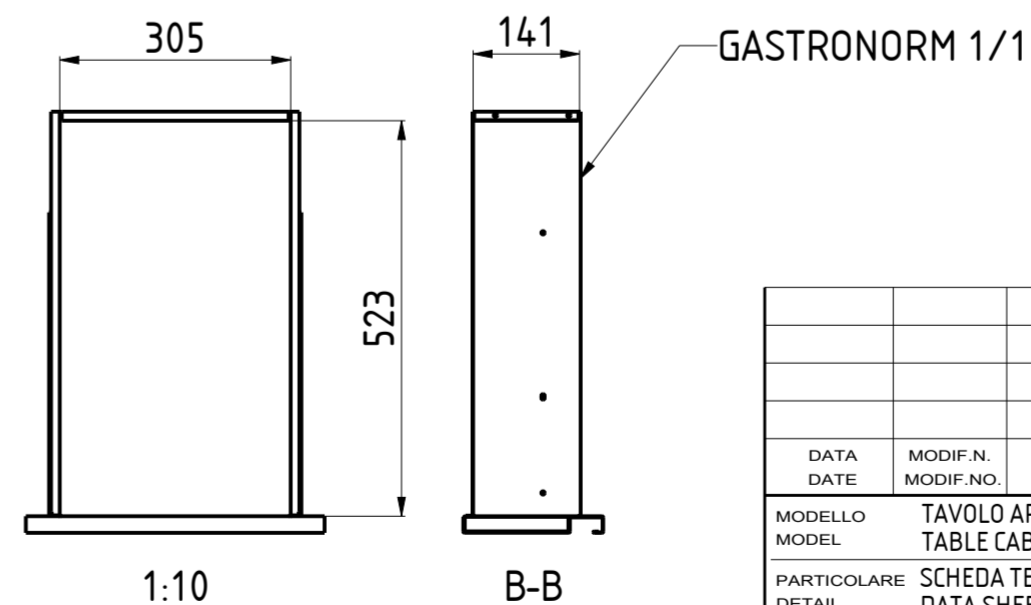
A-A



E-E



INTERNAL DIM D-D



GASTRONORM 1/1

DATA DATE	MODIF. N. MODIF. NO.	DESCRIZIONE MODIFICHE MODIFICATION DESCRIPTION	DISegnATO DRAWN BY	APPROVATO APPROVED
MODELLO MODEL	TAVOLO ARMADIATO 3 CASSETTI DX 160x70 ALZATINA TABLE CABINET 3 DRAWERS RIGHT 160x70 UPSTAND		DISegno N. DRAWING NO.	SCALA SCALE
PARTICOLARE DETAIL	SCHEDA TECNICA DATA SHEET		DISegnATO DRAWN BY	DATA DATE
MATERIALE MATERIAL	AISI 304 - AISI 430	SPESSE THICK. -	APPROVATO APPROVED	SHEET 3 OF 5
FINITURA FINISH		PEZZI N. PIECES NO.	SOSTITUISCE IL DIS. N. IT REPLACES DRAWING NO.	ULTIMA EMISS. LAST EDITION
TRATTAMENTO TREATMENT		COLORE COLOUR	SOSTITUITO DAL DIS. N. REPLACED BY DRAWING NO.	
RISTOPRO PROFESSIONAL CATERING EQUIPMENT			RISTOPRO SRL FRAZ. BORGO TUFICO, 47 FABRIANO (AN) ITALY +39.732.043494 WWW.RISTOPRO.COM	

ELABORATO CON SISTEMA CAD
DESIGNED BY CADSTEM

QUOTA PRIMARIA
PRIMARY DIMENSION
XX

ANGOLI
Angles
30°

TOLLERANZA UNLESS OTHERWISE STATED	QUOTE SENZA TOLLERANZA
>500	±0.75
400-500	±0.65
315-400	±0.60
250-315	±0.55
180-250	±0.50
120-180	±0.45
80-120	±0.40
50-80	±0.35
30-50	±0.30
18-30	±0.25
10-18	±0.20
5-10	±0.15
0-5	±0.10

LUNGH. E DIAM.
LENGTH AND DIAM.
mm

FORM.A-2