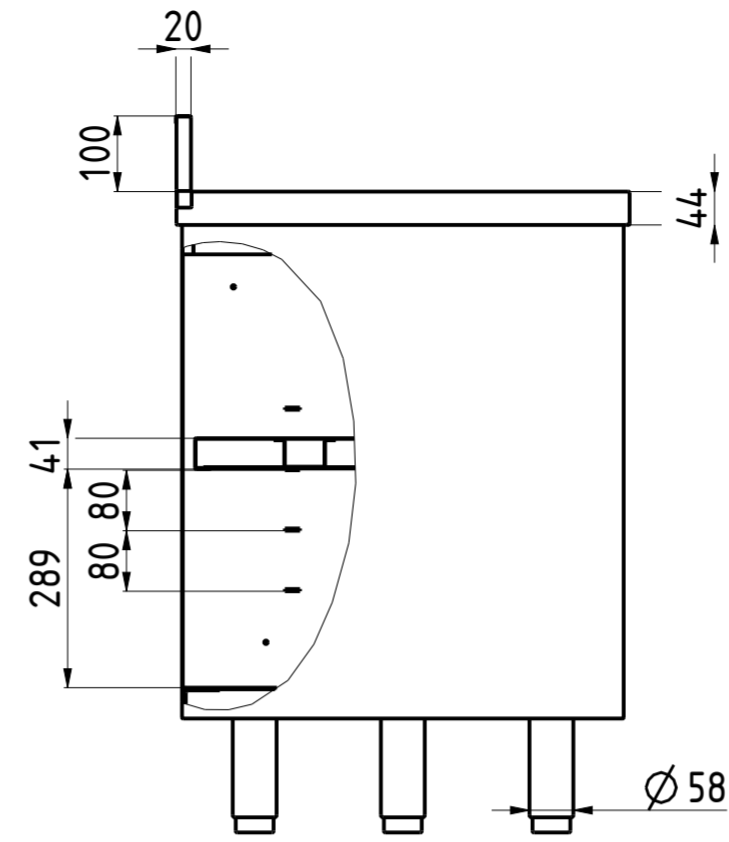
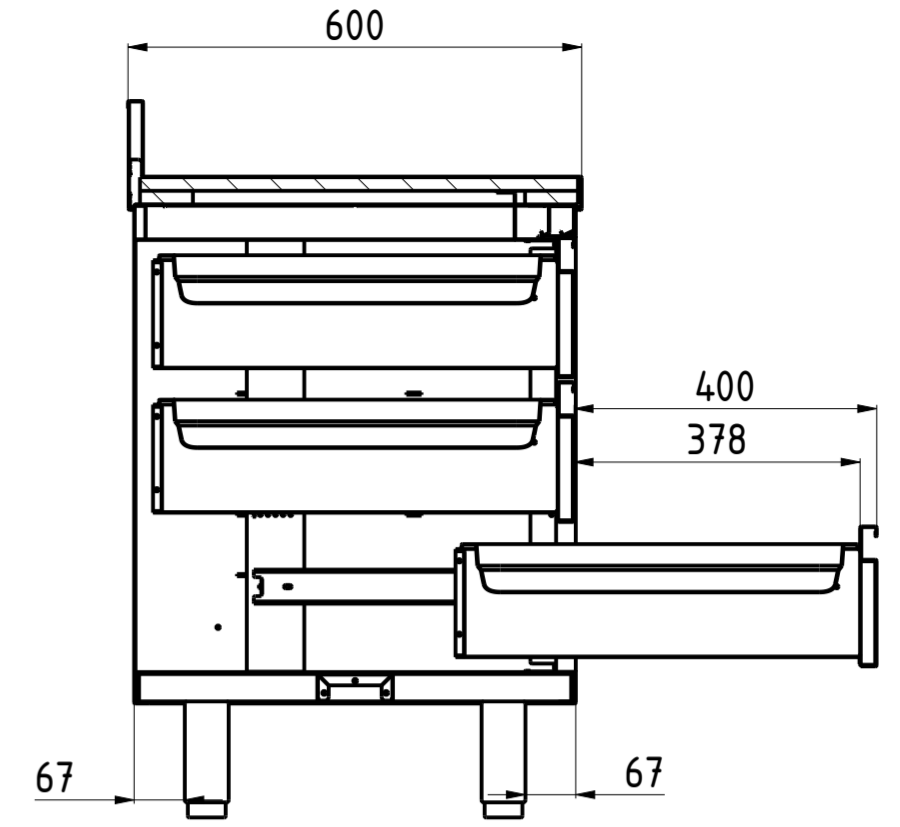


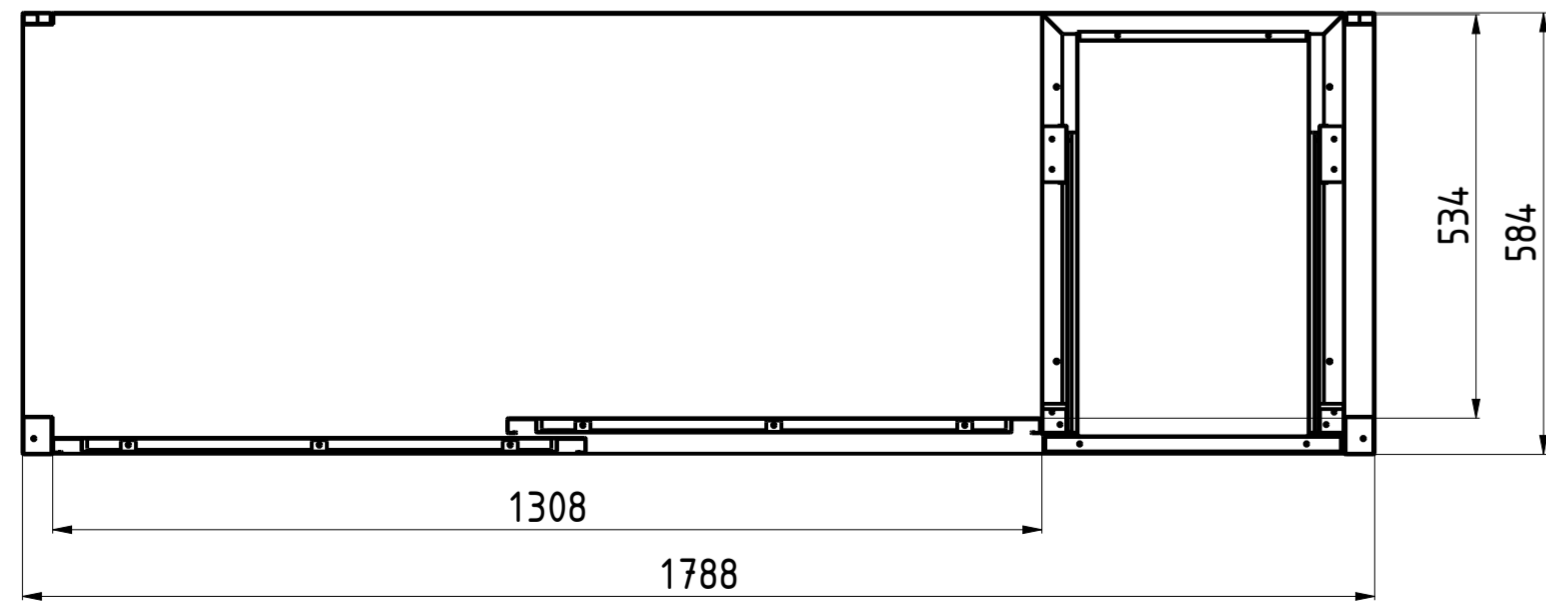
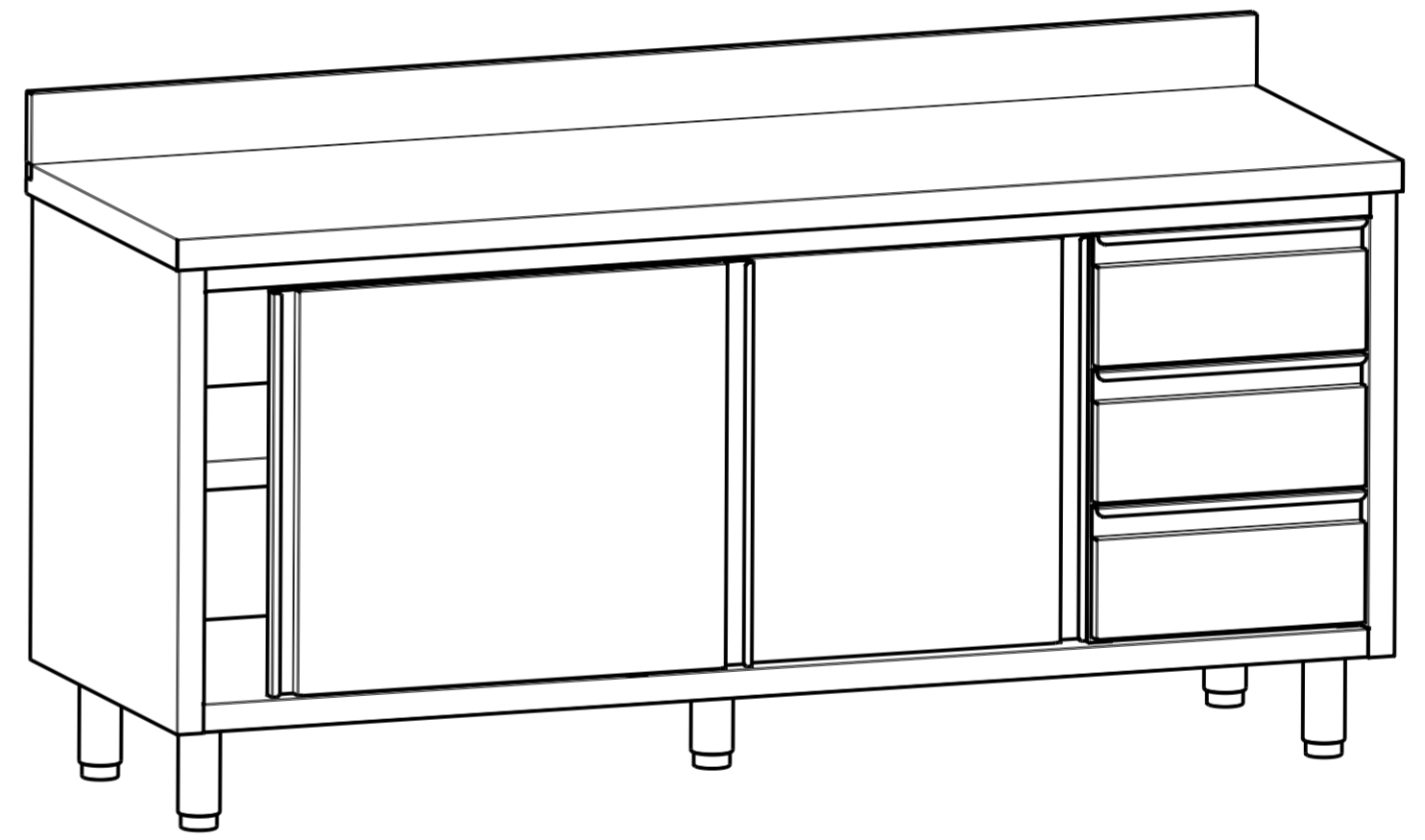
FRONT VIEW 1:10



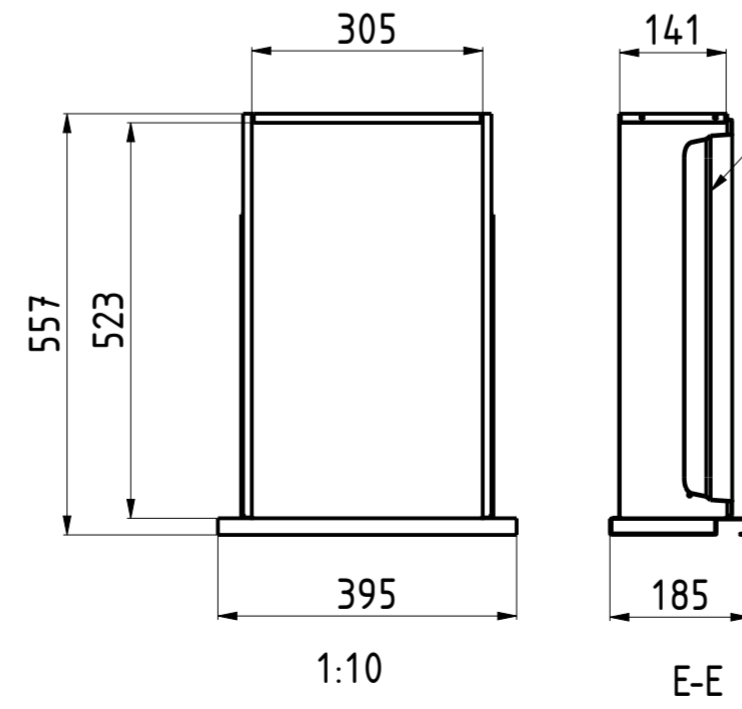
A-A



E-E



INTERNAL DIM
D-D

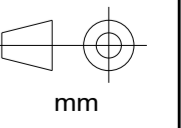


GASTRONORM 1/1

DATA DATE	MODIF. N. MODIF. NO.	DESCRIZIONE MODIFICHE MODIFICATION DESCRIPTION	DISegnATO DRAWN BY	APPROVATO APPROVED
MODELLO MODEL	TAVOLO ARMADIATO 3 CASSETTI DX 180x60 ALZATINA TABLE CABINET 3 DRAWERS RIGHT 180x60 UPSTAND		DISEGNO N. DRAWING NO.	SCALA SCALE
PARTICOLARE DETAIL	SCHEDA TECNICA DATA SHEET		DISEGNATO DRAWN BY	DATA DATE
MATERIALE MATERIAL	AISI 304 - AISI 430	SPESSE THICK.	APPROVATO APPROVED	SHEET 2 OF 4
FINITURA FINISH		PEZZI N. PIECES NO.	SOSTITUISCE IL DIS. N. IT REPLACES DRAWING NO.	ULTIMA EMISS. LAST EDITION
TRATTAMENTO TREATMENT		COLORE COLOUR	SOSTITUITO DAL DIS. N. REPLACED BY DRAWING NO.	

RISTOPRO
PROFESSIONAL CATERING EQUIPMENT

RISTOPRO SRL
FRAZ. BORGO TUFICO, 47 FABRIANO (AN)
ITALY +39.732.043494
WWW.RISTOPRO.COM



FORM.A-2

ELABORATO CON SISTEMA CAD
DESIGNED BY CADSTEM
 QUOTA PRIMARIA
PRIMARY DIMENSION
 ANGOLI
Angles
 >500 ±0.75
 400-500 ±0.65
 315-400 ±0.60
 250-315 ±0.55
 180-250 ±0.50
 120-180 ±0.45
 80-120 ±0.40
 50-80 ±0.35
 30-50 ±0.30
 18-30 ±0.25
 10-18 ±0.20
 5-10 ±0.15
 0-5 ±0.10
 LUNGHEZZE E DIAMETRI
LENGTH AND DIAM.
 TOLLERANZA UNLESS OTHERWISE STATED
 QUOTE SENZA TOLLERANZA
 mm