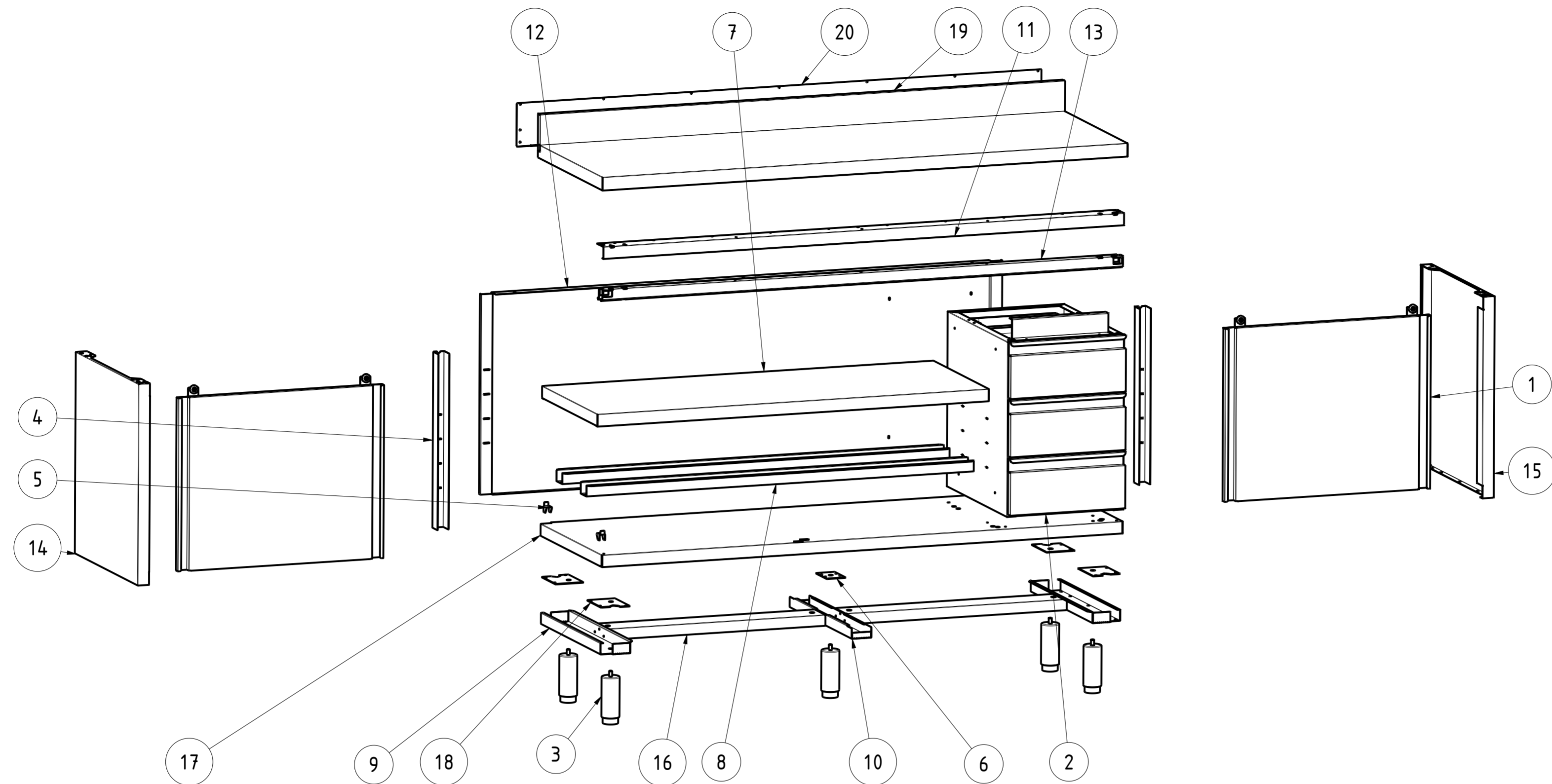


EXPLOSIONSZEICHNUNG



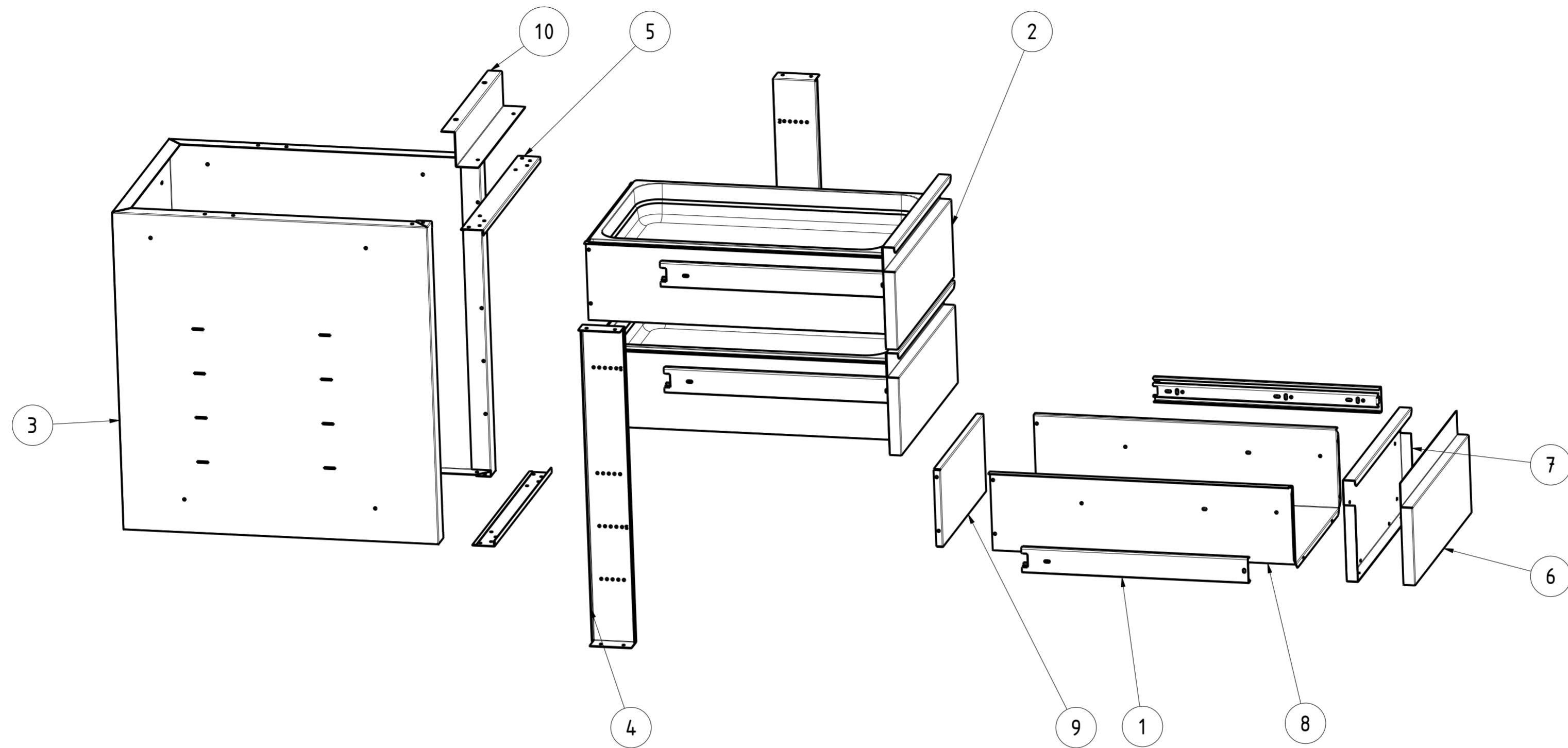
KBS Gastrotechnik GmbH – Schoßbergstraße 26 – 65201 Wiesbaden



| | | | | |
|---------|-----------------|-----|---|---|
| 20 | NT4016Q | 1 | CHIUSURA ALZATINA TOP Q L180 | UPSTAND BACK TOP Q L180 |
| 19 | NT3954Q | 1 | TOP Q CON ALZATINA 180x60 | TOP Q UPSTAND 180x60 |
| 18 | NT4144 | 4 | PIASTRA RIV PIEDINO PORTA BATTENTE | PLATE EXTERNAL LEG HINGED DOOR |
| 17 | NT4091 | 1 | PIANO BASE 3CD 180x60 | BASE SHELF 180x60 |
| 16 | NT4062 | 2 | OMEGA LONGITUDINALE (DIV.2) L180 | LONGITUDINAL OMEGA L180 |
| 15 | NT4045 | 1 | PANNELLO LATERALE DX P60 H85 | RIGHT SIDE PANEL P60 H85 |
| 14 | NT4042 | 1 | PANNELLO LATERALE SX P60 H85 | LEFT SIDE PANEL P60 H85 |
| 13 | NT3772 | 1 | BINARIO TAVOLI ARMADIATI L180 CASS.RA DX | BINARY L180 RIGHT DRAWER |
| 12 | NT3758 | 1 | SCHIENALE 3CD L190 H85 | BACK L190 H85 |
| 11 | NT3596 | 1 | ANGOLARE SUPP. BINARIO L180 | ANGULAR BINARY SUPPORT L180 |
| 10 | NT2353 | 1 | OMEGA CENTR RIV. PIANO BASE P60 | CENTRAL OMEGA BASE SHELF P60 |
| 9 | NT2351 | 2 | OMEGA LATERALE PIANO BASE P60 | LATERAL OMEGA BASE SHELF P60 |
| 8 | NT430 | 2 | OMEGA RINFORZO PIANO INTERNO CASS. VERT. L180 | OMEGA SHELF RENINFORCEMENT L180 |
| 7 | NT418 | 1 | PIANO INTERNO REGOLABILE 3CD/3CS 180x60 | INTERNAL ADJUSTABLE SHELF 3CD/3CS 180x60 |
| 6 | NT335 | 1 | PIASTRA RINFORZO PER GAMBA CENTRALE | PLATE CENTRAL LEG |
| 5 | NT330 | 2 | STAFFA SUPPORTO RIPIANO INTERNO | GANCRIIP - INTERNAL SHELF SUPPORT BRACKET |
| 4 | NT101 | 2 | MONTANTE ASOLATO PER LATERALI H85 | SLOTTED UPRIGHT H85 |
| 3 | DSPIEDTA | 5 | PIEDINO PER TAVOLI ARMADIATI | FOOT FOR CABINET TABLES |
| 2 | DSC3CH_40-58-57 | 1 | ASSIEME CASS.RA (DSTA) L40 P60 H57 (3 CASS) | DRAWER ASS. (DSTA) L40 P60 H57 (3 DRAW.) |
| 1 | APS_L140_H85 | 2 | ASSIEME PORTE SCORREVOLI L140 H85 | SLIDING DOORS ASSEMBLY L140 H85 |
| ITEM NO | PART NUMBER | QTY | DESCRIPTION | |

| DATA DATE | MODIF. N. MODIF. NO. | DESCRIZIONE MODIFICHE MODIFICATION DESCRIPTION | DISegnATO DRAWN BY | APPROVATO APPROVED |
|-----------------------|---|--|--|--|
| | | | | |
| MODELLO MODEL | TAVOLO ARMADIATO 3 CASSETTI DX 180x60 ALZATINA TABLE CABINET 3 DRAWERS RIGHT 180x60 UPSTAND | | DISegNO N. DRAWING NO. | DSTA3CD186A |
| PARTICOLARE DETAIL | ESPLOSO EXPLODED VIEW | | DISegNATO DRAWN BY | M.PAPI |
| MATERIALE MATERIAL | AISI 304 - AISI 430 | SPES.S. THICK. | - | APPROVATO APPROVED |
| FINITURA FINISH | | PEZZI N. PIECES NO. | | SOSTITUISCE IL DIS. N. IT REPLACES DRAWING NO. |
| TRATTAMENTO TREATMENT | | COLORE COLOUR | | SOSTITUITO DAL DIS. N. REPLACED BY DRAWING NO. |
| | | | RISTOPRO SRL FRAZ. BORGO TUFICO, 47 FABRIANO (AN) ITALY +39.732.043494 WWW.RISTOPRO.COM | |
| | | | | |
| | | | mm | |

QUOTE SENZA TOLLERANZA TOLLERANCE UNLESS OTHERWISE STATED
 QUOTA PRIMARIA ELABORATO CON SISTEMA CAD DESIGNED BY CAD/STEM
 QUOTA PRIMARIA PRIMARY DIMENSION
 XX
 ANGOLI Angles
 >500 ±0.75
 400-500 ±0.65
 315-400 ±0.60
 250-315 ±0.55
 180-250 ±0.50
 120-180 ±0.45
 80-120 ±0.40
 50-80 ±0.35
 30-50 ±0.30
 18-30 ±0.25
 10-18 ±0.20
 5-10 ±0.15
 0-5 ±0.10
 LUNGHEZZE E DIAM. LENGTH AND DIAM.
 FORM.A-2



| | | | | |
|---------|---------------------------|-----|-------------------------------------|---------------------------------------|
| 10 | NT3774 | 1 | STAFFA STABILIZ. CASSETTIERA L40 | DRAWER STABILIZER BRACKET L40 |
| 9 | NT360 | 3 | CHIUSURA VANO CASSETTO L40 H18.5 | DRAWER CLOSING L40 H18.5 |
| 8 | NT359 | 3 | VANO CASSETTO L40 P60 H18.5 | DRAWER COMPARTMENT L40 P60 H18.5 |
| 7 | NT358 | 3 | FRONTALE INTERNO CASSETTO L40 H18.5 | INTERNAL DRAWER FRONT L40 H18.5 |
| 6 | NT357 | 3 | FRONTALE ESTERNO CASSETTO L40 H18.5 | EXTERNAL DRAWER FRONT L40 H18.5 |
| 5 | NT355 | 2 | ANGOLARE CASSONE SUPERIORE L40 | CORNER UPPER BOX CONNECTION L40 |
| 4 | NT354 | 2 | SUPPORTO VERTIC. GUIDE TELESCOPICHE | VERTICAL SUPPORT TELESCOPIC GUIDE |
| 3 | NT352 | 1 | CASSONE CASSETTIERA L40 P60 | EXTERNAL BOX DRAWERS L40 P60 |
| 2 | DRAWER_DSTA_3C_40_58_18-5 | 3 | ASS CASSETTO DSTA 3C L40 P60 H18.5 | DRAWER ASSEMBLY DSTA 3C L40 P60 H18.5 |
| 1 | ASS_GUIDA_CASSETTO | 6 | GUIDA PER CASSETTO | GUIDE FOR DRAWER |
| ITEM NO | PART NUMBER | QTY | DESCRIPTION | |

| DATA DATE | MODIF. N. MODIF. NO. | DESCRIZIONE MODIFICHE MODIFICATION DESCRIPTION | DISegnATO DRAWN BY | APPROVATO APPROVED |
|-----------------------|---|--|--|----------------------------|
| | | | | |
| MODELLO MODEL | ASSIEME CASS. RA (DSTA) L40 P60 H57 (3 CASS) DRAWER ASS. (DSTA) L40 P60 H57 (3 DRAW.) | | DISEGNO N. DRAWING NO. DSC3CH_40-58-57 | SCALA SCALE - |
| PARTICOLARE DETAIL | ESPLOSO EXPLODED VIEW | | DISEGNATO DRAWN BY M.PAPI | DATA DATE - |
| MATERIALE MATERIAL | AISI 304 - AISI 430 | SPESS. THICK. - | APPROVATO APPROVED | SHEET 4 OF 4 |
| FINITURA FINISH | | PEZZI N. PIECES NO. | SOSTITUISCE IL DIS. N. IT REPLACES DRAWING NO. | ULTIMA EMISS. LAST EDITION |
| TRATTAMENTO TREATMENT | | COLORE COLOUR | SOSTITUITO DAL DIS. N. REPLACED BY DRAWING NO. | |
| | | RISTOPRO SRL FRAZ. BORGO TUFICO, 47 FABRIANO (AN) ITALY +39.732.043494 WWW.RISTOPRO.COM | | mm |

ELABORATO CON SISTEMA CAD
DESIGNED BY CAD\$TEM

QUOTA PRIMARIA
PRIMARY DIMENSION
XX

ANGOLI
Angles
30°

| TOLLERANZA UNLESS OTHERWISE STATED | 30-50 | 50-80 | 80-120 | 120-180 | 180-250 | 250-315 | 315-400 | 400-500 | >500 |
|------------------------------------|-------|-------|--------|---------|---------|---------|---------|---------|-------|
| ±0.25 | ±0.30 | ±0.35 | ±0.40 | ±0.45 | ±0.50 | ±0.55 | ±0.60 | ±0.65 | ±0.75 |

QUOTE SENZA TOLLERANZA

LUNGH. E DIAM.
LENGHT AND DIAM.
mm