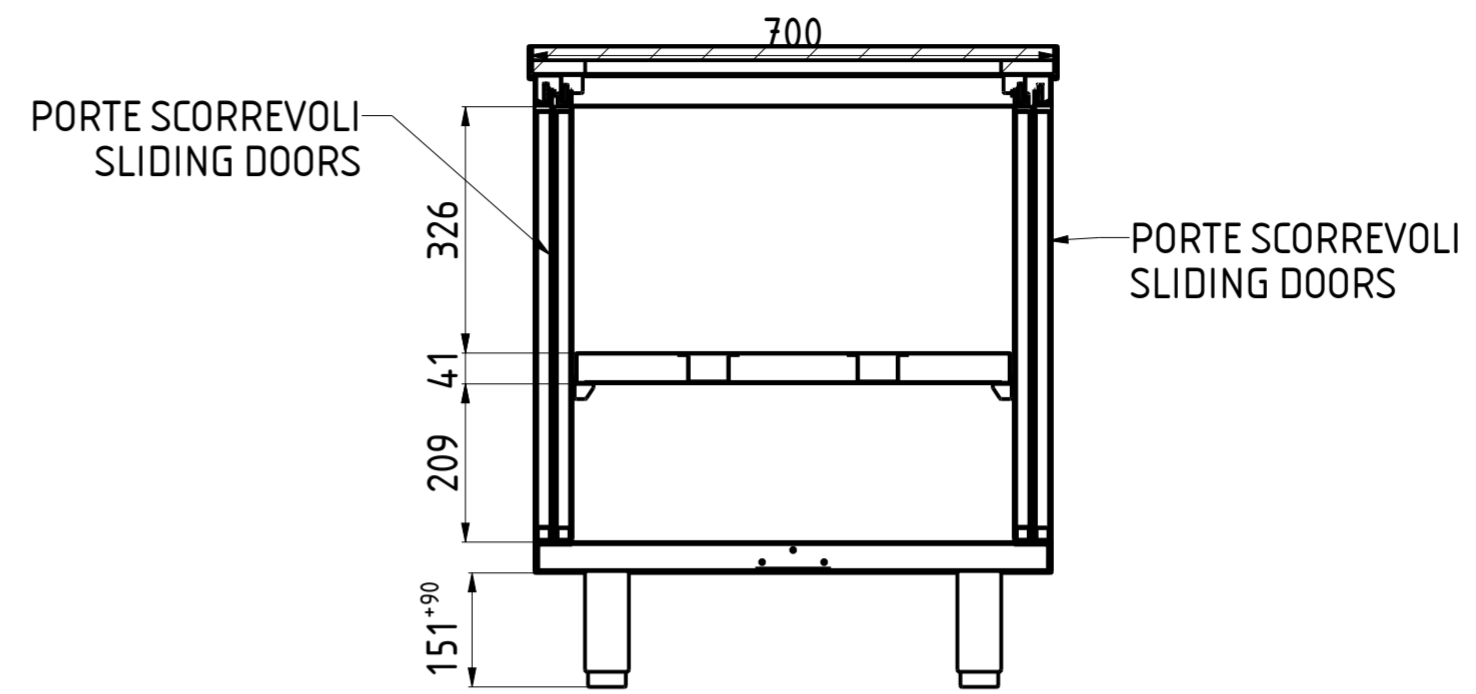
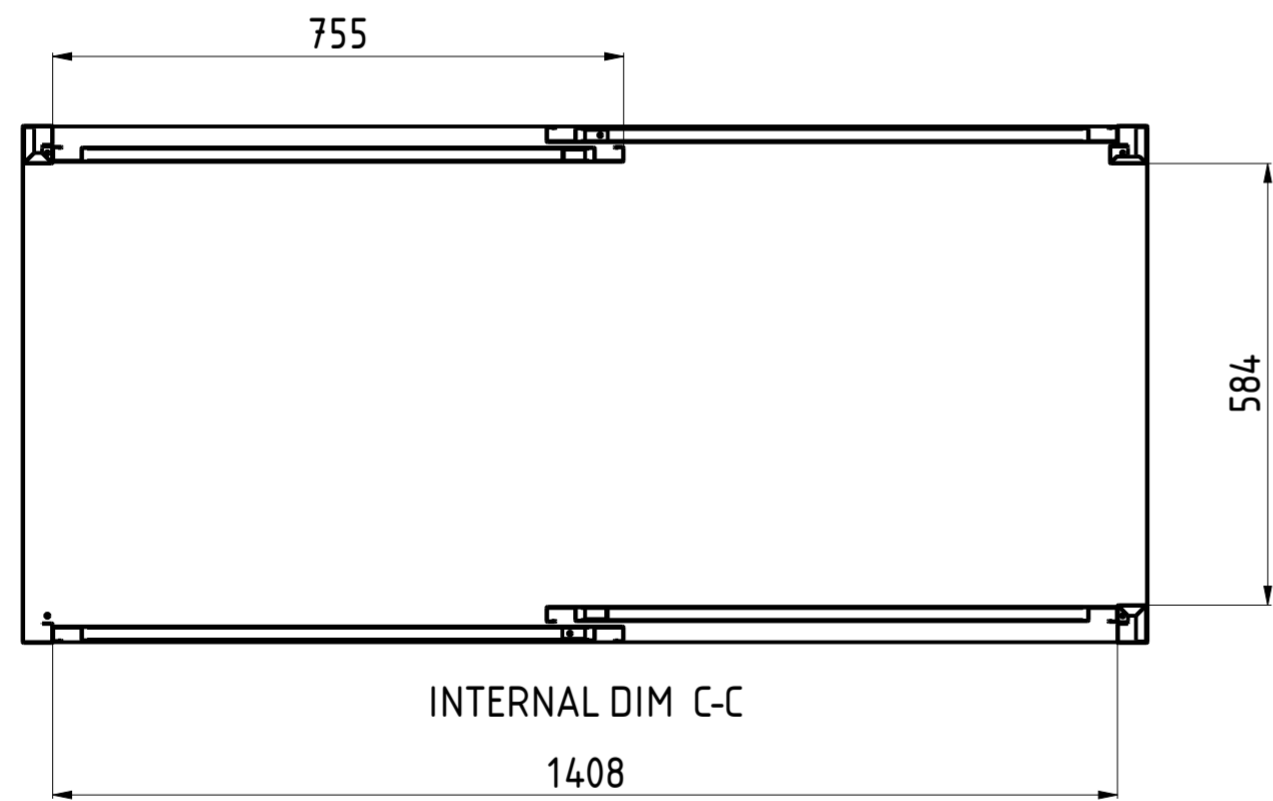


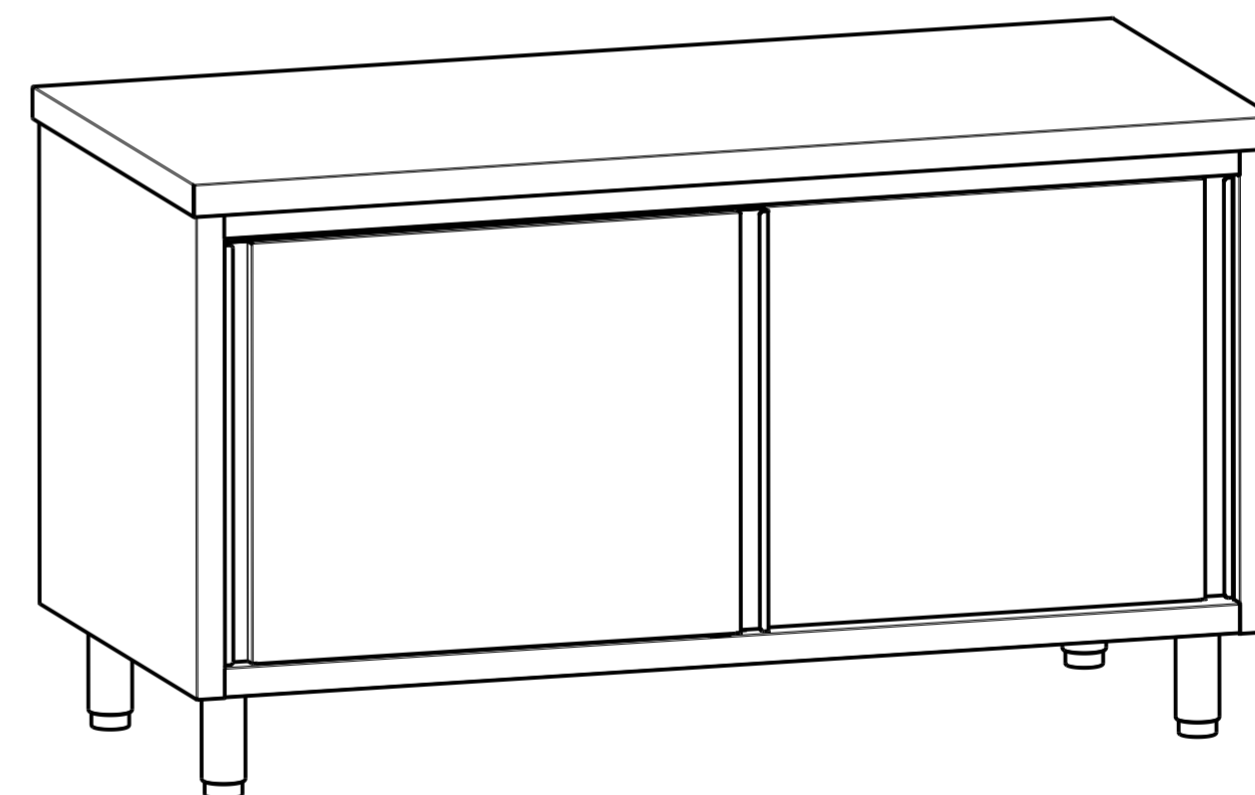
FRONT VIEW B-B 1:10



A-A



INTERNAL DIM C-C



3D VIEW 1:10

DATA DATE	MODIF. N. MODIF. NO.	DESCRIZIONE MODIFICHE MODIFICATION DESCRIPTION	DISEGNATO DRAWN BY	APPROVATO APPROVED
-	-	-	-	-
MODELLO MODEL	TAVOLO PASSANTE 150x70 OPEN TABLE SLIDING DOORS 150x70		DISEGNO N. DRAWING NO. DSTAP157	SCALA SCALE -
PARTICOLARE DETAIL	SCHEDA TECNICA DATA SHEET		DISEGNATO DRAWN BY M.PAPI	DATA DATE -
MATERIALE MATERIAL	SPESS. THICK.	APPROVATO APPROVED	SHEET 1 OF 1	
FINITURA FINISH	PEZZI N. PIECES NO.	SOSTITUISCE IL DIS. N. IT REPLACES DRAWING NO.	ULTIMA EMISS. LAST EDITION	
TRATTAMENTO TREATMENT	COLORE COLOUR	SOSTITUITO DAL DIS. N. REPLACED BY DRAWING NO.		
		RISTOPRO SRL FRAZ. BORGO TUFICO, 47 FABRIANO (AN) ITALY +39.732.043494 WWW.RISTOPRO.COM		

ELABORATO CON SISTEMA CAD DESIGNED BY CAD/STEM  
 QUOTA PRIMARIA PRIMARY DIMENSION XX  
 ANGOLI Angles 30° ±0.30°  
 TOLLERANCE UNLESS OTHERWISE STATED  
 QUOTE SENZA TOLLERANZA  
 >500 ±0.75  
 400-500 ±0.65  
 315-400 ±0.60  
 250-315 ±0.55  
 180-250 ±0.50  
 120-180 ±0.45  
 80-120 ±0.40  
 50-80 ±0.35  
 30-50 ±0.30  
 18-30 ±0.25  
 10-18 ±0.20  
 5-10 ±0.15  
 0-5 ±0.10  
 LUNGH. E DIAM. LENGTH AND DIAM. mm  
 FORM.A-2