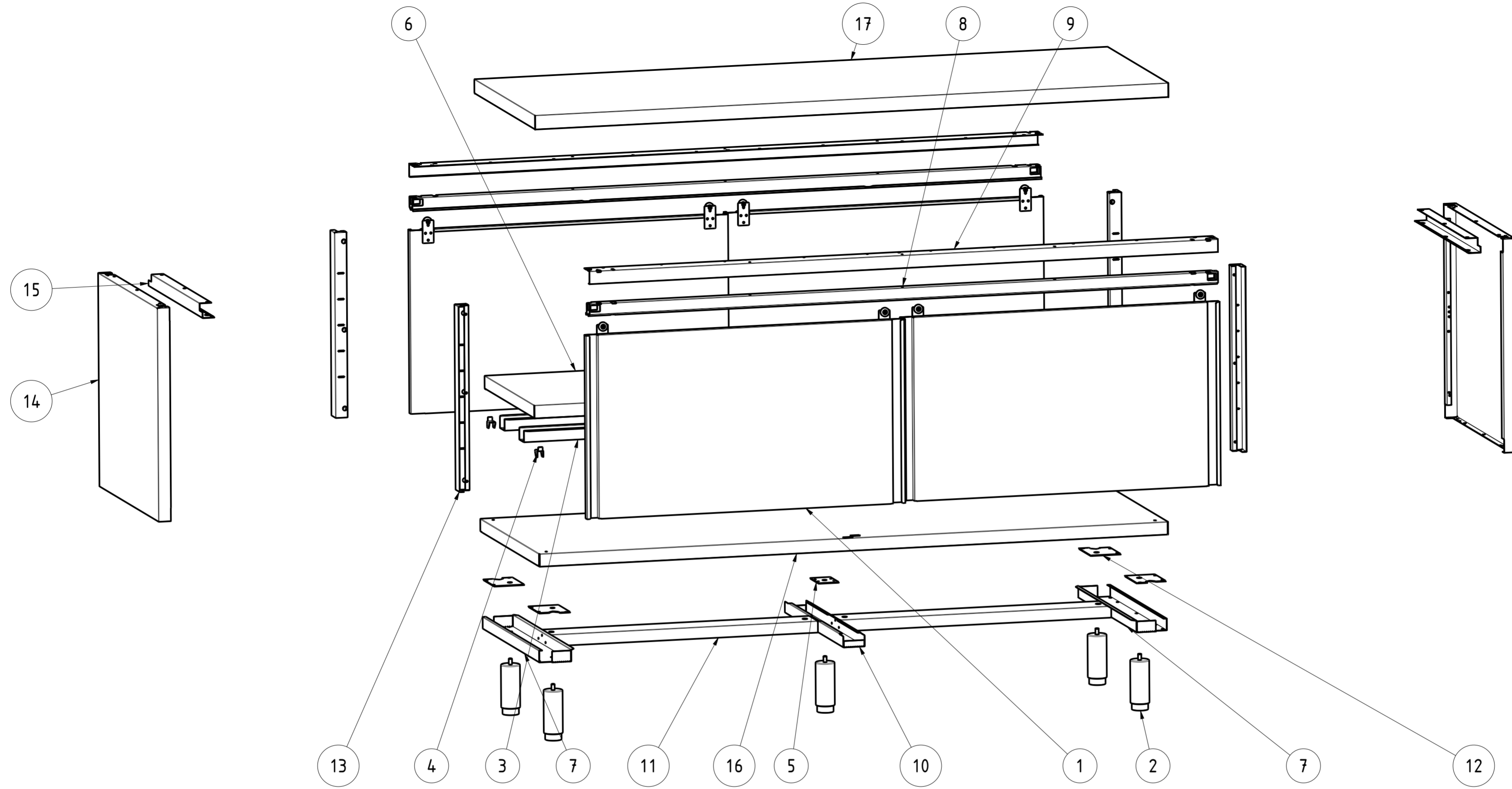


# EXPLOSIONSZEICHNUNG



KBS Gastrotechnik GmbH – Schoßbergstraße 26 – 65201 Wiesbaden



17	NT3940Q	1	TOP Q 200x70	TOP Q 200x70
16	NT4425	1	PIANO BASE TAP 200x70	BASE SHELF TAP 200x70
15	NT4151	2	COLLEGAMENTO MONTANTI P70	UPRIGHT CONNECTION P70
14	NT4149	2	FIANCO DX/SX TAVOLO SU FIANCHI/PASSANTE P70	RIGHT/LEFT SIDE TABLE ON SIDES P70
13	NT4147	4	MONTANTE ASOLATO	HOLED UPRIGHT
12	NT4144	4	PIASTRA RIV PIEDINO PORTA BATTENTE	PLATE EXTERNAL LEG HINGED DOOR
11	NT4064	2	OMEGA LONGITUDINALE (DIV.2) L200	LONGITUDINAL OMEGA L200
10	NT4033	1	OMEGA CENTR RIV. PIANO BASE P70	CENTRAL OMEGA BASE SHELF P70
9	NT3598	2	ANGOLARE SUPP. BINARIO L200	ANGULAR BINARY SUPPORT L200
8	NT3587	2	BINARIO TAVOLI ARMADIATI L200	BINARY L200
7	NT2450	2	OMEGA LATERALE PIANO BASE P70	LATERAL OMEGA BASE SHELF P70
6	NT2083	1	PIANO INTERNO REGOLABILE TAP TF 200x70	INTERNAL ADJUSTABLE SHELF TAP 200x70
5	NT335	1	PIASTRA RINFORZO PER GAMBA CENTRALE	PLATE CENTRAL LEG
4	NT330	4	STAFFA SUPPORTO RIPIANO INTERNO	GANCRIIP - INTERNAL SHELF SUPPORT BRACKET
3	NT189	2	OMEGA RINFORZO PIANO INTERNO L200	OMEGA SHELF RENINFORCEMENT L200
2	DSPIEDTA	5	PIEDINO PER TAVOLI ARMADIATI	FOOT FOR CABINET TABLES
1	APS_L200_H85	4	ASSIEME PORTE SCORREVOLI L200 H85	SLIDING DOORS ASSEMBLY L200 H85
ITEM NO	PART NUMBER	QTY	DESCRIPTION	

DATA DATE	MODIF. N. MODIF. NO.	DESCRIZIONE MODIFICHE MODIFICATION DESCRIPTION	DISegnATO DRAWN BY	APPROVATO APPROVED
MODELLO MODEL	TAVOLO PASSANTE 200x70 OPEN TABLE SLIDING DOORS 200x70		DISegno N. DRAWING NO. DSTAP207	SCALA SCALE -
PARTICOLARE DETAIL	SCHEDA TECNICA DATA SHEET		DISegnATO DRAWN BY M.PAPI	DATA DATE -
MATERIALE MATERIAL	SPESS. THICK.	APPROVATO APPROVED	SHEET 3 OF 4	
FINITURA FINISH	PEZZI N. PIECES NO.	SOSTITUISCE IL DIS. N. IT REPLACES DRAWING NO.	ULTIMA EMISS. LAST EDITION	
TRATTAMENTO TREATMENT	COLORE COLOUR	SOSTITUITO DAL DIS. N. REPLACED BY DRAWING NO.		
		RISTOPRO SRL FRAZ. BORGO TUFICO, 47 FABRIANO (AN) ITALY +39.732.043494 WWW.RISTOPRO.COM		

ELABORATO CON SISTEMA CAD DESIGNED BY CADSTEM  
 QUOTA PRIMARIA PRIMARY DIMENSION XX  
 ANGOLI Angles 30°  
 >500 ±0.75  
 400-500 ±0.65  
 315-400 ±0.60  
 250-315 ±0.55  
 180-250 ±0.50  
 120-180 ±0.45  
 80-120 ±0.40  
 50-80 ±0.35  
 30-50 ±0.30  
 10-30 ±0.25  
 5-10 ±0.15  
 0-5 ±0.10  
 TOLLERANZA UNLESS OTHERWISE STATED  
 QUOTE SENZA TOLLERANZA  
 LUNGHEZZE E DIAM. LENGTH AND DIAM.